

Illustrated Parts List

Model Series

96900 to 96999

TYPE NUMBER
0101 through 0160,
0213,
3101 through 3180,
4002, 4004, 4005,
7000 through 7051.

TO FIND
THE CORRECT NUMBER OF THE PART YOU NEED:
FOLLOW THE INSTRUCTIONS BELOW

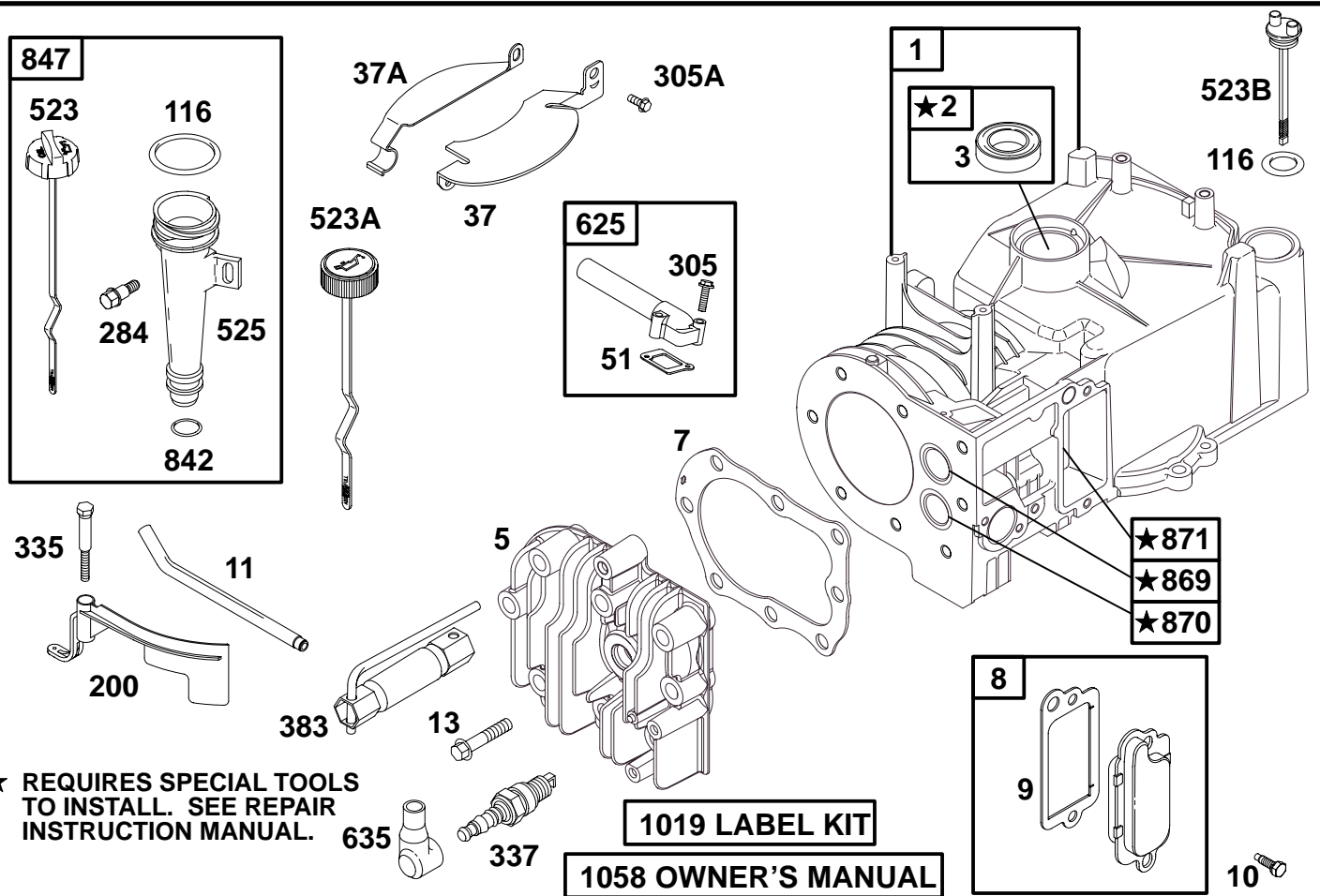
- A. Refer to Engine Model, Type and Code Number that is stamped on the blower housing of engine. Engine type numbers such as 0123 01 are listed only as 0123 in most instances. The two digits (01 or 02, etc.) to the right of the space may be required for more accurate parts identification in some instances. Select the Illustrated Parts List covering the correct Model Series and Type Number.
- B. Refer to the Illustrations and compare the original part with Illustration. The number next to the illustration is the Reference Number. Assemblies include all parts shown in frames. All parts shown in assembly frames having individual reference numbers can be purchased separately.
- C. After the Reference Number has been identified, refer to the Numerical text, where Reference and Primary Part Number are listed. **THE PRIMARY PART IS USED ON ALL TYPE NUMBERS EXCEPT THOSE TYPE NUMBERS UNDER "NOTE."**
- D. If a "Note" appears below the Primary Part Number, it means that this part differs from the Primary Part for certain types. If your Type number is listed under "Note," order the part referred to at the "Note."
- E. If your Engine Type Number does not appear after any part number listed under "Note," use the Primary Part Number.
- F. For Engine Type Numbers not covered by this book, check other Parts Lists having the same engine model or contact your source of supply.

PRINTED IN U.S.A.



COPYRIGHT by BRIGGS & STRATTON CORPORATION
All rights reserved. No part of this material may be reproduced or transmitted, in any form or by any means, electronic or mechanical, including photocopying, recording or by any information storage and retrieval system, without permission in writing from Briggs & Stratton Corporation.

96900 to 96999

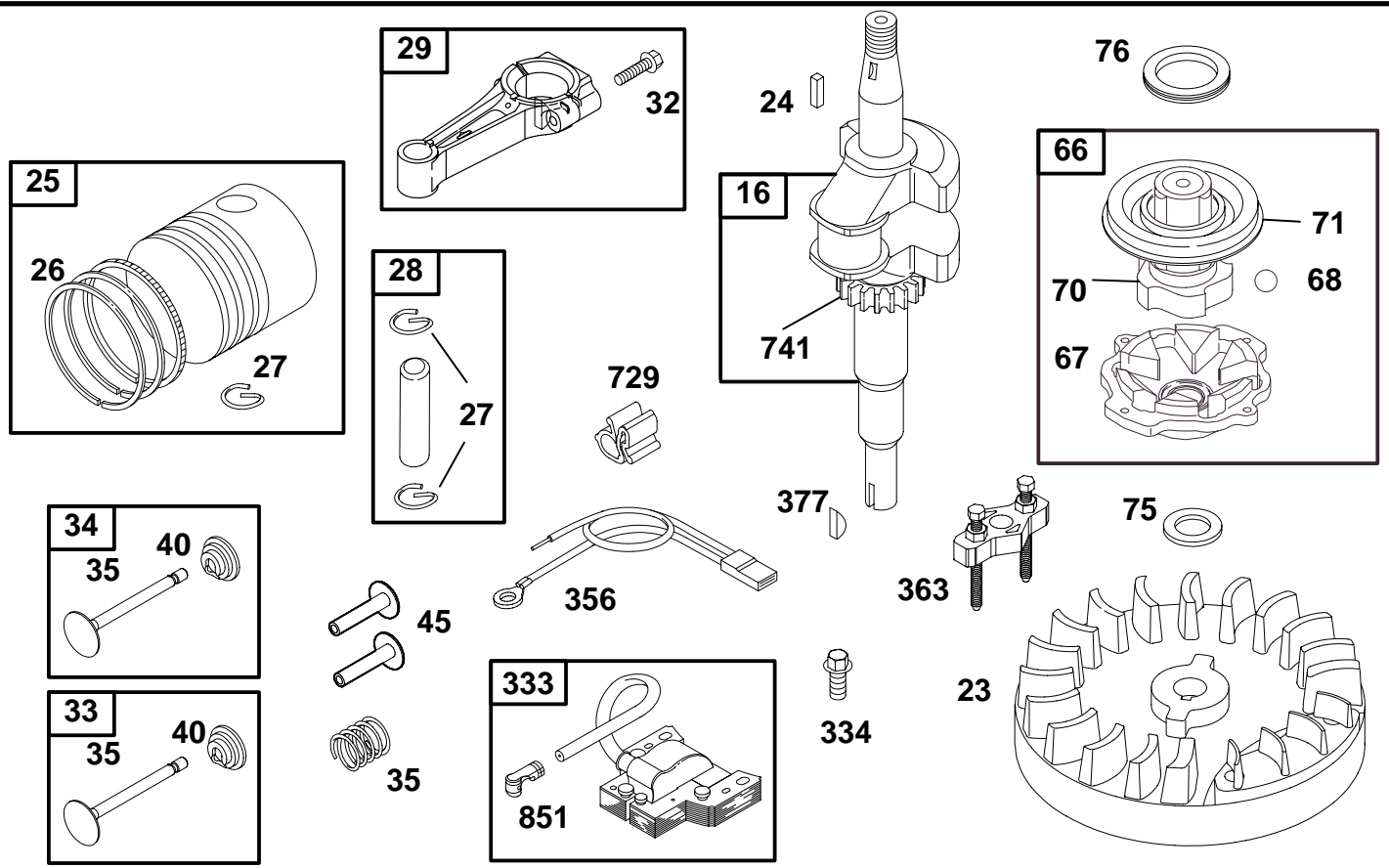


★ REQUIRES SPECIAL TOOLS TO INSTALL. SEE REPAIR INSTRUCTION MANUAL.

REF. NO.	PART NO.	DESCRIPTION	REF. NO.	PART NO.	DESCRIPTION	REF. NO.	PART NO.	DESCRIPTION		
1	399164	Cylinder Assembly	116	270920	Seal-O-Ring	523B	281081	Dipstick		
2	293708	Bushing	200	281024	Blade-Governor	525	280578	Tube-Oil Fill		
3	★299819	Seal-Oil	284	94073	Screw-Shoulder	625	298775	Manifold-Intake		
5	213942	Head-Cylinder	305	93485	Screw-Hex.	635	66538	Boot-Spark Plug		
7	∅★272536	Gasket-Cylinder Head	305A	94153	Screw-Hex.	729	280470	Clip-Wire		
8	495785	Breather-Assembly	335	94732	Screw-Shoulder	842	★271485	Seal-O-Ring		
9	∅★272602	Gasket-Breather	337	802592	Plug-Spark (Resistor Type)	847		Dipstick/Tube Assembly		
10	94621	Screw-Hex.			Note			See Last Pages.		
11	231774	Tube-Breather			492167			869	211172	Seat-Valve (Intake)
13	94960	Screw-Hex. (1-15/16" Long)	383	89838	Wrench-Spark Plug	870	211291	Seat-Valve (Exhaust)		
37	223150	Guard-Flywheel	523	497968	Dipstick (Used After Code Date 95101500).	871	231348	Bushing-Guide (Exhaust)		
37A	224819	Guard-Flywheel (Used After Code Date 92110100).			Note			Note		
		Note			497306			63709	Bushing-Guide (Intake)	
		222403			Dipstick (Used Before Code Date 95101600).					
		Guard-Flywheel (Used Before Code Date 92110200).	523A	495234	Dipstick (Used Before Code Date 95030600).	1019	496757	Label Kit		
51	★270345	Gasket-Intake				1058	272308	Owner's Manual		

★ Included in Gasket Set-Part No. 298989.

∅ Included in Gasket Set-Valve Overhaul-Part No. 498526.

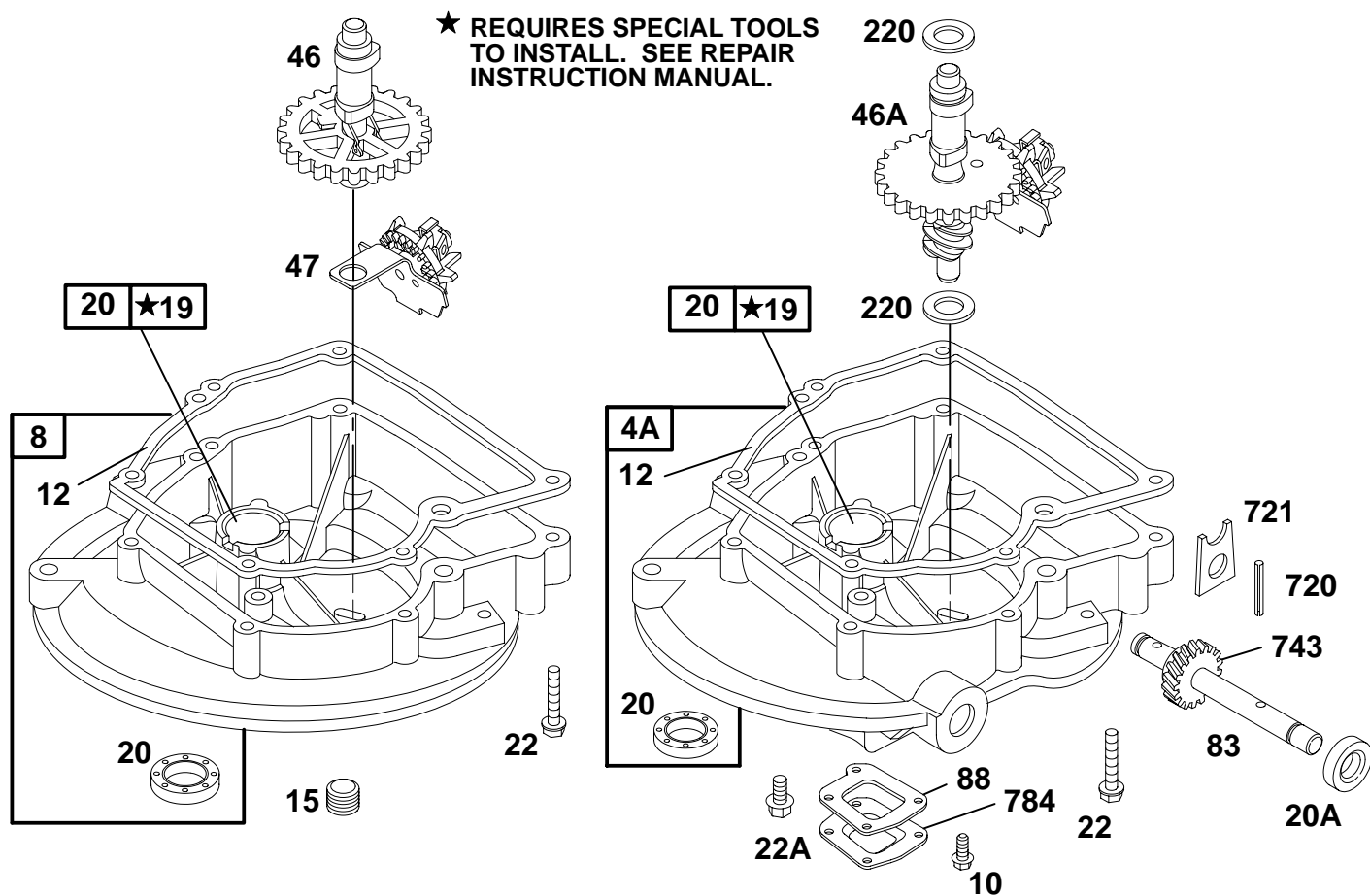


REF. NO.	PART NO.	DESCRIPTION	REF. NO.	PART NO.	DESCRIPTION	REF. NO.	PART NO.	DESCRIPTION
16		Crankshaft See Last Pages.	29	294201	Rod-Connecting Note	76	68238	Seal
23	495046	Flywheel Note		296079	Rod-Conn. (.020" Undersize)	333	496914	Armature-Magneto
		496278 Flywheel Used on Type No(s). 0110, 0111, 0114, 0123, 0129, 0155, 0156, 0157, 4002, 4004, 4005.	32	94699	Screw-Hex.	334	94731	Screw-Hex.
24	222698	Key-Flywheel	33	296676	Valve-Exhaust	356	398808	Wire-Stop Note
25		Piston Assy. See Last Pages	34	296677	Valve-Intake			496381 Wire-Stop (Used After Code Date 93080100).
26		Ring Set See Last Pages	35	260552	Spring-Valve			494934 Wire-Stop (Used Before Code Date 93080200).
27	26026	Lock-Piston Pin	40	93312	Retainer-Valve			Used on Type No(s). 3135, 3154.
28	298909	Pin-Piston (Standard) Note	45	230173	Tappet-Valve	363	19069	Flywheel-Puller
		298908 Pin-Piston (.005" O.S.)	66	399671	Clutch-Starter	377	93065	Key-Woodruff
			67	394897	Housing-Clutch	729	280470	Clip-Wire
			68	63770	Ball-Clutch	741	261533	Gear-Timing
			70	298799	Ratchet-Clutch	851	493880	Terminal-Cable
			71	394506	Cover-Ratchet			
			75	223047	Washer			

★ Included in Gasket Set-Part No. 298989.

⊘ Included in Gasket Set-Valve Overhaul-Part No. 498526.

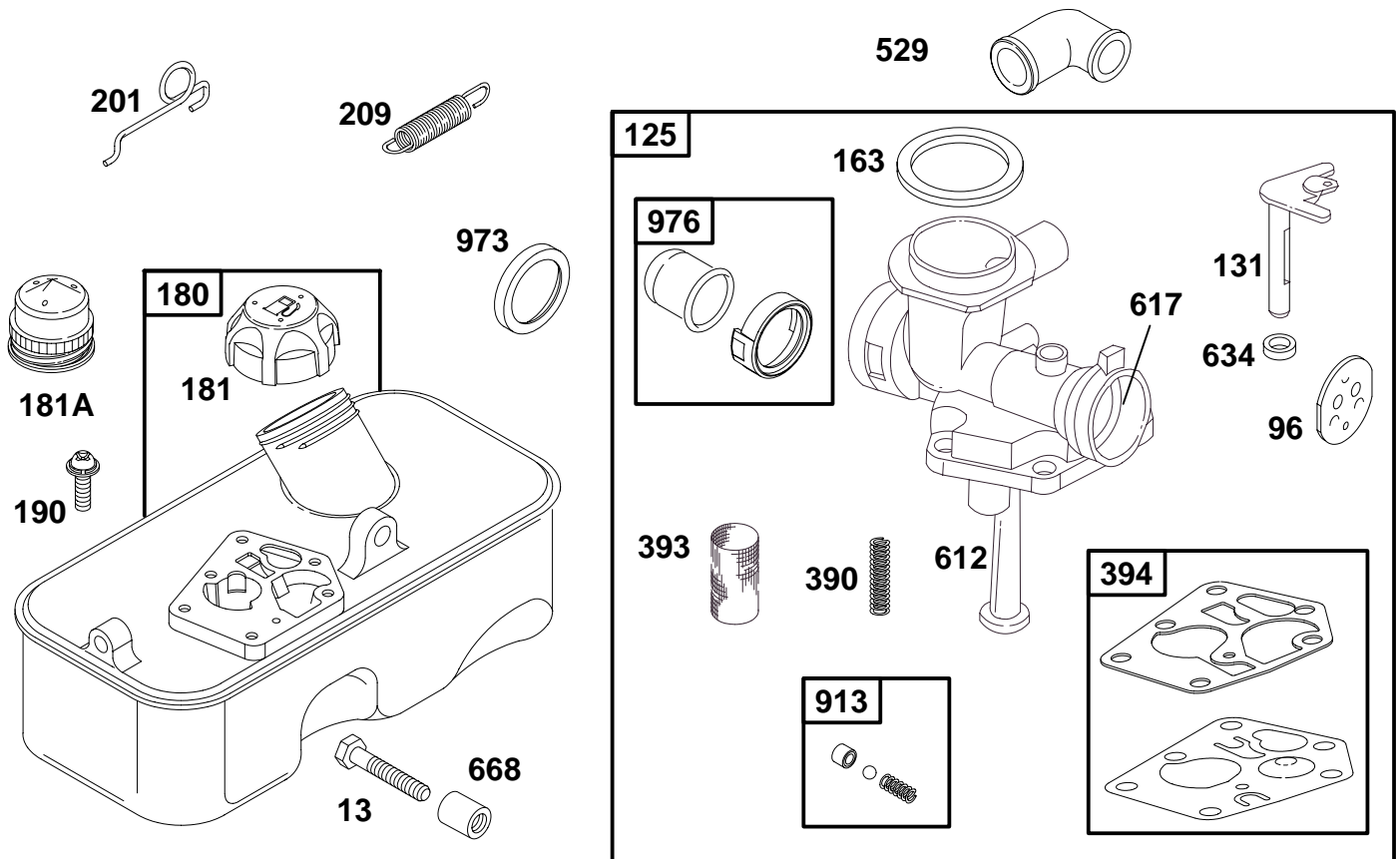
96900 to 96999



REF. NO.	PART NO.	DESCRIPTION	REF. NO.	PART NO.	DESCRIPTION	REF. NO.	PART NO.	DESCRIPTION
4	395384	Sump-Engine	46	493747	Gear-Cam	88	★270328	Gasket-Cover
4A	395390	Sump-Engine Used on Model Series 96980 to 96989.	46A	396197	Gear-Cam (Clockwise)	220	68938	Washer-Thrust
10	94621	Screw-Hex.			————— Note —————	720	93474	Pin-Shaft
12	★270833	Gasket-Crankcase (.015" Thick, Standard)			395317 Gear-Cam (Counterclockwise) Used on Type No(s). 0127, 3114, 3121, 3131, 3133, 3134, 3149, 3152, 3159, 3164, 3175, 7050.	721	221779	Stop-Shaft
		★270895 Gasket-Crankcase (.005" Thick)	47	491688	Slinger-Oil	743	231278	Gear-Drive
		★270896 Gasket-Crankcase (.009" Thick)	83	230831	Shaft-Auxiliary Drive			————— Note —————
15	94720	Plug-Oil Drain			————— Note —————			231279 Gear-Drive Used on Type No(s). 0127, 3114, 3121, 3131, 3133, 3134, 3149, 3152, 3159, 3164, 3175, 7050.
19	293709	Bushing			231213 Shaft-Auxiliary Drive Used on Type No(s). 0127, 3131, 3159, 3164.	784	221780	Cover-Gear
20	★391483	Seal-Oil						
20A	391484	Seal-Oil						
22	94682	Screw-Hex.						
22A	93415	Screw-Hex. Used on Model Series 96980 to 96989.						

★ Included in Gasket Set-Part No. 298989.

⊗ Included in Gasket Set-Valve Overhaul-Part No. 498526.

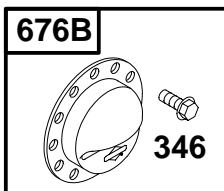
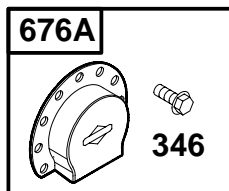
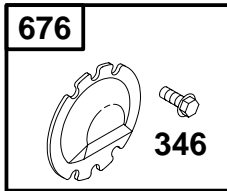
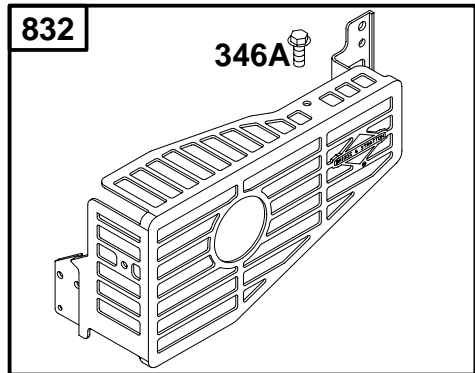
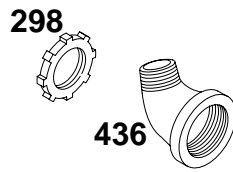
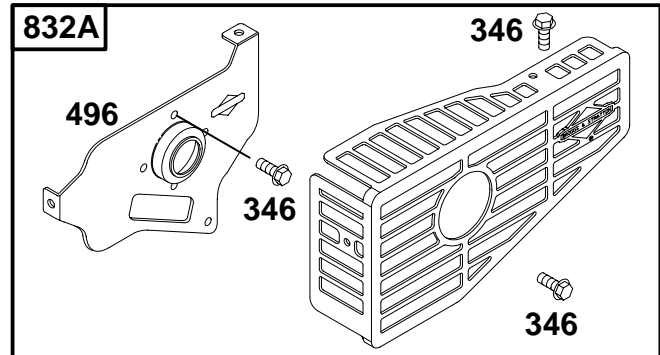
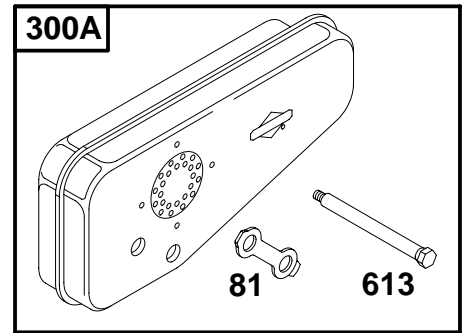
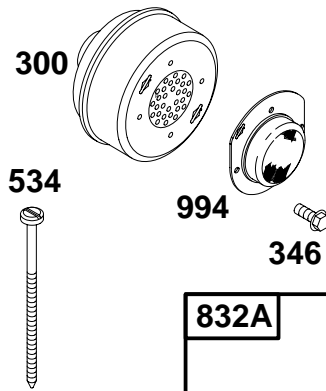
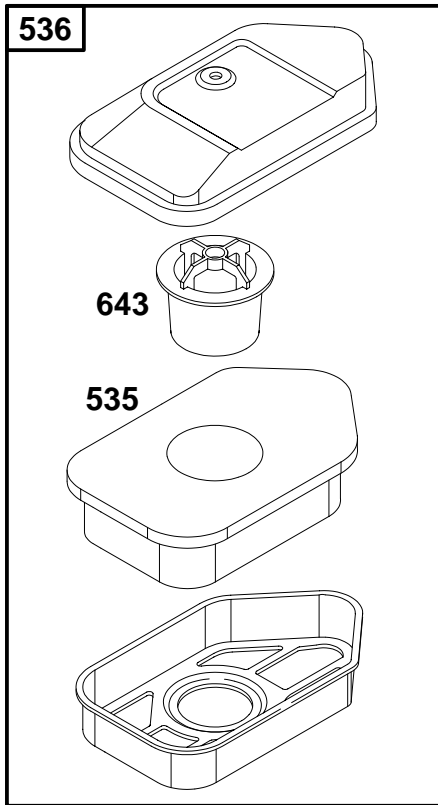


REF. NO.	PART NO.	DESCRIPTION	REF. NO.	PART NO.	DESCRIPTION	REF. NO.	PART NO.	DESCRIPTION
13	93111	Screw-Hex.	181A	493982	Cap-Fuel Tank	668	94047	Spacer-Fuel Tank (Used on Engines Without Band Brake)
96	224412	Valve-Throttle	190	93440	Screw-Phillips			Note
125	498809	Carburetor (Used After Code Date 96051900).	201	262753	Link-Air Vane			94038 Spacer (Used on Engines With Band Brake)
		Note	209		Spring-Governor See Last Pages.			
		494775 Carburetor (Used Before Code Date 96052900).	390	262764	Spring-Diaphragm			
131	281047	Shaft-Throttle	393	262734	Screen-Carburetor	913	494409	Seat-Check Valve
163	★271139	Gasket-Air Cleaner	394	495770	Diaphragm-Carburetor	973	281661	Ring-Trim (Primer Bulb)
180	494406	Tank-Fuel	529	67838	Grommet	976	494408	Primer-Carburetor
181	497929	Cap-Fuel Tank	612	496046	Tube-Pickup			
			617	270344	Seal-Intake Manifold			
			634	280566	Washer-Foam			

★ Included in Gasket Set-Part No. 298989.

⊗ Included in Gasket Set-Valve Overhaul-Part No. 498526.

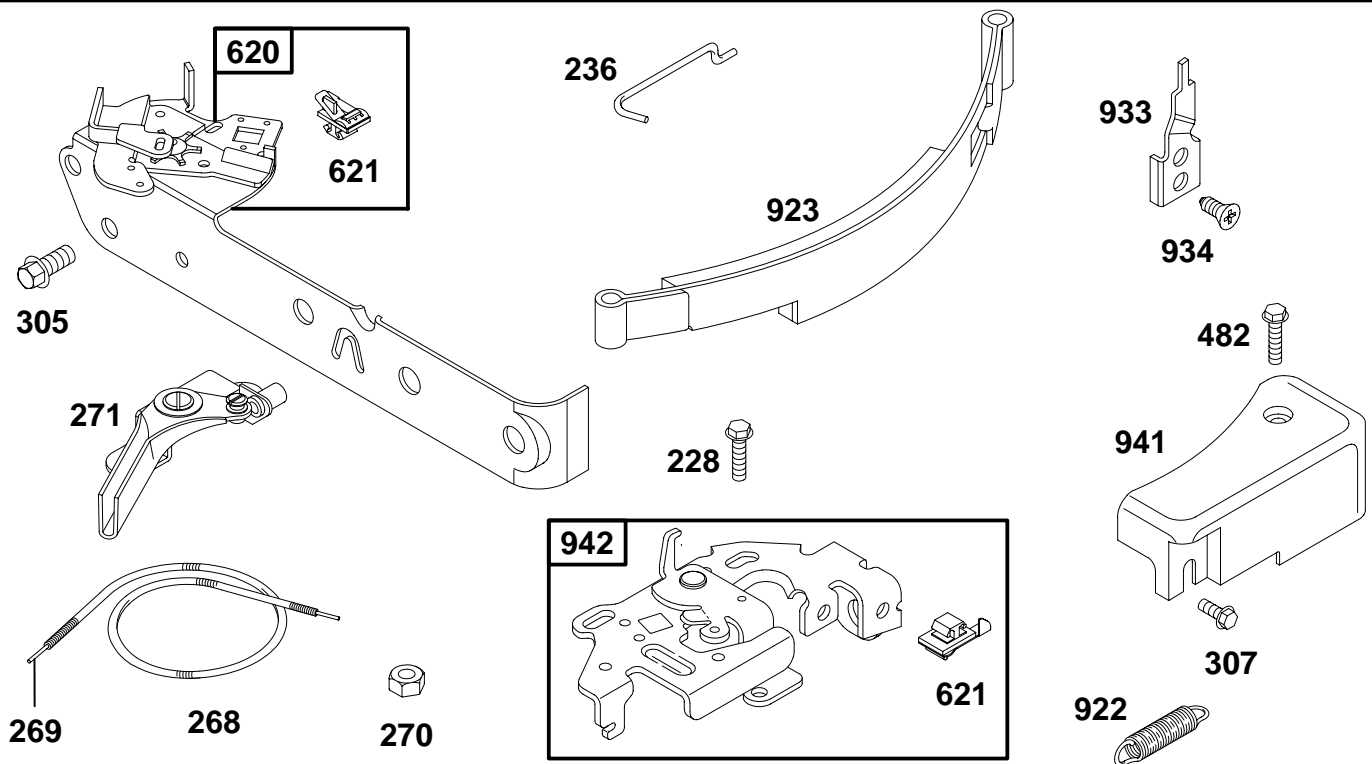
96900 to 96999



REF. NO.	PART NO.	DESCRIPTION	REF. NO.	PART NO.	DESCRIPTION	REF. NO.	PART NO.	DESCRIPTION
81	223256	Lock-Muffler Screw	436	92989	Manifold-Exhaust	676	393756	Deflector-Muffler
298	220859	Locknut-Muffler	496	223600	Bracket-Guard	676A	393760	Deflector-Muffler
300	394569	Muffler-Exhaust (Lo Tone)	534	93865	Screw-Slotted	676B	396548	Deflector-Muffler
300A	394644	Muffler-Exhaust	535	272235	Filter-Air	832	494896	Guard-Muffler
346	93705	Screw-Hex.	536	493492	Cleaner-Air	832A	493967	Guard-Muffler
346A	94602	Screw-Hex.	613	93935	Screw-Shoulder	994	398067	Arrester-Spark
			643	280972	Retainer-Air Cleaner			

★ Included in Gasket Set-Part No. 298989.

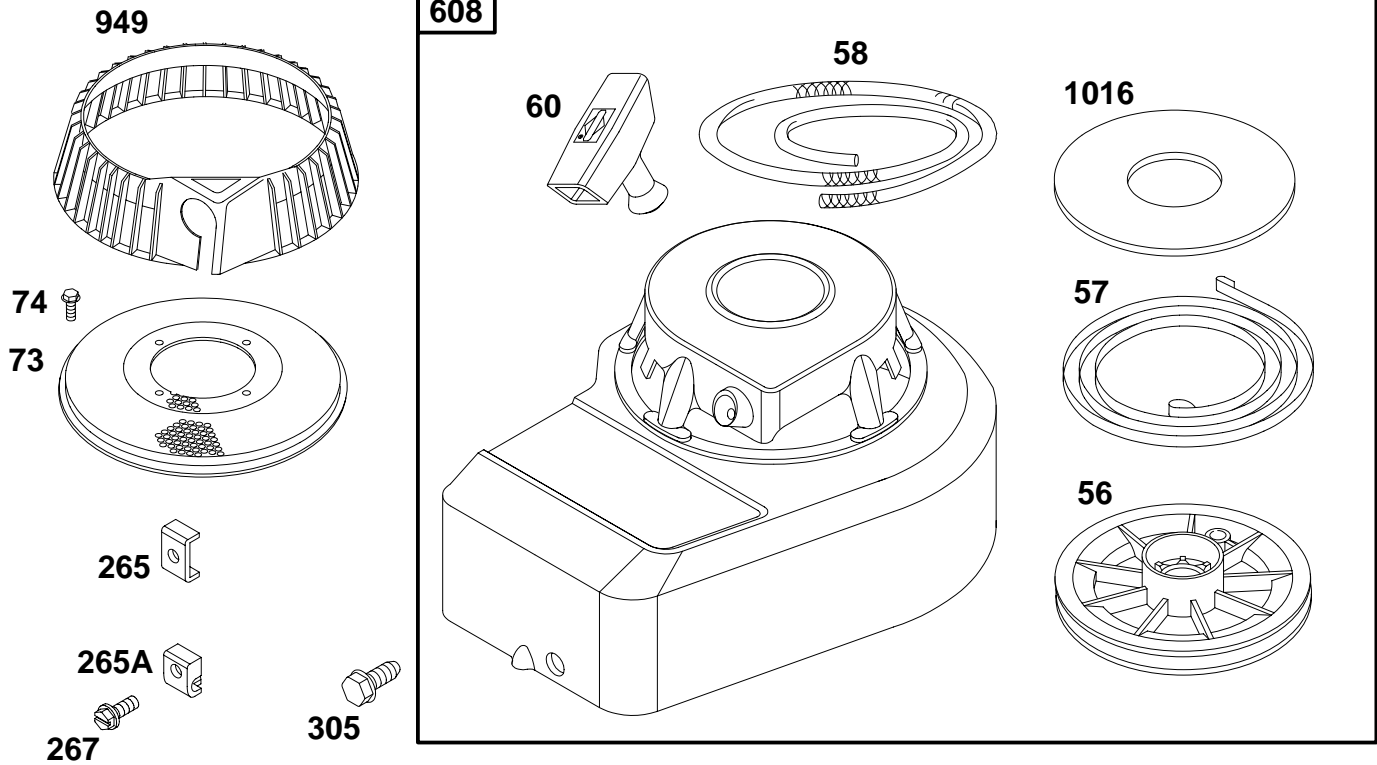
⊘ Included in Gasket Set-Valve Overhaul-Part No. 498526.



REF. NO.	PART NO.	DESCRIPTION	REF. NO.	PART NO.	DESCRIPTION	REF. NO.	PART NO.	DESCRIPTION	
228	94018	Screw-Hex.		494629	Bracket-Control (Used Before Code Date 92070700).		495486	Bracket-Control (Used After Code Date 92060700).	
236	262461	Link-Lock-Out					494631	Bracket-Control (Used Before Code Date 92060800). Used on Type No(s). 3126, 3135, 3144, 3148.	
268	66986	Casing-Wire (48" Long)					495485	Bracket-Control (Used After Code Date 92070600).	
		Note					494632	Bracket-Control (Used Before Code Date 92070700). Used on Type No(s). 0111, 0113, 0114, 0213, 7015, 7016, 7018, 7050, 7051.	
		If Longer Casing is Required, Specify Length in Inches; if Shorter Casing is Needed, Cut to Required Length.					621	396847	Switch-Stop
269	26099	Wire-Control (54" Long)					922	261647	Spring-Brake
		Note					923	394867	Brake
		If Longer Wire is Needed, Specify Length in Inches; if Shorter Wire is Needed, Cut to Required Length.					933	223448	Pivot-Band Brake
270	63426	Locknut-Casing					934	94037	Screw-Phillips
271	290568	Lever-Control					941	280395	Cover-Linkage
305	94153	Screw-Hex.					942	493248	Bracket-Brake
307	94515	Screw-Hex.							
482	93621	Screw-Hex.							
620	495485	Bracket-Control (Used After Code Date 92070600).							

* Included in Gasket Set-Part No. 298989.

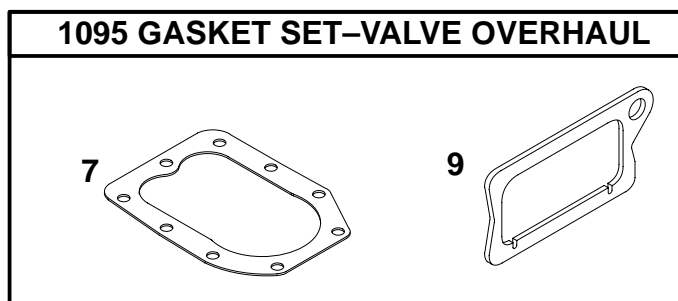
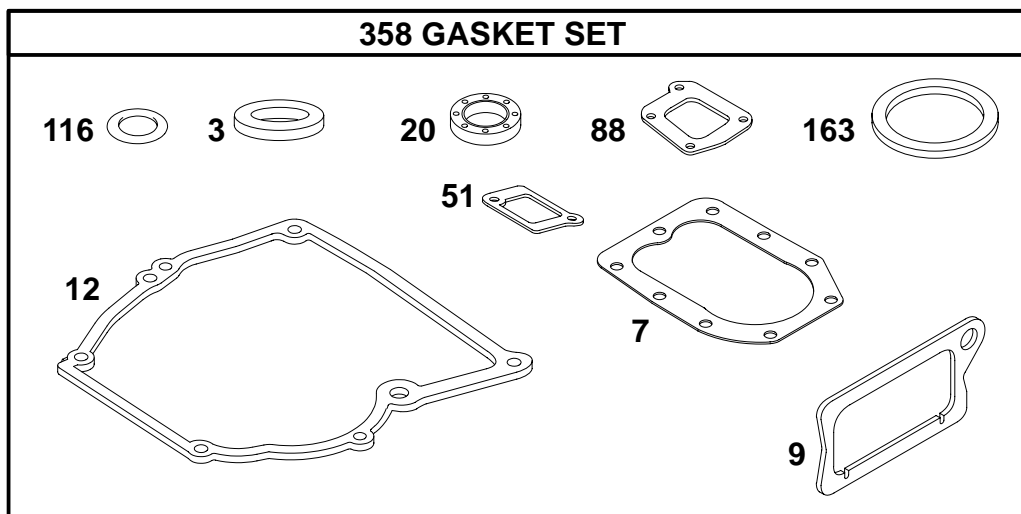
Ø Included in Gasket Set-Valve Overhaul-Part No. 498526.



REF. NO.	PART NO.	DESCRIPTION	REF. NO.	PART NO.	DESCRIPTION	REF. NO.	PART NO.	DESCRIPTION
56	280439	Pulley—Starter	60	393152	Grip—Starter Rope	949	281192	Guard—Rewind (Used After Code Date 91080400).
57	490179	Spring—Rewind Starter	73	221661	Screen—Rotating			Note ———
58	280406	Rope—Starter (Cut to Required Length)	74	93758	Screw—Hex.			280684 Guard—Rewind (Used Before Code Date 91080500).
		Note ———	265	22372	Clamp—Casing	1016	490817	Spacer—Rewind
		280399 Rope—Starter (Cut to Required Length)	265A	213146	Clamp—Casing			
			267	94694	Screw—Hex.			
			305	94153	Screw—Hex.			
			608		Starter—Rewind See Last Pages.			

★ Included in Gasket Set—Part No. 298989.

∅ Included in Gasket Set—Valve Overhaul—Part No. 498526.



REF. NO.	PART NO.	DESCRIPTION	REF. NO.	PART NO.	DESCRIPTION	REF. NO.	PART NO.	DESCRIPTION
3	★299819	Seal-Oil	12	★270833	Gasket-Crankcase (.015")	20	★391483	Seal-Oil
7	∅★272536	Gasket-Cylinder Head		★270895	Gasket-Crankcase (.005")	51	★270345	Gasket-Intake
9	∅★272602	Gasket-Breather		★270896	Gasket-Crankcase (.009")	88	★270328	Gasket-Cover
						116	★271485	Seal-O-Ring
						163	★271139	Gasket-Air Cleaner
						358	298989	Gasket Set
						1095	498526	Gasket Set-Valve Overhaul

★ Included in Gasket Set-Part No. 298989.

∅ Included in Gasket Set-Valve Overhaul-Part No. 498526.

96900 to 96999

REF. NO.	PART NO.	DESCRIPTION	REF. NO.	PART NO.	DESCRIPTION	REF. NO.	PART NO.	DESCRIPTION					
16	492748	Crankshaft Note To Replace Crankshaft Gear Pin— Order Part No. 499047 . 492086 Crankshaft Used on Type No(s). 0106, 0109, 0119, 0120, 0122, 0123, 0127, 0129, 0130, 0155, 0213, 3106, 3111, 3112, 3118, 3121, 3126, 3127, 3128, 3142, 3143, 3144, 3148, 3149, 3156, 3162, 4005, 7016. 493618 Crankshaft Used on Type No(s). 3139. 494564 Crankshaft Used on Type No(s). 0124, 0156, 3120, 3124, 3137, 3146, 3150, 7018.	26	498680	298907 Piston Assy. (.030" O.S.) (Used Before Code Date 96020600). Ring Set (Standard) (Used After Code Date 96020500). 498681 Ring Set (.010" O.S.) (Used After Code Date 96020500). 498682 Ring Set (.020" O.S.) (Used After Code Date 96020500). 498683 Ring Set (.030" O.S.) (Used After Code Date 96020500). Note 298982 Ring Set (Standard) (Used Before Code Date 96020600). 298983 Ring Set (.010" O.S.) (Used Before Code Date 96020600). 298984 Ring Set (.020" O.S.) (Used Before Code Date 96020600). 298985 Ring Set (.030" O.S.) (Used Before Code Date 96020600).	209	262760	Spring—Governor (Used After Code Date 93013100). 262759 Spring—Gov. (Used Before Code Date 93020100). Note 262759 Spring—Gov. (Used After Code Date 93013100). 262757 Spring—Gov. (Used Before Code Date 93020100). Used on Type No(s). 3120, 3124, 3126, 3127, 3129, 3131, 3137, 3142, 3143, 3148, 3159, 3162, 7015, 7016, 7018.					262759 Spring—Gov. (Used After Code Date 93013100). 262756 Spring—Gov. (Used Before Code Date 93020100). Used on Type No(s). 3133. 262760 Spring—Gov. Used on Type No(s). 0105, 0110, 0160. 262761 Spring—Gov. (Used After Code Date 93013100). 262759 Spring—Gov. (Used Before Code Date 93020100). Used on Type No(s). 0108, 0117, 0118, 3139, 3140, 3150, 3151. 262762 Spring—Gov. (Used After Code Date 93013100). 262760 Spring—Gov. (Used Before Code Date 93020100). Used on Type No(s). 3118, 3135, 3154. 262942 Spring—Gov. (Used After Code Date 93013100). 262762 Spring—Gov. (Used Before Code Date 93020100). Used on Type No(s). 0107, 0116, 0122, 0124, 0129, 0156, 0159, 0213. 262943 Spring—Gov. (Used After Code Date 93013100). 262761 Spring—Gov. (Used Before Code Date 93020100). Used on Type No(s). 0113, 0123, 0157, 4002.
25	498668	Piston Assy. (Standard) (Used After Code Date 96020500). 498669 Piston Assy. (.010" O.S.) (Used After Code Date 96020500). 498670 Piston Assy. (.020" O.S.) (Used After Code Date 96020500). 498671 Piston Assy. (.030" O.S.) (Used After Code Date 96020500). Note 298904 Piston Assy. (Standard) (Used Before Code Date 96020600). 298905 Piston Assy. (.010" O.S.) (Used Before Code Date 96020600). 298906 Piston Assy. (.020" O.S.) (Used Before Code Date 96020600).											

★ Included in Gasket Set—Part No. 298989.

96900 to 96999

REF. NO.	PART NO.	DESCRIPTION	REF. NO.	PART NO.	DESCRIPTION	REF. NO.	PART NO.	DESCRIPTION		
608	497803	<p>Rewind Starters for Band Brake Engines</p> <p>(12 o’Clock) Starter–Rewind (Used After Code Date 95071300). 494402 Starter–Rewind (Used Before Code Date 95071400).</p> <p>(3 o’Clock) 497806 Starter–Rewind (Used After Code Date 95071300). 494738 Starter–Rewind (Used Before Code Date 95071400).</p> <p>(5 o’Clock) 497805 Starter–Rewind (Used After Code Date 95071300). 494495 Starter–Rewind (Used Before Code Date 95071400). ———— Note ———— 497788 Starter–Rewind (Used After Code Date 95071300). 493748 Starter–Rewind (Used Before Code Date 95071400). Used on Type No(s). 0155.</p> <p>(6 o’Clock) 497802 Starter–Rewind (Used After Code Date 95071300). 494291 Starter–Rewind (Used Before Code Date 95071400).</p>			<p>(8 o’Clock) 494456 Starter–Rewind (Used Before Code Date 95071400). Used on Type No(s). 3118.</p> <p>(11 o’Clock) 497807 Starter–Rewind (Used After Code Date 95071300). 494913 Starter–Rewind (Used Before Code Date 95071400).</p> <p>Rewind Starters for Non–Band Brake Engines</p> <p>(12 o’Clock) 497784 Starter–Rewind (Used After Code Date 95071300). 493469 Starter–Rewind (Used Before Code Date 95071400).</p> <p>(3 o’Clock) 497792 Starter–Rewind (Used After Code Date 95071300). 494571 Starter–Rewind (Used Before Code Date 95071400).</p> <p>(4 o’Clock) 497791 Starter–Rewind (Used After Code Date 95071300). 494143 Starter–Rewind (Used Before Code Date 95071400).</p>		<p>(5 o’Clock) 497788 Starter–Rewind (Used After Code Date 95071300). 495825 Starter–Rewind (Used Before Code Date 94072000). Used on Type No(s). 0109.</p> <p>(6 o’Clock) 497787 Starter–Rewind (Used After Code Date 95071300). 494123 Starter–Rewind (Used Before Code Date 95071400).</p> <p>(8 o’Clock) 497786 Starter–Rewind (Used After Code Date 95071300). 493594 Starter–Rewind (Used Before Code Date 95071400).</p> <p>(9 o’Clock) 497785 Starter–Rewind (Used After Code Date 95071300). 493565 Starter–Rewind (Used Before Code Date 95071400).</p>	847	497969	<p>Dipstick/Tube Assembly (Used After Code Date 95101500). ———— Note ———— 497306 Dipstick (Used After Code Date 95030500 and Before Code Date 95101600). 399030 Dipstick/Tube Assembly (Used Before Code Date 95030600).</p>

★ Included in Gasket Set–Part No. 298989.