



0 24847 08883 0

**98900**

# Illustrated Parts List

## Model Series

# 98900

TYPE NUMBERS  
0101 through 2251.

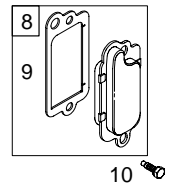
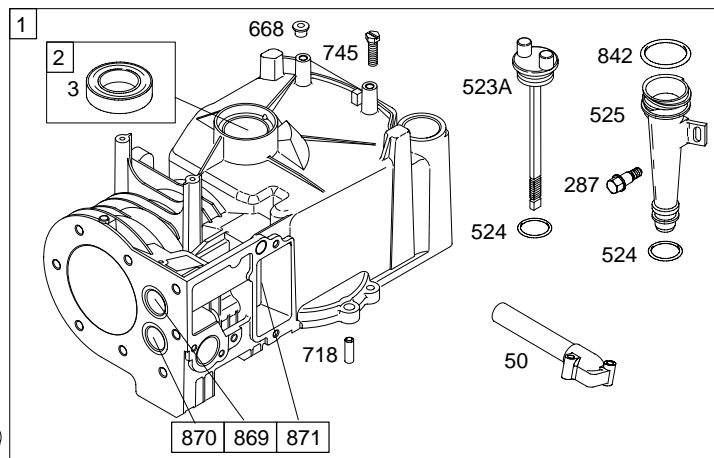
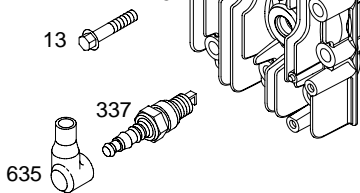
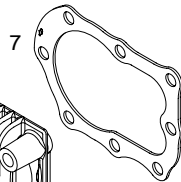
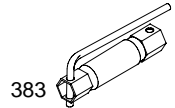
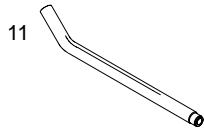
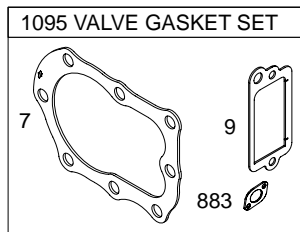
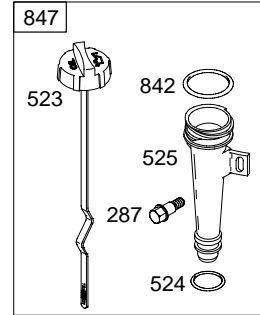
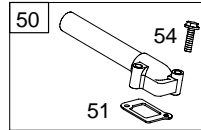
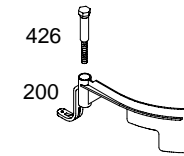
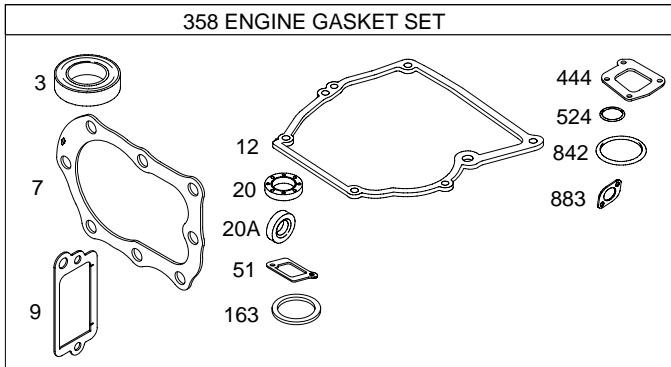
### TABLE OF CONTENTS

Air Cleaner .....	6
Blower Housing .....	7
Brake .....	9
Cams .....	3
Carburetor .....	4
Controls .....	5
Covers .....	7
Crankcase Cover/Sump .....	3
Crankshaft .....	3
Cylinder .....	2
Flywheel .....	7
Fuel Tank .....	4
Governor Spring .....	5
Head .....	2
Ignition .....	5
Kits/Gaskets .....	2
Muffler .....	6
Oil Group .....	2
Piston Group .....	3
Rewind/Blower Housing 1 .....	8
Rewind/Blower Housing 2 .....	9
Valves .....	3

PRINTED IN U.S.A.



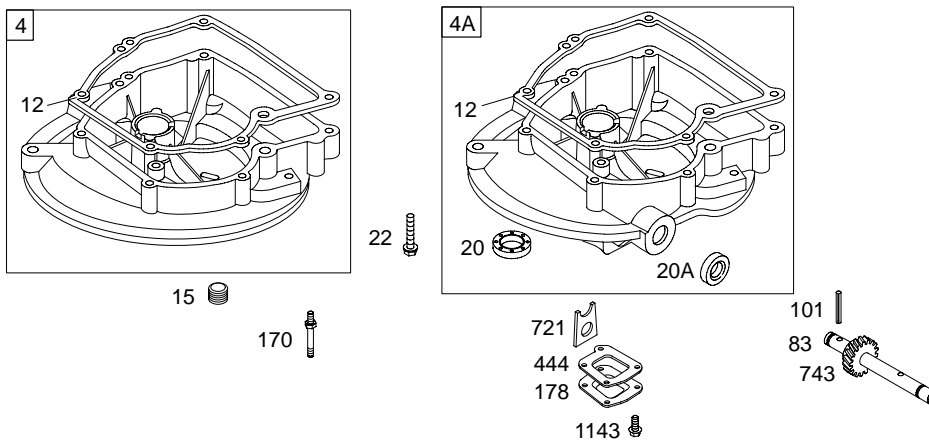
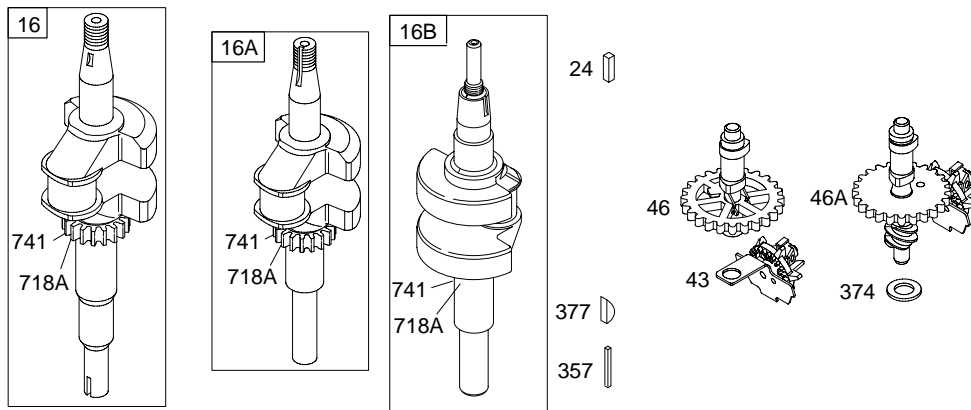
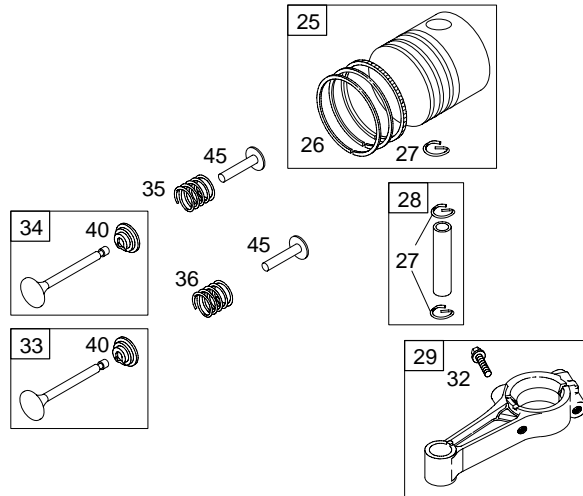
COPYRIGHT by BRIGGS & STRATTON CORPORATION  
All rights reserved. No part of this material may be reproduced or transmitted, in any form or by any means, electronic or mechanical, including photocopying, recording or by any information storage and retrieval system, without permission in writing from Briggs & Stratton Corporation.



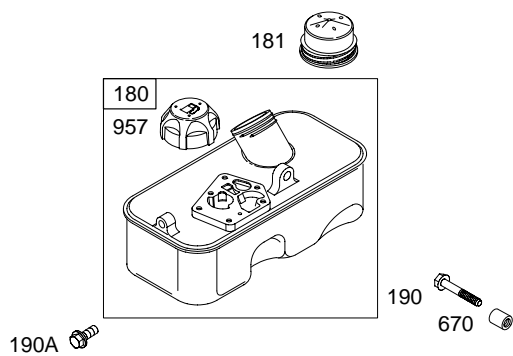
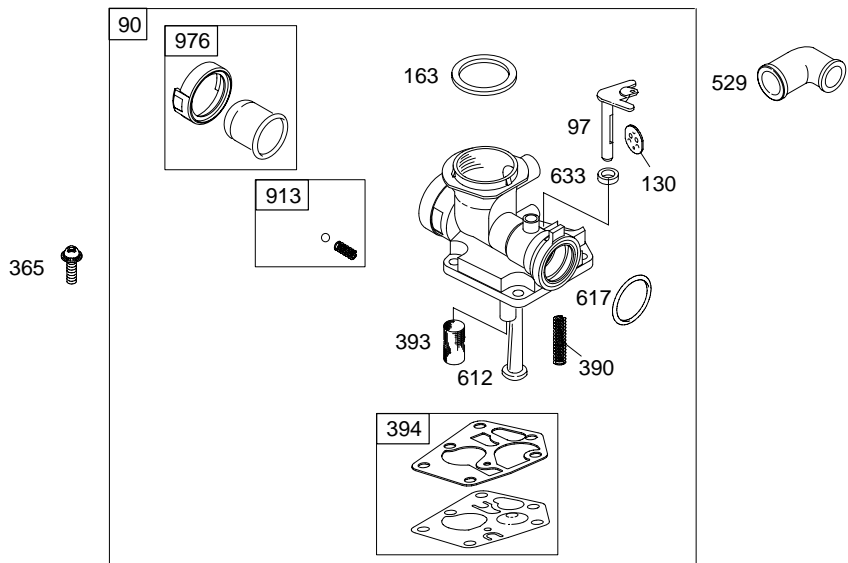
1019 LABEL KIT

1058 OWNER'S MANUAL

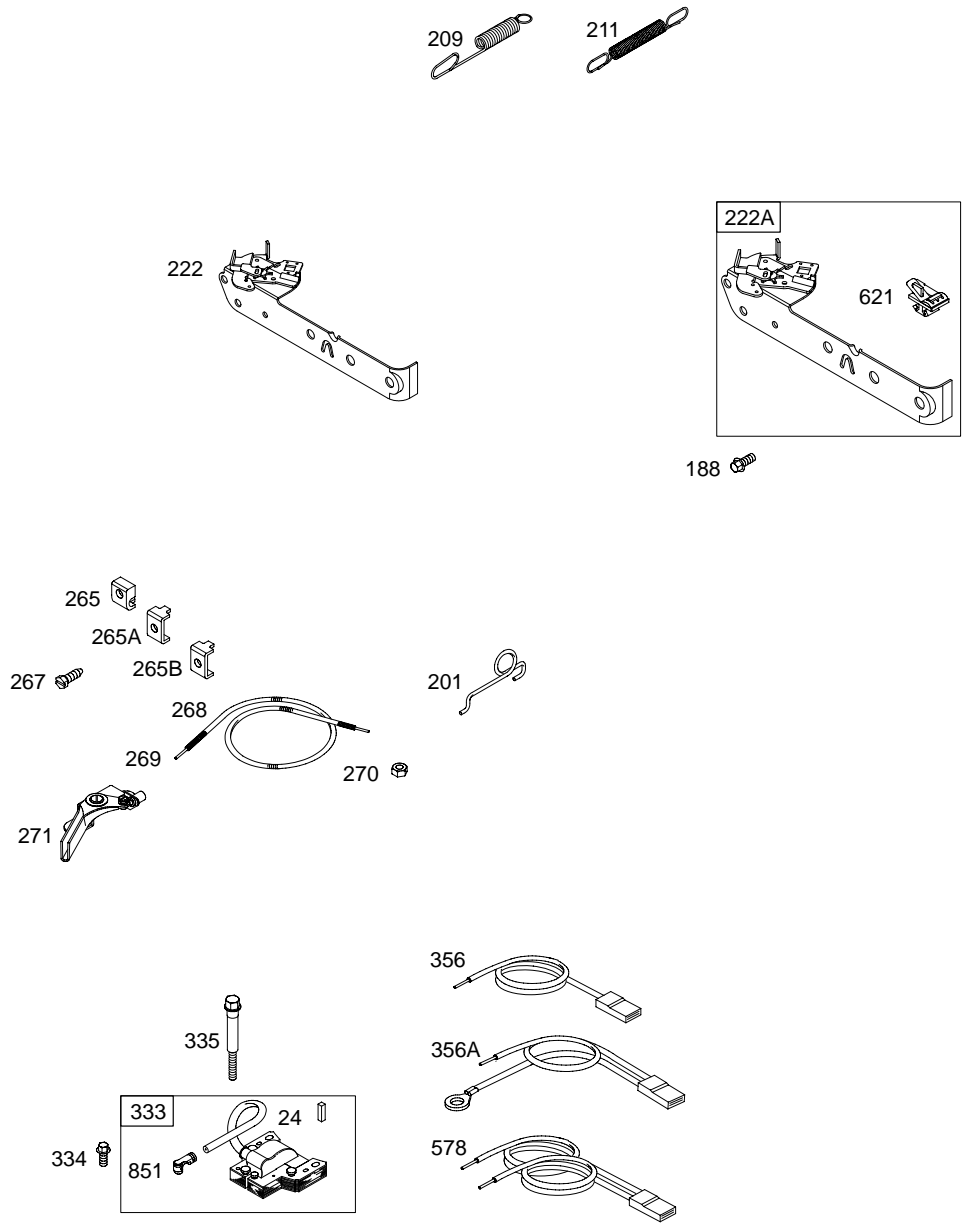
1330 REPAIR MANUAL



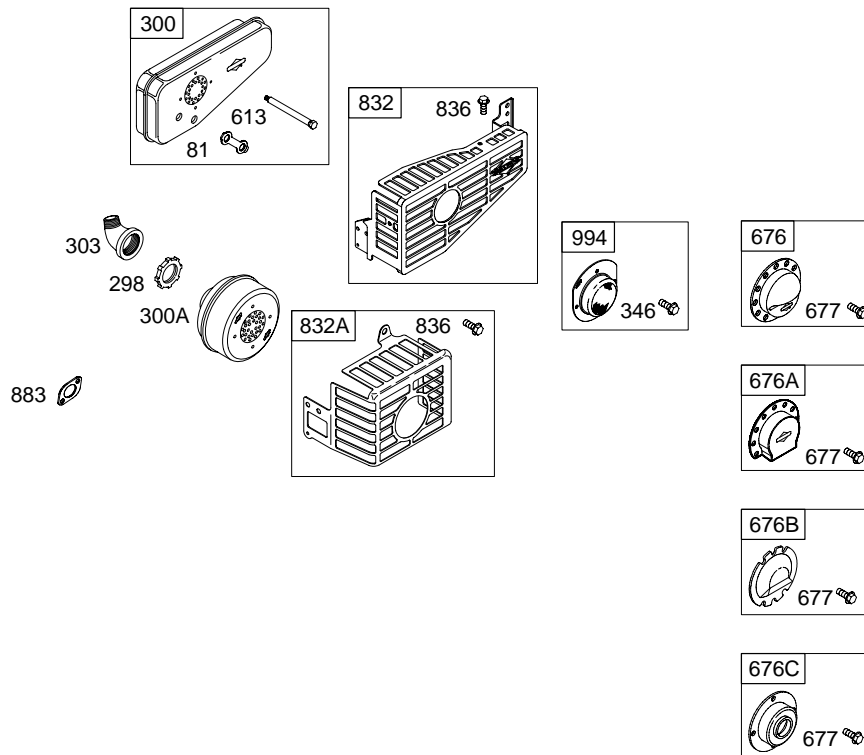
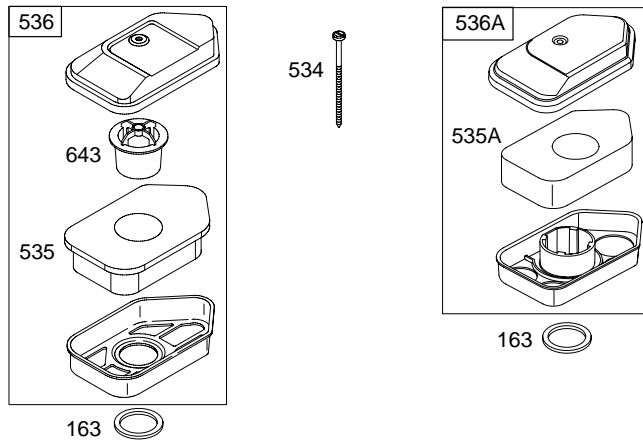
Illustrations cover a range of engines. Parts shown without corresponding text may not be used on your specific engine.  
 0235-3 Assemblies include all parts shown in frames. 05/18/2004



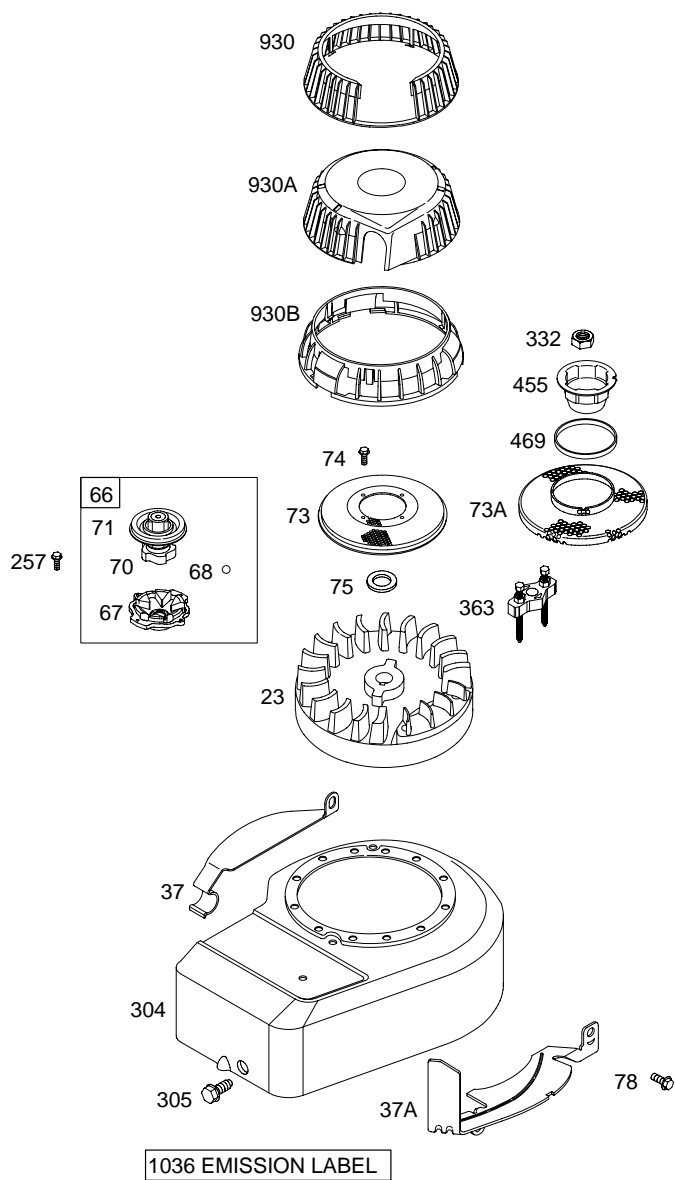
**Illustrations cover a range of engines. Parts shown without corresponding text may not be used on your specific engine.**  
**0235-4** Assemblies include all parts shown in frames. **05/18/2004**

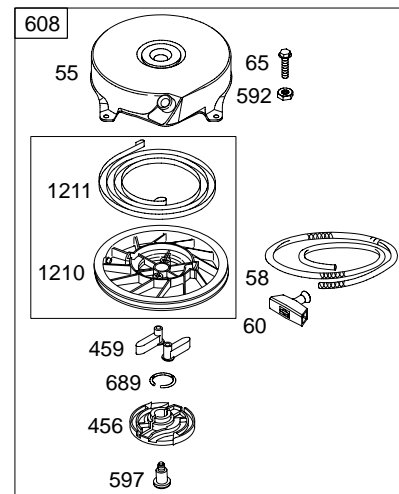
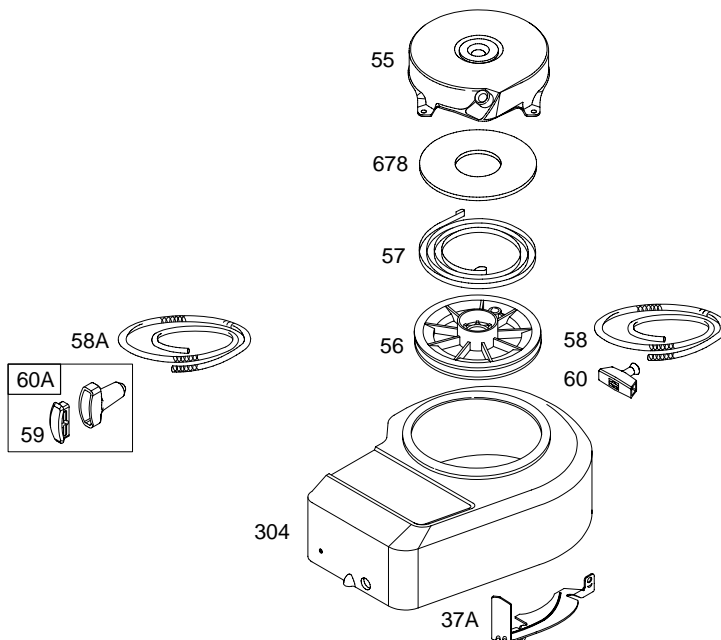
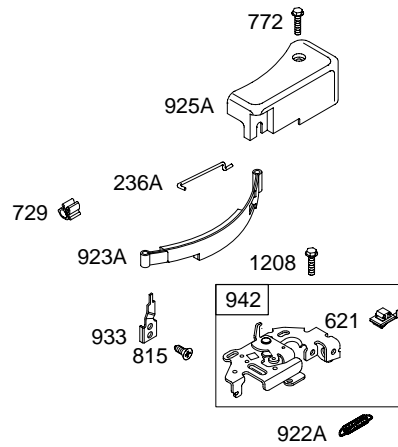
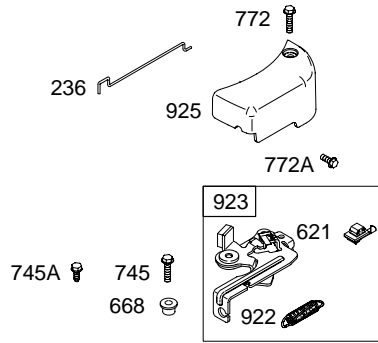


0235-5 *Illustrations cover a range of engines. Parts shown without corresponding text may not be used on your specific engine.* Assemblies include all parts shown in frames. 05/18/2004



Illustrations cover a range of engines. Parts shown without corresponding text may not be used on your specific engine.  
 0235-6 Assemblies include all parts shown in frames. 05/18/2004





**Illustrations cover a range of engines. Parts shown without corresponding text may not be used on your specific engine.**  
**0235-8** Assemblies include all parts shown in frames. **05/18/2004**



REF. NO.	PART NO.	DESCRIPTION	REF. NO.	PART NO.	DESCRIPTION	REF. NO.	PART NO.	DESCRIPTION		
1	699653	Cylinder Assembly	9	★Δ695890	Gasket–Breather	16A	692990	Crankshaft		
2	399269	Kit–Bushing/Seal (Magneto Side)	10	691666	Screw (Breather Assembly)			Used on Type No(s). 0899, 1110, 1602, 1615, 1650, 1651, 2000, 2001, 2002, 2026, 2027, 2028, 2029, 2063, 2066, 2069, 2070, 2077, 2085, 2093, 2097, 2099, 2109, 2125, 2163, 2179, 2192, 2194, 2198, 2203, 2207, 2209, 2210, 2215, 2229, 2231, 2239, 2242, 2243, 2244, 2246, 2249.		
3	★299819	Seal–Oil (Magneto Side)	11	691245	Tube–Breather					
4	698691	Sump–Engine (Used After Code Date 02111200)	12	★692218	Gasket–Crankcase (.015" Thick) (Standard)					
		———— <b>Note</b> ————			———— <b>Note</b> ————					
		395384 Sump–Engine (Used Before Code Date 02111300)			270895 Gasket–Crankcase (.005" Thick)					
4A	395390	Sump–Engine (Auxiliary PTO)			270896 Gasket–Crankcase (.009" Thick)					
5	690386	Head–Cylinder	13	691640	Screw (Cylinder Head)					
7	★Δ698717	Gasket–Cylinder Head (Used After Code Date 04011800)	15	691680	Plug–Oil Drain					
		———— <b>Note</b> ————	16	492748	Crankshaft			———— <b>Note</b> ————		
		692288 Gasket–Cylinder Head (Used After Code Date 95021900 and Before Code Date 04011900).			———— <b>Note</b> ————			692991 Crankshaft		
		272536 Gasket–Cylinder Head (Used Before Code Date 95022000)			492086 Crankshaft			Used on Type No(s). 1603, 1607, 1612, 1618, 2010, 2024, 2025, 2202, 2211, 2212, 2214, 2217, 2222, 2224, 2225, 2228, 2234, 2237, 2247, 2248.		
8	699640	Breather Assembly (Used After Code Date 03080300)			Used on Type No(s). 0115, 0120, 0123, 0128, 0129, 0131, 0132, 0144, 0145, 0151, 0197, 0198, 0306, 0308, 0312, 0313, 0320, 0321, 0323, 0326, 0337, 0338, 0344, 0347, 0350, 0353, 0354, 0358, 0366, 0371, 0373, 0374, 0378, 0380, 0381, 0383, 0386, 0388, 0389, 0395, 0401, 0837, 1144, 1316, 1516, 1616, 1644, 2044, 2045, 2047, 2078, 2087, 2098, 2101, 2137, 2144, 2147, 2166, 2178, 2180, 2186, 2213, 2216, 2227, 2232, 2235, 2236, 2238, 2240, 2251.			16B	493618	Crankshaft
		———— <b>Note</b> ————			496069 Crankshaft			Used on Type No(s). 0119, 0137, 0141, 0341, 0359, 0382.		
		495785 Breather Assembly (Used Before Code Date 03080400)			Used on Type No(s). 0125, 0139, 0140, 0143, 0148, 0167, 0322, 0328, 0364, 0402, 0866, 0891, 0899, 1303, 1304, 1305, 1318, 1518, 2043.					

★ Included in Engine Gasket Set–Ref. No.358.

● Included in Carburetor Overhaul Kit–Ref. No. 121.

◆ Included in Carburetor Gasket Set–Ref. No. 977.

Δ Included in Valve Gasket Set–Ref. No 1095.

**Illustrations cover a range of engines. Parts shown without corresponding text may not be used on your specific engine.**  
 0235–9 Assemblies include all parts shown in frames. 05/18/2004

# 98900

REF. NO.	PART NO.	DESCRIPTION	REF. NO.	PART NO.	DESCRIPTION	REF. NO.	PART NO.	DESCRIPTION
20	★391483	Seal—Oil (PTO Side)	26	699658	Ring Set (Standard) (Used After Code Date 03080300)	29	699654	Rod—Connecting (Standard) (Used After Code Date 03093000)
20A	★691952	Seal—Oil (PTO Side) (Auxiliary PTO)			———— <b>Note</b> ————			———— <b>Note</b> ————
22	691662	Screw (Crankcase Cover/Sump)			<b>498680</b> Ring Set (Standard) (Used After Code Date 96020500 and Before Code Date 03080400).			<b>294367</b> Rod— Connecting (Standard) (Used After Code Date 03080300 and Before Code Date 03100100).
23	692009	Flywheel ———— <b>Note</b> ———— <b>690843</b> Flywheel Used on Type No(s). 0115, 0132, 0137, 0138, 0139, 0141, 0143, 0145, 0328, 0345, 0346, 0347, 0358, 0364, 0369, 0382, 0386, 0395, 0890, 1302, 1303, 1304, 1305, 1446, 1602, 1603, 2044, 2047, 2069, 2147, 2186, 2222, 2224, 2228, 2251.			<b>298982</b> Ring Set (Standard) (Used Before Code Date 96020600)			<b>294201</b> Rod— Connecting (Standard) (Used Before Code Date 03080400)
24	222698	Key—Flywheel	27	691588	Lock—Piston Pin			<b>296079</b> Rod— Connecting (.020" Undersize)
25	699657	Piston Assembly (Standard) (Used After Code Date 03080300) ———— <b>Note</b> ———— <b>498668</b> Piston Assembly (Standard) (Used After Code Date 96020500 and Before Code Date 03080400). <b>298904</b> Piston Assembly (Standard) (Used Before Code Date 96020600) <b>498670</b> Piston Assembly (.020" Oversize) (Used After Code Date 96020500) <b>298906</b> Piston Assembly (.020" Oversize) (Used Before Code Date 96020600)	28	699659	Pin—Piston (Standard) (Used After Code Date 03080300) ———— <b>Note</b> ———— <b>298909</b> Pin—Piston (Standard) (Used Before Code Date 03080400)	32	691664	Screw (Connecting Rod)
						33	296676	Valve—Exhaust
						34	296677	Valve—Intake
						35	690520	Spring—Valve (Intake)
						36	690520	Spring—Valve (Exhaust)
						37	690482	Guard—Flywheel (Carburetor Side)
						37A	691209	Guard—Flywheel

★ Included in Engine Gasket Set—Ref. No.358.

● Included in Carburetor Overhaul Kit—Ref. No. 121.

◆ Included in Carburetor Gasket Set—Ref. No. 977.

△ Included in Valve Gasket Set—Ref. No 1095.

**Illustrations cover a range of engines. Parts shown without corresponding text may not be used on your specific engine.**

REF. NO.	PART NO.	DESCRIPTION	REF. NO.	PART NO.	DESCRIPTION	REF. NO.	PART NO.	DESCRIPTION
40	692194	Retainer-Valve	58	697316	Rope-Starter (1/8" Diameter, 88-5/8" Long)(Cut To Required Length)	74	691627	Screw (Rotating Screen)
43	698690	Slinger-Governor/Oil (Used After Code Date 02110400)				75	691736	Washer (Flywheel)
		<b>Note</b>	58A	280406	Rope-Starter (1/8" Diameter, 82" Long) (Cut To Required Length)	78	692198	Screw (Flywheel Guard)
		691983 Slinger-Governor/Oil (Used Before Code Date 02110500)			<b>Note</b>	81	691179	Lock-Muffler Screw
45	691762	Tappet-Valve			280399 Rope-Starter (1/8" Diameter, 99" Long) (Cut To Required Length)	83	691240	Shaft-Auxiliary Drive
46	691998	Camshaft						<b>Note</b>
46A	690645	Camshaft (Clockwise)						690506 Shaft-Auxiliary Drive
		<b>Note</b>	59	396892	Insert-Grip			Used on Type No(s). 0396, 1350, 1650, 2196.
		690644 Camshaft Used on Type No(s). 0114, 0117, 0121, 0126, 0127, 0133, 0147, 0149, 0166, 0317, 0319, 0390, 0394, 0396, 0399, 0407, 0849, 1350, 1650, 2026, 2027, 2066, 2194, 2207, 2211.	60	691915	Grip-Starter Rope (1 Piece)			690514 Shaft-Auxiliary Drive
			60A	393152	Grip-Starter Rope (2 Piece)			Used on Type No(s). 0147, 0317, 0319, 0390, 0399, 0407, 2207.
			65	690837	Screw (Rewind Starter)			691249 Shaft-Auxiliary Drive
			66	399671	Clutch-Starter (Used Before Code Date 97060600)			Used on Type No(s). 0117, 0133, 0149, 0371, 0373, 0374, 0378, 0849, 2049, 2178, 2211.
			67	394897	Housing-Clutch (Used Before Code Date 97060600)			
50	699644	Manifold-Intake (Used After Code Date 03080300)	68	691604	Ball-Clutch (Used Before Code Date 97060600)			
		<b>Note</b>	70	691945	Ratchet-Clutch			
		693446 Manifold-Intake (Used Before Code Date 03080400)	71	691359	Cover-Ratchet (Used Before Code Date 97060600)			
51	★270345	Gasket-Intake				73	691725	Screen-Rotating (Used Before Code Date 97060600)
54	691111	Screw (Intake Manifold)				73A	699850	Screen-Rotating (Used After Code Date 03082400)
55	692144	Housing-Rewind Starter			<b>Note</b>			694018 Screen-Rotating (Used After Code Date 97060500 and Before Code Date 03082500).
56	281336	Pulley-Starter						
57	490179	Spring-Rewind Starter						

★ Included in Engine Gasket Set-Ref. No.358.

● Included in Carburetor Overhaul Kit-Ref. No. 121.

◆ Included in Carburetor Gasket Set-Ref. No. 977.

△ Included in Valve Gasket Set-Ref. No 1095.

**Illustrations cover a range of engines. Parts shown without corresponding text may not be used on your specific engine.**

# 98900

REF. NO.	PART NO.	DESCRIPTION	REF. NO.	PART NO.	DESCRIPTION	REF. NO.	PART NO.	DESCRIPTION
90	498809	Carburetor (Used After Code Date 96051900) ———— <b>Note</b> ———— 494775 Carburetor (Used Before Code Date 96052000)		690251	Spring–Governor (Yellow) (Used After Code Date 96051900) Used on Type No(s). 0120, 0121, 0123, 0125, 0126, 0127, 0128, 0131, 0140, 0141, 0144, 0147, 0148, 0150, 0151, 0166, 0167, 0197, 0312, 0313, 0314, 0317, 0319, 0320, 0325, 0347, 0353, 0366, 0367, 0370, 0379, 0380, 0382, 0383, 0386, 0388, 0390, 0392, 0393, 0396, 0397, 0398, 0399, 0401, 0891, 1144, 1315, 1316, 1318, 1350, 1351, 1515, 1516, 1518, 1551, 1612, 1615, 1616, 1618, 1644, 1650, 1651, 2002, 2023, 2024, 2025, 2026, 2027, 2044, 2066, 2078, 2087, 2093, 2097, 2100, 2101, 2125, 2147, 2166, 2179, 2180, 2186, 2192, 2193, 2194, 2196, 2197, 2198, 2209, 2212, 2214, 2227, 2229, 2231, 2232, 2234, 2235, 2243.		692211	Spring–Governor (No Color) (Used Before Code Date 96052000) Used on Type No(s). 0120, 0121, 0123, 0125, 0126, 0127, 0128, 0131, 0140, 0147, 0148, 0150, 0151, 0166, 0167, 0197, 0312, 0313, 0314, 0317, 0319, 0320, 0325, 0353, 0358, 0362, 0366, 0367, 0370, 0371, 0379, 0380, 0383, 0388, 0390, 0392, 0393, 0394, 0396, 0397, 0398, 0399, 0401, 1144, 1305, 1315, 1316, 1318, 1350, 1351, 2222.
97	691931	Shaft–Throttle						
101	691623	Pin–Shaft						
130	691190	Valve–Throttle						
163	★271139	Gasket–Air Cleaner						
170	691690	Stud (Crankcase Cover/Sump)						
178	690398	Cover–Drive Gear						
180	494406	Tank–Fuel (Metal)						
181	493982	Cap–Fuel Tank (Metal)						
188	692198	Screw (Control Bracket)						
190	691640	Screw (Fuel Tank)						
190A	692198	Screw (Fuel Tank)						690252 Spring–Governor (Pink) (Used After Code Date 96051900) Used on Type No(s). 0115, 0129, 0132, 0137, 0138, 0139, 0143, 0145, 0307, 0322, 0328, 0345, 0346, 0352, 0363, 0364, 0368, 0369, 0372, 0377, 0381, 0395, 0402, 0890, 1302, 1303, 1304, 1446, 1472, 1477, 2043, 2146, 2168, 2224.
200	691912	Blade–Governor						
201	690347	Link–Air Vane						
209	691297	Spring–Governor (White) (Used After Code Date 96051900) ———— <b>Note</b> ———— 262760 Spring–Governor (Orange) (Used Before Code Date 96052000)						

★ Included in Engine Gasket Set–Ref. No.358.

● Included in Carburetor Overhaul Kit–Ref. No. 121.

◆ Included in Carburetor Gasket Set–Ref. No. 977.

△ Included in Valve Gasket Set–Ref. No 1095.

**Illustrations cover a range of engines. Parts shown without corresponding text may not be used on your specific engine.**

REF. NO.	PART NO.	DESCRIPTION	REF. NO.	PART NO.	DESCRIPTION	REF. NO.	PART NO.	DESCRIPTION
	<b>262942</b>	Spring–Governor (Black) (Used Before Code Date 96052000) Used on Type No(s). 0115, 0132, 0137, 0139, 0143, 0307, 0322, 0328, 0352, 0363, 0364, 0368, 0372, 0377, 0381, 0395, 0402, 1304.		<b>691861</b>	Spring–Governor (Brown) (Used After Code Date 96051900) Used on Type No(s). 0373, 0374, 0378, 2238.	<b>222</b>	<b>691446</b>	Bracket–Control Used on Type No(s). 0101, 0110, 0114, 0117, 0119, 0121, 0123, 0125, 0126, 0127, 0128, 0129, 0130, 0131, 0133, 0134, 0140, 0142, 0147, 0148, 0149, 0150, 0151, 0165, 0166, 0167, 0168, 0197, 0198, 0199, 0300, 0310, 0312, 0313, 0314, 0317, 0319, 0320, 0321, 0323, 0325, 0330, 0334, 0337, 0341, 0350, 0355, 0360, 0361, 0362, 0365, 0370, 0371, 0376, 0379, 0380, 0383, 0388, 0390, 0391, 0392, 0393, 0394, 0396, 0397, 0398, 0399, 0404, 0407, 0810, 0837, 0849, 0865, 0866, 0891, 0899, 1110, 1607, 2000, 2001, 2002, 2010, 2023, 2024, 2025, 2026, 2027, 2029, 2030, 2042, 2049, 2065, 2066, 2068, 2093, 2097, 2098, 2099, 2100, 2110, 2125, 2137, 2179, 2180, 2191, 2192, 2193, 2194, 2196, 2197, 2198, 2204, 2207, 2209, 2211, 2212, 2213, 2217, 2229, 2234, 2235, 2236, 2237, 2238, 2240, 2244, 2247, 2248.
	<b>262943</b>	Spring–Governor (Purple) (Used Before Code Date 96052000) Used on Type No(s). 0129, 0138, 0345, 0346, 0369, 1302, 1303.		<b>690253</b>	Spring–Governor (Blue) (Used Before Code Date 96052000) Used on Type No(s). 0373, 0374, 0378.			
	<b>690254</b>	Spring–Governor (Light Blue) (Used After Code Date 96051900) Used on Type No(s). 0358, 0362, 0371, 0394, 1305, 2045, 2047, 2147, 2178, 2250, 2251.		<b>690250</b>	Spring–Governor (Light Green) Used on Type No(s). 1602, 1603, 2063, 2069, 2077, 2163, 2202, 2210, 2215, 2225, 2246.			
	<b>692531</b>	Spring–Governor (Red) (Used Before Code Date 96052000) Used on Type No(s). 0141, 0309, 0376, 0385, 0403.	<b>211</b>	<b>691859</b>	Spring–Governed Idle (Used After Code Date 96051900)			
						<b>222A</b>	<b>691445</b>	Bracket–Control

★ Included in Engine Gasket Set–Ref. No.358.

● Included in Carburetor Overhaul Kit–Ref. No. 121.

◆ Included in Carburetor Gasket Set–Ref. No. 977.

△ Included in Valve Gasket Set–Ref. No 1095.

**Illustrations cover a range of engines. Parts shown without corresponding text may not be used on your specific engine.**

# 98900

REF. NO.	PART NO.	DESCRIPTION	REF. NO.	PART NO.	DESCRIPTION	REF. NO.	PART NO.	DESCRIPTION
236	691867	Link-Lockout (Used After Code Date 97071300)	304	691484	Housing-Blower (Compliance Engines) <b>Note</b>	337	802592	Plug-Spark
236A	691826	Link-Lockout (Used Before Code Date 97071400)		692536	Housing-Blower (Non Compliance Engines) Used on Type No(s). 1602, 1603, 2028, 2044, 2045, 2047, 2063, 2064, 2065, 2069, 2070, 2077, 2078, 2085, 2087, 2101, 2109, 2144, 2147, 2163, 2178, 2186, 2202, 2203, 2210, 2214, 2215, 2216, 2222, 2224, 2225, 2227, 2228, 2232, 2239, 2242, 2243, 2246, 2249, 2250, 2251.	346	690661	Screw (Spark Arrestor)
257	691660	Screw (Starter Clutch)				356	692390	Wire-Stop (1 Wire, 17" Long) (Snap Connect Insulated Female Blade Terminal, And Bare Wire End)
265	692179	Clamp-Casing				356A	398808	Wire-Stop (2 Wires, 15" And 15-11/16" Long) (Snap Connect Insulated Female Blade Terminal, Ring Terminal)
265A	690798	Clamp-Casing				357	692191	Key-Drive Pulley
265B	691024	Clamp-Casing				358	699933	Gasket Set-Engine (Used After Code Date 03080300) <b>Note</b>
267	691044	Screw (Casing Clamp)					298989	Gasket Set-Engine (Used Before Code Date 03080400)
268	691072	Casing-Control Wire (Cut To Required Length)	305	692198	Screw (Blower Housing)	363	19069	Puller-Flywheel
269	691589	Wire-Control (Cut To Required Length)	332	690662	Nut (Flywheel)	365	692200	Screw (Carburetor)
270	691027	Nut (Control Wire Casing)	333	496914	Armature-Magneto	374	691074	Washer (Camshaft)
271	691028	Lever-Control	334	691061	Screw (Magneto Armature)	377	692193	Key-Woodruff
287	691002	Screw (Dipstick Tube)	335	691107	Screw (Magneto Armature With Air Vane)	383	89838	Wrench-Spark Plug
298	691720	Locknut-Muffler/Elbow						
300	692307	Muffler (Super Lo Tone)						
300A	394569	Muffler						
303	690291	Elbow-Exhaust						

★ Included in Engine Gasket Set-Ref. No.358.

● Included in Carburetor Overhaul Kit-Ref. No. 121.

◆ Included in Carburetor Gasket Set-Ref. No. 977.

△ Included in Valve Gasket Set-Ref. No 1095.

**Illustrations cover a range of engines. Parts shown without corresponding text may not be used on your specific engine.**

REF. NO.	PART NO.	DESCRIPTION	REF. NO.	PART NO.	DESCRIPTION	REF. NO.	PART NO.	DESCRIPTION
390	691839	Spring–Choke Diaphragm	613	691413	Screw (Muffler)	677	690661	Screw (Muffler Deflector)
393	691837	Screen–Carburetor	617	270344	Seal–O Ring (Intake Manifold)	678	691924	Spacer–Rewind (2–13/16" Diameter)
394	495770	Diaphragm–Carburetor	621	692310	Switch–Stop	689	691855	Spring–Friction
426	691107	Screw (Governor Blade)	633	691321	Seal–Choke/Throttle Shaft (Throttle)	718	690959	Pin–Locating
444	★691868	Gasket–Drive Gear Cover	635	66538	Boot–Spark Plug	718A	499047	Pin–Locating
455	691236	Cup–Flywheel	643	691911	Retainer–Air Filter	721	690397	Stop–Shaft Used on Type No(s). 0354.
456	692299	Plate–Pawl Friction	668	692889	Spacer	729	690586	Clip–Wire
459	281505	Pawl–Ratchet	670	691633	Spacer–Fuel Tank (Non Compliance Engines) (Used After Code Date 97071300)	741	691805	Gear–Timing
469	694420	Ring–Rotating Trim (Used Before Code Date 03082500)				743	690516	Gear–Drive
523	692040	Dipstick						<b>Note</b>
523A	691913	Dipstick						691772 Gear–Drive Used on Type No(s). 0114, 0117, 0121, 0126, 0127, 0133, 0147, 0149, 0166, 0317, 0319, 0390, 0394, 0396, 0399, 0407, 0849, 1350, 1650, 2026, 2027, 2049, 2066, 2194, 2207, 2211.
524	★692296	Seal–Dipstick Tube						
525	691320	Tube–Dipstick						
529	692189	Grommet						
534	691417	Screw (Air Cleaner)						
535	272235	Filter–Air Cleaner Foam	676	396548	Deflector–Muffler Used on Type No(s). 0132, 0319, 0328, 0369, 2069.	745	691146	Screw (Brake) (Used After Code Date 97071300)
535A	698369	Filter–Air Cleaner Foam	676A	393760	Deflector–Muffler Used on Type No(s). 0317, 0341, 0346, 0402, 0890, 1446, 2027, 2146, 2202, 2225, 2231.	745A	690859	Screw (Brake) (Used Before Code Date 97071400)
536	493492	Cleaner–Air (Metal)						
536A	698472	Cleaner–Air (Plastic)	676B	393756	Deflector–Muffler Used on Type No(s). 0147, 0322, 0341, 0345, 0359, 0381, 0382, 1315, 1316, 1318, 1350, 1351, 1515, 1516, 1518, 1612, 1615, 1616, 1618, 1650, 1651, 2027, 2045, 2214.			
578	398153	Wire Assembly						
592	690800	Nut (Rewind Starter)	676C	397931	Deflector–Muffler Used on Type No(s). 0374, 0378, 2178, 2211.			
597	691696	Screw (Pawl Friction Plate)						
608	499706	Starter–Rewind						
		<b>Note</b>						
		499925 Starter–Rewind Used on Type No(s). 0890.						
612	496046	Tube–Pick Up						

★ Included in Engine Gasket Set–Ref. No.358.

● Included in Carburetor Overhaul Kit–Ref. No. 121.

◆ Included in Carburetor Gasket Set–Ref. No. 977.

△ Included in Valve Gasket Set–Ref. No 1095.

**Illustrations cover a range of engines. Parts shown without corresponding text may not be used on your specific engine.**  
 0235–15 Assemblies include all parts shown in frames. 05/18/2004

# 98900

REF. NO.	PART NO.	DESCRIPTION	REF. NO.	PART NO.	DESCRIPTION	REF. NO.	PART NO.	DESCRIPTION
772	691111	Screw (Linkage Cover) (Used After Code Date 97071300)	871	699643	Bushing-Valve Guide (Exhaust Valve) (Used After Code Date 03080300)	976	694394	Primer-Carburetor
		<b>Note</b>			<b>Note</b>	994	398067	Arrestor-Spark
		691183 Screw (Linkage Cover) (Used Before Code Date 97071400)			231348 Bushing-Valve Guide (Exhaust Valve) (Used Before Code Date 03080400)	1019	699934	Kit-Label (Used After Code Date 03080300)
772A	690345	Screw (Linkage Cover)			63709 Bushing-Valve Guide			<b>Note</b>
815	690324	Screw (Bank Brake Pivot)	883	★△691880	Gasket-Exhaust			496757 Kit-Label (Used Before Code Date 03080400)
832	494896	Guard-Muffler	913	494409	Seat-Check Valve	1036	695108	Label-Emissions (Used After Code Date 99093000)
832A	699670	Guard-Muffler	922	692135	Spring-Brake (Used After Code Date 97071300)			<b>Note</b>
836	690664	Screw (Muffler Guard)			922A 691809 Spring-Brake (Used Before Code Date 97071400)			694409 Label- Emissions (Used After Code Date 98123100 and Before Code Date 99100100).
842	★691870	Seal-O Ring (Dipstick Tube)			923 691487 Brake			499331 Label-Emissions (Used Before Code Date 99010100)
847	691440	Dipstick/Tube Assembly	923A	394867	Brake			1058 275508 Operator's Manual
851	493880	Terminal-Spark Plug	925	691349	Cover-Linkage (Used After Code Date 97071300)	1095	498526	Gasket Set-Valve
869	699641	Seat-Valve (Intake) (Used After Code Date 03080300)			925A 691329 Cover-Linkage (Used Before Code Date 97071400)	1143	691666	Screw (Drive Gear Cover) (Coarse Thread)
		<b>Note</b>			930 691330 Guard-Rewind			1208 691146 Screw (Brake Bracket)
		691701 Seat-Valve (Intake) (Used Before Code Date 03080400)	930A	690601	Guard-Rewind	1210	499901	Pulley/Spring Assembly (Pulley)
870	699642	Seat-Valve (Exhaust) (Used After Code Date 03080300)	930B	691348	Guard-Rewind			1211 499901 Pulley/Spring Assembly (Spring)
		<b>Note</b>	933	690428	Pivot-Band Brake (Used Before Code Date 97071400)	1330	270962	Repair Manual
		691702 Seat-Valve (Exhaust) (Used Before Code Date 03080400)	942	493248	Bracket-Brake (Used Before Code Date 97071400)			
			957	497929	Cap-Fuel Tank (Plastic)(Black)			
					<b>Note</b>			
					692050 Cap-Fuel Tank (Plastic)(Red) Used on Type No(s). 0149, 0165, 0849, 1110, 2049, 2065.			

★ Included in Engine Gasket Set-Ref. No.358.

● Included in Carburetor Overhaul Kit-Ref. No. 121.

◆ Included in Carburetor Gasket Set-Ref. No. 977.

△ Included in Valve Gasket Set-Ref. No. 1095.

**Illustrations cover a range of engines. Parts shown without corresponding text may not be used on your specific engine.**