

Illustrated Parts List

Model Series

99700 to 99799

TYPE NUMBERS

0100 through 0103,
0110 through 0118,
0601, 0606,
0610, 0611, 0612,
0614, 0615,
0618 through 0626,
0630 through 0638,
0814 through 0826,
0916, 0918, 0920,
0925, 0932, 0934,
0935, 0937, 0938,
0942, 0945, 0950,
0951, 0953,

TYPE NUMBERS

3015, 3016,
3024, 3025, 3026,
3101, 3102, 3103,
3111 through 3120,
3141, 3142, 3143,
3515, 3525, 3601,
3608 through 3613,
3616, 3617, 3620,
3624, 3625, 3641,
3642, 3643, 3650.

TO FIND

THE CORRECT NUMBER OF THE PART YOU NEED: FOLLOW THE INSTRUCTIONS BELOW

- A. Refer to Engine Model, Type and Code Number that is stamped on the blower housing of engine. Engine type numbers such as 0123 01 are listed only as 0123 in most instances. The two digits (01 or 02, etc.) to the right of the space may be required for more accurate parts identification in some instances. Select the Illustrated Parts List covering the correct Model Series and Type Number.
- B. Refer to the Illustrations and compare the original part with Illustration. The number next to the illustration is the Reference Number. Assemblies include all parts shown in frames. All parts shown in assembly frames having individual reference numbers can be purchased separately.
- C. After the Reference Number has been identified, refer to the Numerical text, where Reference and Primary Part Number are listed. **THE PRIMARY PART IS USED ON ALL TYPE NUMBERS EXCEPT THOSE TYPE NUMBERS UNDER "NOTE."**
- D. If a "Note" appears below the Primary Part Number, it means that this part differs from the Primary Part for certain types. If your Type number is listed under "Note," order the part referred to at the "Note."
- E. If your Engine Type Number does not appear after any part number listed under "Note," use the Primary Part Number.
- F. For Engine Type Numbers not covered by this book, check other Parts Lists having the same engine model or contact your source of supply.

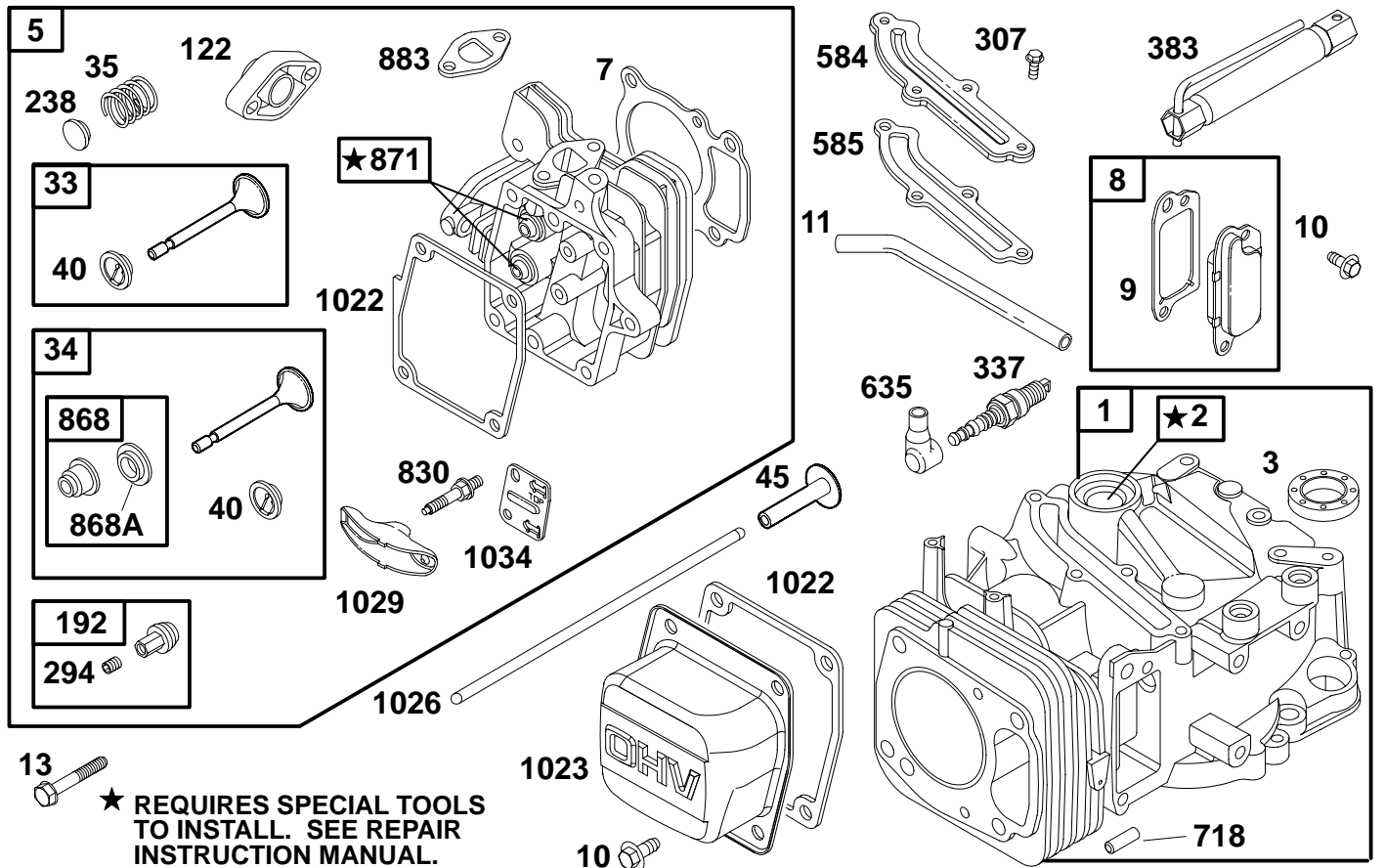
PRINTED IN U.S.A.

BRIGGS & STRATTON



COPYRIGHT by BRIGGS & STRATTON CORPORATION
All rights reserved. No part of this material may be reproduced or transmitted, in any form or by any means, electronic or mechanical, including photocopying, recording or by any information storage and retrieval system, without permission in writing from Briggs & Stratton Corporation.

99700 to 99799



1019 LABEL KIT

1058 OWNER'S MANUAL

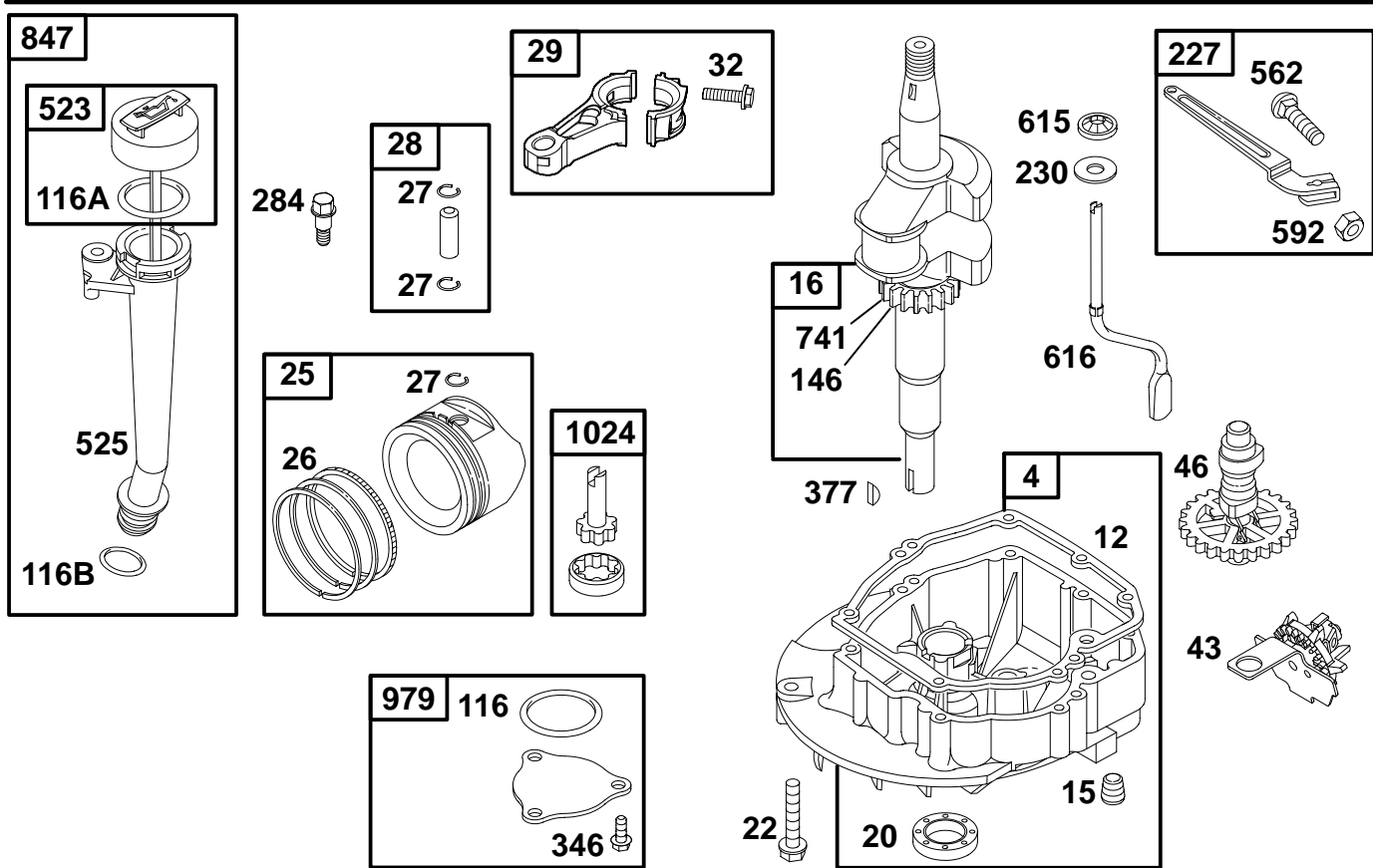
| REF. NO. | PART NO. | DESCRIPTION | REF. NO. | PART NO. | DESCRIPTION | REF. NO. | PART NO. | DESCRIPTION |
|----------|----------|---|----------|----------|-------------------------|----------|----------|---------------------|
| 1 | 494728 | Cylinder Assembly | 13 | 94547 | Screw-Hex. | 635 | 66538 | Boot-Spark Plug |
| 2 | 293708 | Bushing | 33 | 493778 | Valve-Exhaust | 718 | 230192 | Dowel-Sleeve |
| 3 | ★299819 | Seal-Oil | 34 | 493777 | Valve-Intake | 830 | 94555 | Stud-Rocker Arm |
| 5 | 496054 | Head-Cylinder (Used After Code Date 92080400). | 35 | 262716 | Spring-Valve | 868 | ★Δ495773 | Seal-Valve |
| | | Note | 40 | 262552 | Retainer-Valve | 868A | ★Δ272376 | Seal-Valve |
| | | 494726 Head-Cylinder (Used Before Code Date 92080500). | 45 | 262679 | Tappet-Valve | 871 | 262718 | Bushing-Guide |
| 7 | ★Δ272314 | Gasket-Cylinder Head | 122 | 281193 | Spacer-Carburetor | 883 | ★Δ272313 | Gasket-Exhaust |
| 8 | 495786 | Breather Assembly | 192 | 492160 | Nut-Rocker Arm | 1019 | 495337 | Label Kit |
| 9 | ★272481 | Gasket-Breather | 238 | 262499 | Cap-Valve | 1022 | ★Δ272323 | Gasket-Rocker Cover |
| 10 | 94650 | Screw-Hex. | 294 | 810104 | Screw-Torx® | 1023 | 224588 | Cover-Rocker |
| 11 | 231933 | Tube-Breather | 307 | 94515 | Screw-Hex. | 1026 | 493527 | Rod-Push |
| | | | 337 | 491055 | Plug-Spark | 1029 | 224111 | Arm-Rocker |
| | | | 383 | 19374 | Wrench-Spark Plug | 1034 | 224400 | Guide-Push Rod |
| | | | 584 | 224328 | Baffle-Cylinder | 1058 | 273123 | Owner's Manual |
| | | | 585 | ★272238 | Gasket-Breather Passage | | | |

★ Included in Gasket Set-See Ref. No. 358.

Δ Included in Valve Overhaul Kit-See Ref. No. 1033.

◆ Included in Carburetor Gasket Set-Part No. 490937.

● Included in Carburetor Kit-See Ref. No. 121.



| REF. NO. | PART NO. | DESCRIPTION | REF. NO. | PART NO. | DESCRIPTION | REF. NO. | PART NO. | DESCRIPTION | |
|----------|----------|---|----------|----------|---------------------------|-----------------------|----------|---------------------|---|
| 4 | 493901 | Sump-Engine | | 495270 | Ring Set (0.020 O.S.) | 346 | 94513 | Screw-Hex. | |
| 12 | ★272324 | Gasket-Crankcase | | 495272 | Ring Set (0.030 O.S.) | 377 | 93065 | Key-Woodruff | |
| 15 | 94720 | Plug-Oil Drain | | 27 | 262514 | Lock-Piston Pin | 523 | 495264 | Dipstick |
| 16 | | Crankshaft | 27 | 28 | 492765 | Pin-Piston (Standard) | 525 | 495265 | Tube-Oil Fill |
| | | See Last Page | 29 | 493049 | Rod-Connecting (Standard) | 562 | 92613 | Bolt-Governor Lever | |
| 20 | ★399781 | Seal-Oil | | 32 | 94699 | Screw-Connecting Rod | 592 | 231082 | Nut-Hex. |
| 22 | 94220 | Screw-Hex. | | 43 | 493719 | Governor/Oil Slinger | 615 | 94474 | Retainer-Governor |
| | | Note | | 46 | 493310 | Gear-Cam | 616 | 263175 | Crank-Governor (Used After Code Date 96090100). |
| | | 94612 Screw-Hex. One Used in Hole Nearest Breather. | | 116 | ★280891 | Seal-O Ring | | | Note |
| 25 | 493781 | Piston Assembly (Standard) | | 116A | ★280393 | Seal-O Ring | | | 262578 Crank-Governor (Used Before Code Date 96090200). |
| | | 495267 Piston Assy. (0.010 O.S.) | | 116B | ★280966 | Seal-O Ring | 741 | 262598 | Gear-Timing |
| | | 495269 Piston Assy. (0.020 O.S.) | | 146 | 94388 | Key-Timing | 847 | 495263 | Dipstick/Tube Assembly |
| | | 495271 Piston Assy. (0.030 O.S.) | | 227 | 492349 | Lever-Governor | 979 | 492756 | Cover-Pump |
| 26 | 493782 | Ring Set (Standard) | | 230 | 67072 | Washer | 1024 | 493884 | Pump-Oil |
| | | 495268 Ring Set (0.010 O.S.) | | 284 | 94511 | Screw-Shoulder | | | |

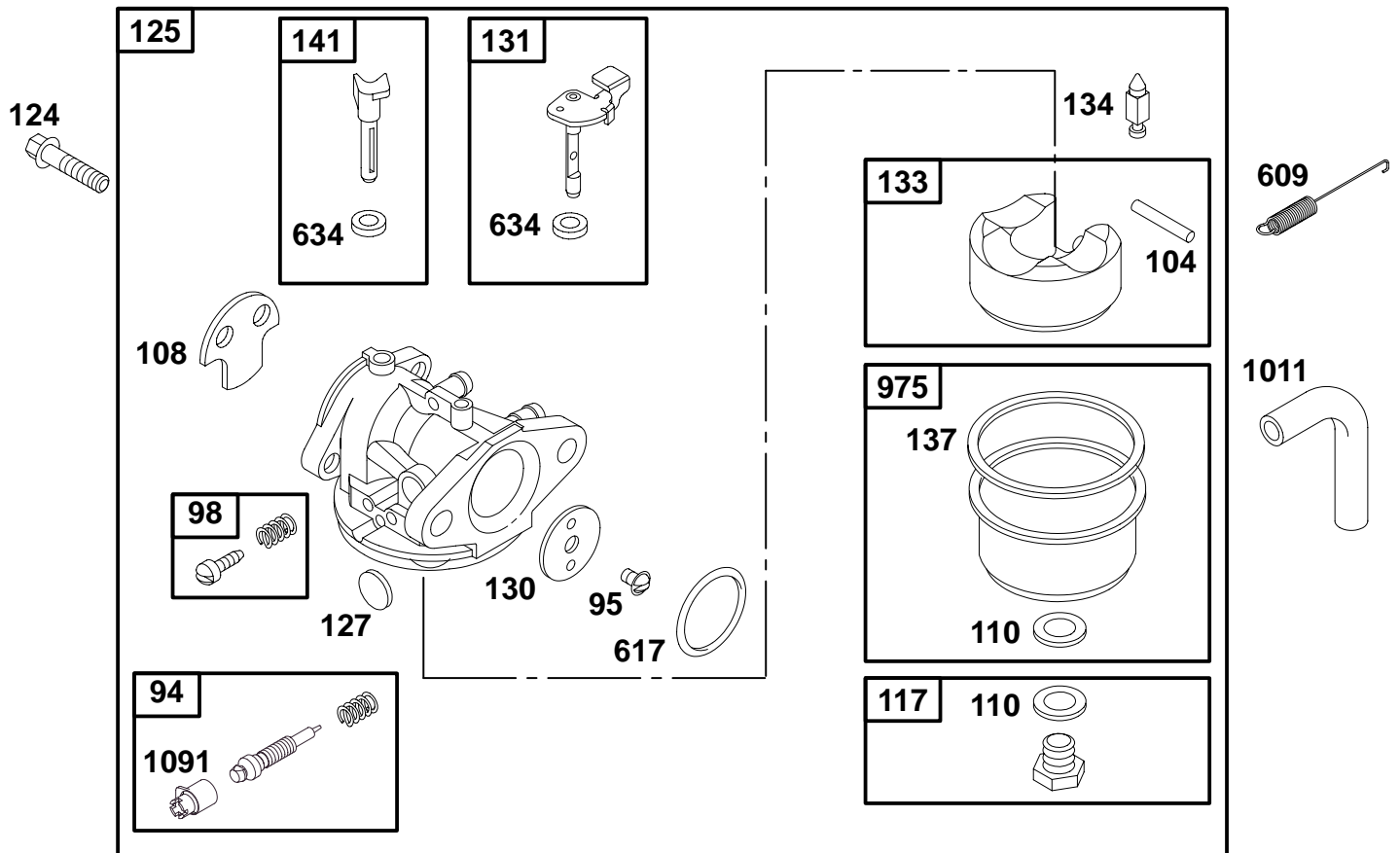
★ Included in Gasket Set-See Ref. No. 358.

△ Included in Valve Overhaul Kit-See Ref. No. 1033.

◆ Included in Carburetor Gasket Set-Part No. 490937.

● Included in Carburetor Kit-See Ref. No. 121.

99700 to 99799



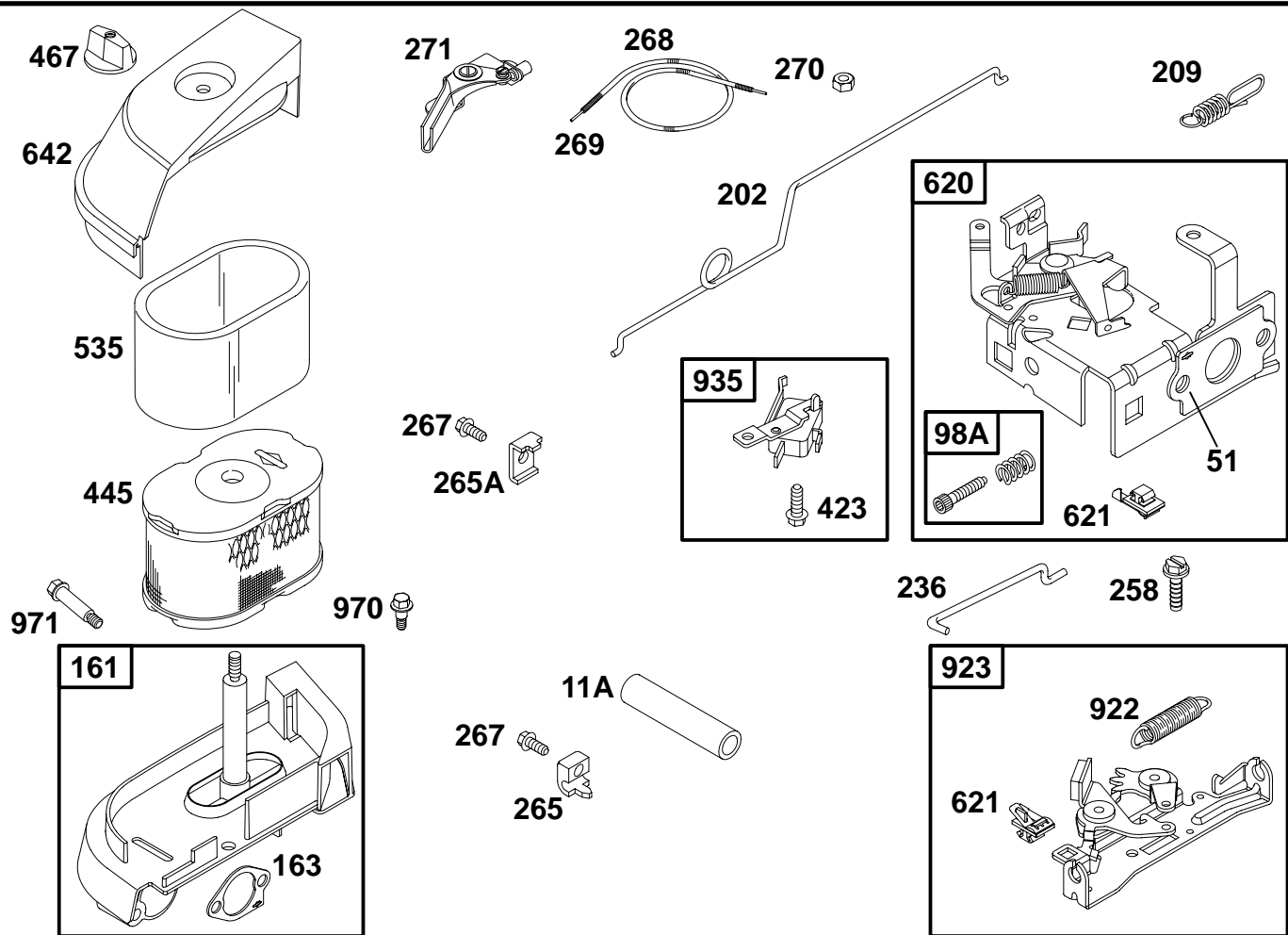
| REF. NO. | PART NO. | DESCRIPTION | REF. NO. | PART NO. | DESCRIPTION | REF. NO. | PART NO. | DESCRIPTION |
|----------|----------|--|----------|----------|--|----------|----------|---|
| 94 | ●497717 | Valve-Idle Adjustment (Used After Code Date 94112000). | | | Note | 134 | ●398188 | Valve-Needle (Includes Seat) |
| | | Note | | | 494870 | | | Jet-Main (Standard) |
| | | ●493765 Valve-Idle Adjustment (Used Before Code Date 94112100). | | | (Used Before Code Date 94112100). | 137 | ◆◆ | Gasket-Float Bowl (Sold in Kit Only) |
| 95 | 94098 | Screw-Round Head | | | 496495 | | | Jet-Main (High Altitude) |
| 98 | 398185 | Screw-Idle Speed | 124 | 94656 | Screw-Shoulder | 617 | ◆◆270344 | Seal-Intake Manifold |
| 104 | ●231371 | Pin-Float Hinge | 125 | 497718 | Carburetor (Used After Code Date 94112000). | 634 | ◆◆ | Washer-Shaft (Sold in Kit Only) |
| 108 | 223471 | Valve-Choke | | | 494971 | | | Bowl-Float |
| 110 | ◆◆ | Washer-Bowl (Sold in Kit Only) | | | Carburetor (Used Before Code Date 94112100). | 1011 | 281244 | Tube-Vent |
| 117 | 498667 | Jet-Main (Standard) (Used After Code Date 94112000). | 127 | ● | Plug-Welch (Sold in Kit Only) | 1091 | ●281425 | Cap-Limiter (Used After Code Date 94112000). |
| | | 497348 Jet-Main (High Altitude) (Used After Code Date 94112000). | 130 | 223470 | Valve-Throttle | | | |
| | | | 131 | 493267 | Shaft-Throttle | | | |
| | | | 133 | 398187 | Float-Carburetor | | | |

★ Included in Gasket Set-See Ref. No. 358.

△ Included in Valve Overhaul Kit-See Ref. No. 1033.

◆ Included in Carburetor Gasket Set-Part No. 490937.

● Included in Carburetor Kit-See Ref. No. 121.

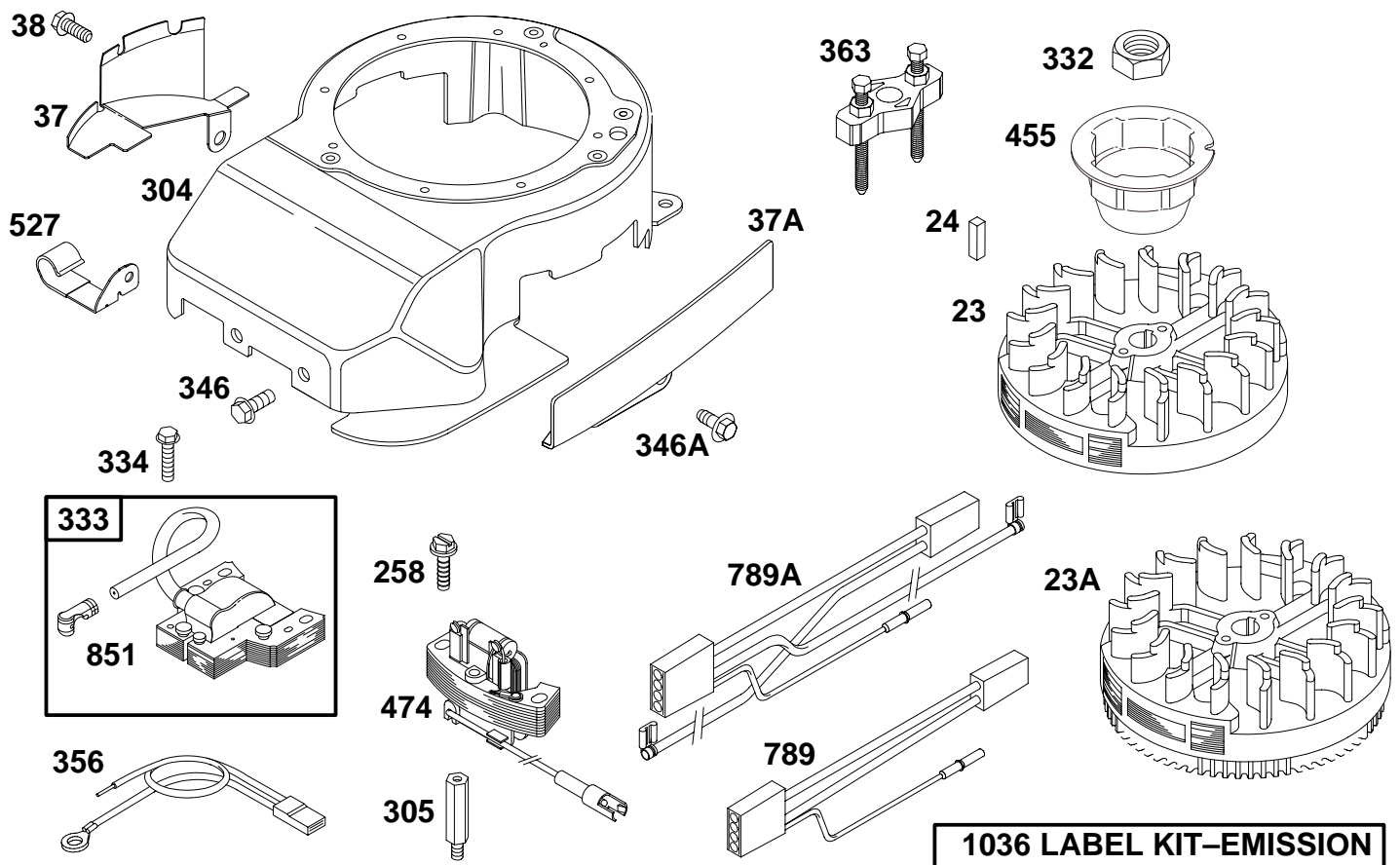


| REF. NO. | PART NO. | DESCRIPTION | REF. NO. | PART NO. | DESCRIPTION | REF. NO. | PART NO. | DESCRIPTION |
|----------|----------|---|----------|----------|--|----------|----------|---|
| 11A | 281418 | Tube-Breather (Used After Code Date 93101700). Note 281201 Tube-Breather (Used Before Code Date 93101800). | 236 | 262461 | Link-Lock Out | 467 | 493903 | Knob |
| 51 | ★Δ272487 | Gasket-Intake | 258 | 94512 | Screw-Slotted Hex. | 535 | 272533 | Filter-Air |
| 98A | 493280 | Screw-Idle Speed | 265 | 213146 | Clamp-Casing | 620 | 494538 | Bracket-Control |
| 161 | 494729 | Base-Air Cleaner Plastic | 265A | 221535 | Clamp-Casing | 621 | 396847 | Switch-Stop |
| 163 | ★272512 | Gasket-Air Cleaner | 267 | 94694 | Screw-Slotted Hex. | 642 | 281196 | Cover-Air Cleaner |
| 202 | 262827 | Link-Mechanical Governor | 268 | 66986 | Casing-Wire (48" Long) (Cut to Required Length) | 922 | 262640 | Spring-Brake |
| 209 | | Spring-Governor See Last Page | 269 | 26099 | Wire-Control (54" Long) (Cut to Required Length) | 923 | 493442 | Brake |
| | | | 270 | 63426 | Locknut-Casing | 935 | 499421 | Switch-Interlock (Used After Code Date 92100600). Note 398758 Switch-Interlock (Used Before Code Date 92100700). |
| | | | 271 | 290568 | Lever-Control | 970 | 94577 | Screw-Shoulder |
| | | | 423 | 93758 | Screw-Hex. | 971 | 94655 | Screw-Shoulder |
| | | | 445 | 494586 | Filter-Air | | | |

★ Included in Gasket Set-See Ref. No. 358.
 Δ Included in Valve Overhaul Kit-See Ref. No. 1033.
 ◆ Included in Carburetor Gasket Set-Part No. 490937.

● Included in Carburetor Kit-See Ref. No. 121.

99700 to 99799



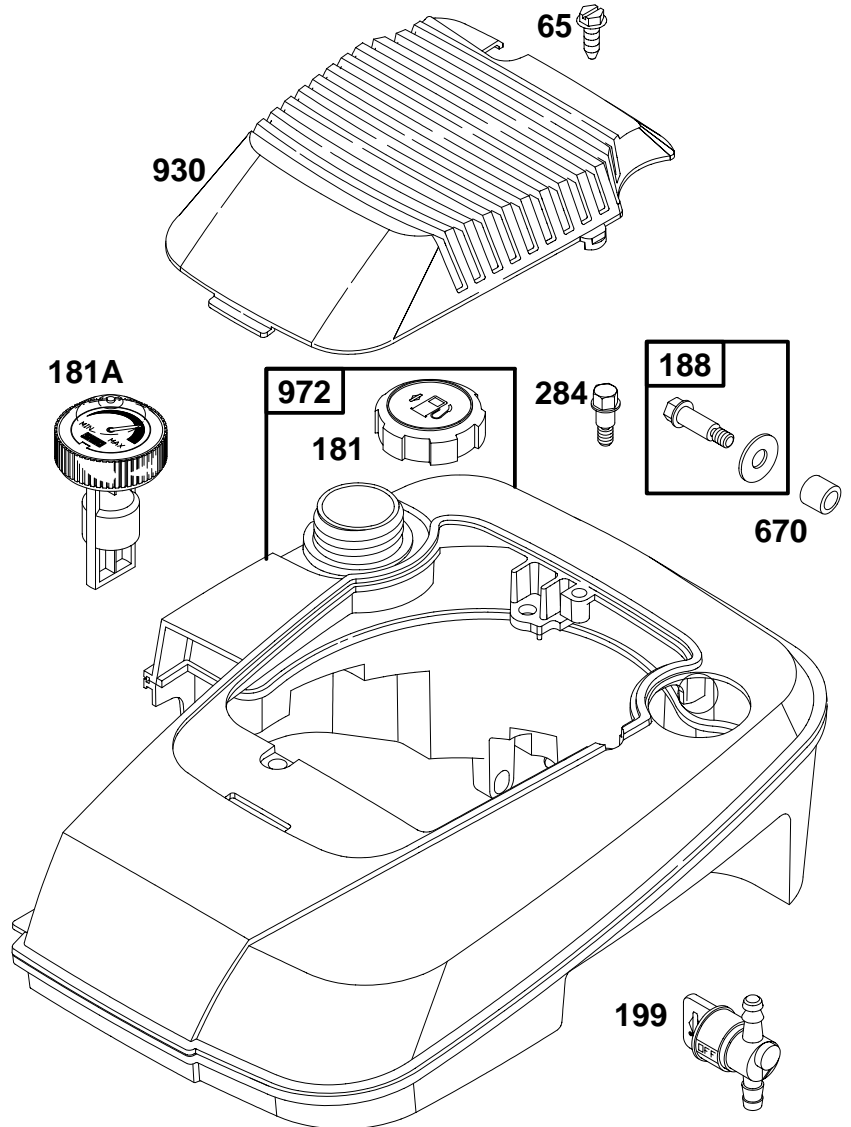
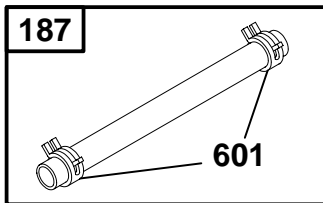
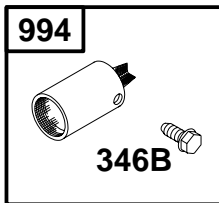
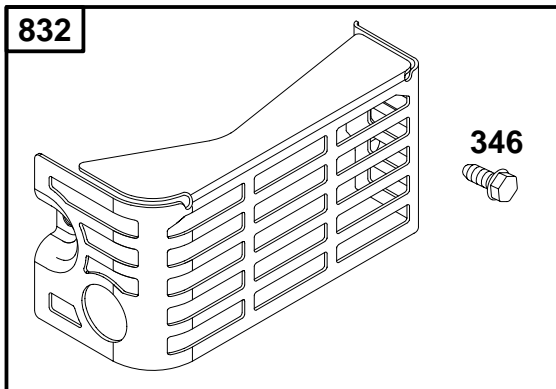
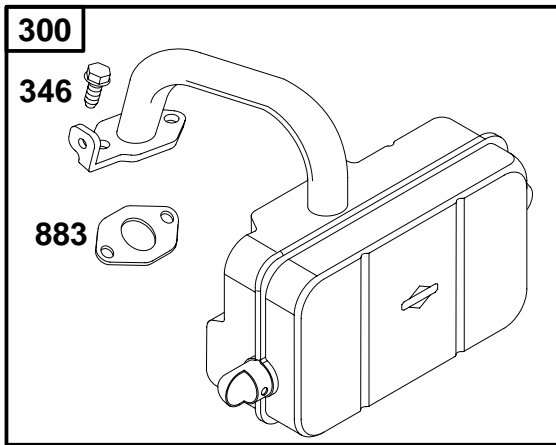
| REF. NO. | PART NO. | DESCRIPTION | REF. NO. | PART NO. | DESCRIPTION | REF. NO. | PART NO. | DESCRIPTION |
|----------|----------|----------------------|----------|----------|-------------------------|----------|----------|------------------------|
| 23 | 492177 | Flywheel | 333 | 802574 | Armature-Magneto | 789 | 494543 | Harness-Wiring |
| 23A | 492175 | Flywheel | 334 | 94731 | Screw-Hex. | | | Used on Engines |
| | | Note | 346 | 94513 | Screw-Hex. | 789A | 494544 | Harness-Wiring |
| | 492893 | Flywheel | 346A | 94582 | Screw-Hex. | | | Used on Engines |
| | | Used on Type No(s). | 356 | 398808 | Wire-Stop | | | With Band Brake. |
| | | 0625, 0626, 0636, | | | Note | | | Used on Engines With |
| | | 0925. | | 496381 | Wire-Stop | | | Band Brake Except as |
| 24 | 222698 | Key-Flywheel | | | (Used After Code Date | | | Listed Below: |
| 37 | 224511 | Guard-Flywheel | | 496721 | Wire-Stop | | | Note |
| 37A | 281206 | Guard-Flywheel | | | (Used Before Code | | | 493380 Harness- |
| 38 | 94786 | Screw-Hex. | | 398153 | Wire-Stop | | | Wiring |
| 258 | 94512 | Screw-Slotted Hex. | | | (Used Before Code | | | Used on Type No(s). |
| 304 | 494961 | Housing-Blower | | | Date 93080400). | | | 0916, 3616. |
| | | Used on Engines With | | | Used on Type No(s). | | | |
| | | Band Brake. | | | 0110, 0610, 3111, | | | |
| | | Note | | | 3611, 3624. | | | |
| | 494962 | Housing- | | | 496721 Wire-Stop | | | |
| | | Blower | | | Used on Type No(s). | | | |
| | | Used on Engines | 363 | 19069 | 0625. | | | |
| | | Without Band Brake. | 455 | 225121 | Flywheel Puller | | | |
| 305 | 94510 | Stud-Stator Mounting | 474 | 492841 | Cup-Flywheel | | | |
| 332 | 92284 | Nut-Flywheel | 527 | 224722 | Alternator | | | |
| | | | | | Clamp-Tube | | | |
| | | | | | | | | 0951. |

★ Included in Gasket Set-See Ref. No. 358.

△ Included in Valve Overhaul Kit-See Ref. No. 1033.

◆ Included in Carburetor Gasket Set-Part No. 490937.

● Included in Carburetor Kit-See Ref. No. 121.



| REF. NO. | PART NO. | DESCRIPTION | REF. NO. | PART NO. | DESCRIPTION | REF. NO. | PART NO. | DESCRIPTION |
|----------|----------|---------------------------------------|----------|----------|-----------------|----------|----------|------------------|
| 65 | 94058 | Screw-Hex. | 199 | 494768 | Valve-Shut Off | 670 | 280512 | Spacer-Fuel Tank |
| 181 | 397974 | Cap-Fuel Tank | 284 | 94511 | Screw-Shoulder | 832 | 494719 | Guard-Muffler |
| 181A | 494277 | Cap-Fuel Tank | 300 | 494717 | Muffler-Exhaust | 883 | ★△272313 | Gasket-Exhaust |
| 187 | 296004 | Line-Fuel (Cut to Required Length) | 346 | 94513 | Screw-Hex. | 930 | 281406 | Guard-Rewind |
| 188 | 398540 | Screw-Shoulder | 346B | 93705 | Screw-Hex. | 972 | 494973 | Tank-Fuel |
| | | | 601 | 93053 | Clamp-Hose | 994 | 493662 | Arrester-Spark |

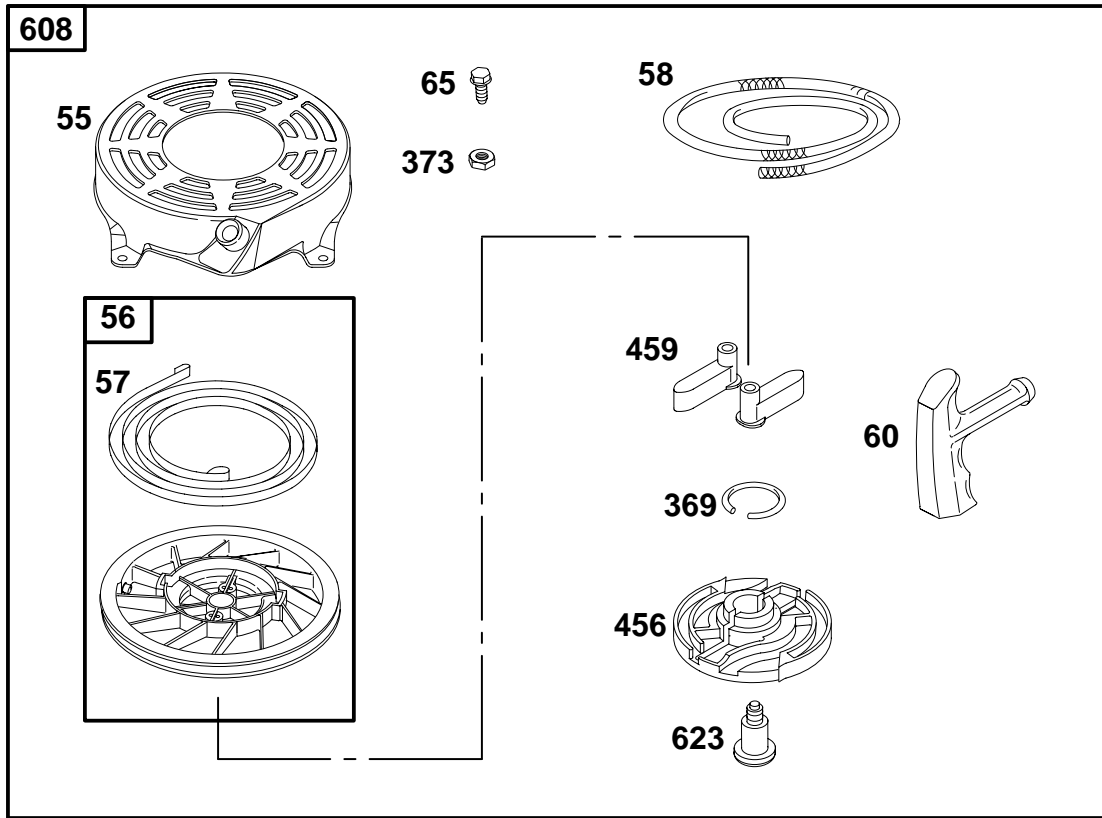
★ Included in Gasket Set-See Ref. No. 358.

△ Included in Valve Overhaul Kit-See Ref. No. 1033.

◆ Included in Carburetor Gasket Set-Part No. 490937.

● Included in Carburetor Kit-See Ref. No. 121.

99700 to 99799



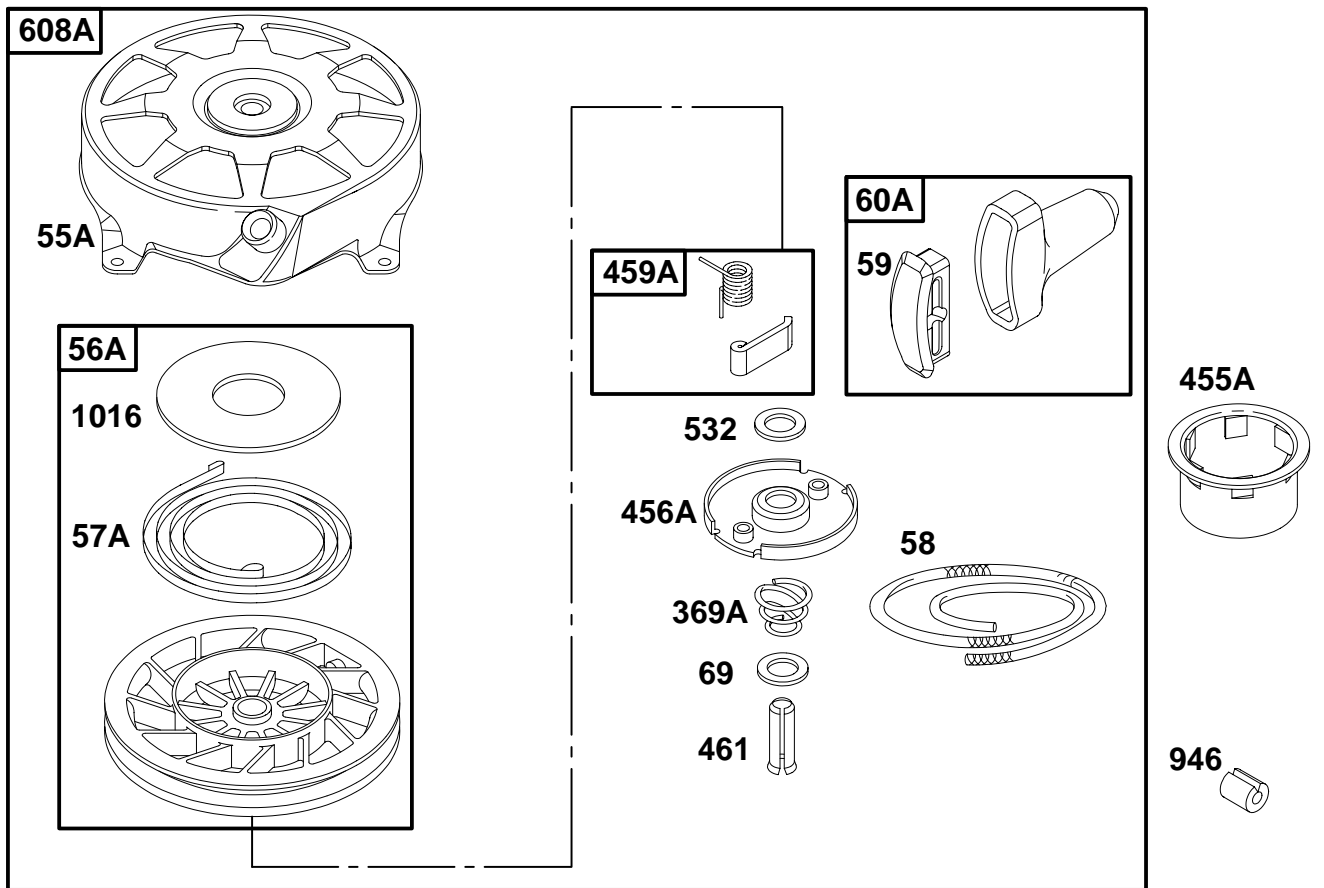
| REF. NO. | PART NO. | DESCRIPTION | REF. NO. | PART NO. | DESCRIPTION | REF. NO. | PART NO. | DESCRIPTION |
|----------|----------|--|----------|----------|-------------------|----------|----------|----------------|
| 55 | 497440 | Housing—Rewind Starter | 60 | 281434 | Grip—Starter Rope | 459 | 281505 | Pawl—Ratchet |
| 56 | 498144 | Pulley—Starter | 65 | 94128 | Screw—Hex. | 608 | 497680 | Starter—Rewind |
| 57 | 263074 | Spring—Rewind Starter | 369 | 263073 | Spring—Friction | 623 | 94943 | Screw—Shoulder |
| 58 | 280399 | Rope—Starter (Cut to Required Length) | 373 | 92987 | Nut—Hex. | | | |
| | | | 456 | 281503 | Retainer—Spring | | | |

★ Included in Gasket Set—See Ref. No. 358.

△ Included in Valve Overhaul Kit—See Ref. No. 1033.

◆ Included in Carburetor Gasket Set—Part No. 490937.

● Included in Carburetor Kit—See Ref. No. 121.



| REF. NO. | PART NO. | DESCRIPTION | REF. NO. | PART NO. | DESCRIPTION | REF. NO. | PART NO. | DESCRIPTION |
|----------|----------|--|----------|----------|-----------------|----------|----------|---------------------------------------|
| 55A | 494671 | Housing-Rewind Starter | 69 | 224322 | Washer | 608A | 494960 | Starter-Rewind |
| 56A | 493824 | Pulley-Starter | 369A | 262625 | Spring-Friction | | | Include(s): |
| 57A | 262594 | Spring-Rewind Starter | 455A | 224250 | Cup-Flywheel | | | 497680 Starter-Rewind |
| 58 | 280399 | Rope-Starter (Cut to Required Length) | 456A | 224321 | Retainer-Spring | | | (Ref. No. 608) |
| 59 | 396892 | Insert-Grip | 459A | 492833 | Pawl-Ratchet | | | 225121 Cup-Flywheel (Ref. No. 455) |
| 60A | 393152 | Grip-Starter Rope | 461 | 262626 | Pin-Shaft | 946 | 223294 | Stop-Rope |
| | | | 532 | 280973 | Washer-Seal | 1016 | 224278 | Spacer-Rewind |

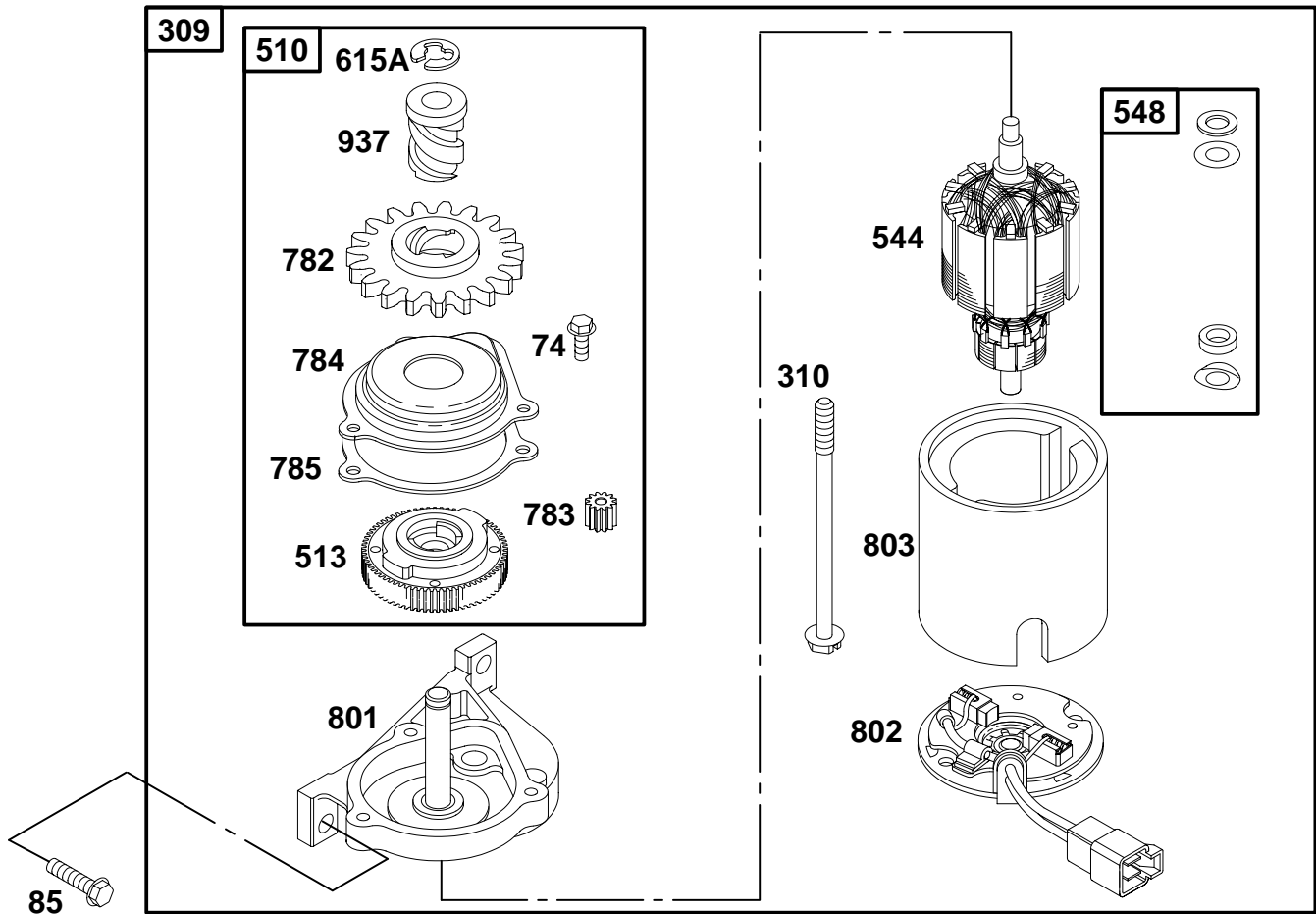
★ Included in Gasket Set-See Ref. No. 358.

△ Included in Valve Overhaul Kit-See Ref. No. 1033.

◆ Included in Carburetor Gasket Set-Part No. 490937.

● Included in Carburetor Kit-See Ref. No. 121.

99700 to 99799



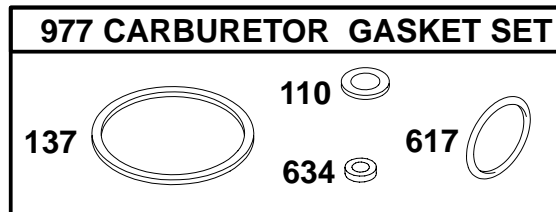
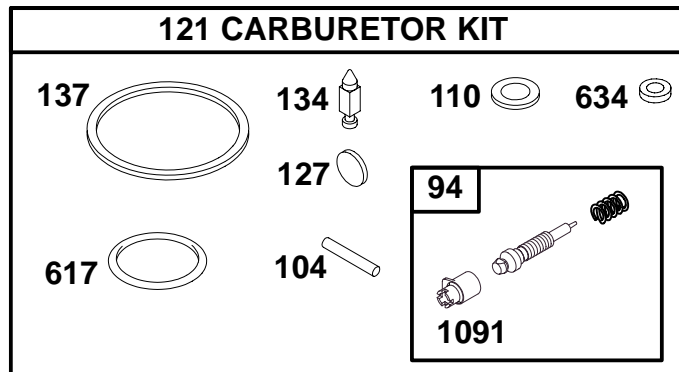
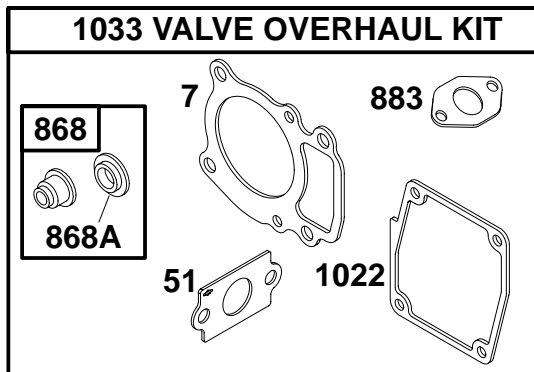
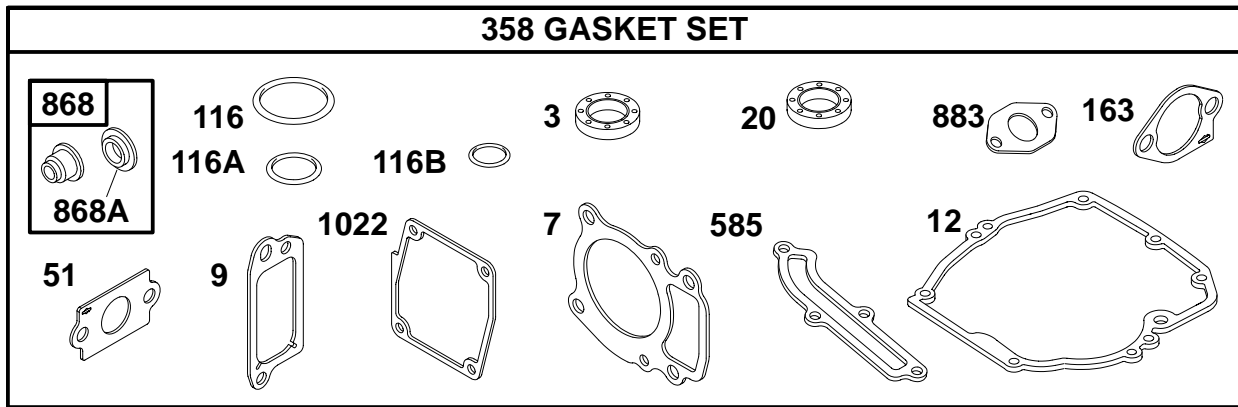
| REF. NO. | PART NO. | DESCRIPTION | REF. NO. | PART NO. | DESCRIPTION | REF. NO. | PART NO. | DESCRIPTION |
|----------|----------|--------------------|----------|----------|------------------|----------|----------|-----------------|
| 74 | 93490 | Screw-Hex. | 544 | 492921 | Armature-Starter | 785 | 272201 | Gasket-Cover |
| 85 | 94974 | Screw-Hex. | 548 | 492919 | Washer Set | 801 | 492335 | Cap-Drive |
| 309 | 494233 | Motor-Starter | 615A | 93941 | Retainer | 802 | 492922 | Cap-End |
| 310 | 94051 | Screw-Slotted Hex. | 782 | 281127 | Gear-Starter | 803 | 492920 | Housing-Starter |
| 510 | 494147 | Drive-Starter | 783 | 261606 | Gear-Starter | 937 | 281125 | Spline-Starter |
| 513 | 394815 | Clutch-Drive | 784 | 224262 | Cover-Gear | | | |

★ Included in Gasket Set—See Ref. No. 358.

△ Included in Valve Overhaul Kit—See Ref. No. 1033.

◆ Included in Carburetor Gasket Set—Part No. 490937.

● Included in Carburetor Kit—See Ref. No. 121.



| REF. NO. | PART NO. | DESCRIPTION | REF. NO. | PART NO. | DESCRIPTION | REF. NO. | PART NO. | DESCRIPTION |
|----------|----------|---|----------|----------|---|----------|----------|--|
| 3 | ★299819 | Seal—Oil | | | (Sold in Kit Only) | 358 | 496055 | Gasket Set |
| 7 | ★△272314 | Gasket—Cylinder Head | 116 | ★280891 | Seal—O—Ring | 585 | ★272238 | Gasket—Breather Passage |
| 9 | ★272481 | Gasket—Breather | 116A | ★280393 | Seal—O—Ring | 617 | ◆◆270344 | Seal—Intake Manifold |
| 12 | ★272324 | Gasket—Crankcase | 116B | ★280966 | Seal—O—Ring | 634 | ◆◆ | Washer—Shaft (Sold in Kit Only) |
| 20 | ★399781 | Seal—Oil | 121 | 497719 | Carburetor Kit (Used After Code Date 94112000). | 868 | ★△495773 | Seal—Valve |
| 51 | ★△272487 | Gasket—Intake | | | 493762 Carburetor Kit (Used Before Code Date 94112100). | 868A | ★△272376 | Seal—Valve |
| 94 | ◆497717 | Valve—Idle Adjustment (Used After Code Date 94112000). | 127 | ● | Plug—Welch (Sold in Kit Only) | 883 | ★△272313 | Gasket—Exhaust |
| | | Note | 134 | ◆398188 | Valve—Needle (Includes Seat) | 977 | 490937 | Gasket Set—Carburetor |
| | | ◆493765 Valve—Idle Adjustment (Used Before Code Date 94112100). | 137 | ◆◆ | Gasket—Float Bowl (Sold in Kit Only) | 1022 | ★△272323 | Gasket—Rocker Cover |
| 104 | ◆231371 | Pin—Float Hinge | 163 | ★272512 | Gasket—Air Cleaner | 1033 | 496056 | Kit—Valve Overhaul |
| 110 | ◆◆ | Washer—Bowl | | | | 1091 | ◆281425 | Cap—Limiter (Used After Code Date 94112000). |

★ Included in Gasket Set—See Ref. No. 358.

△ Included in Valve Overhaul Kit—See Ref. No. 1033.

◆ Included in Carburetor Gasket Set—Part No. 490937.

● Included in Carburetor Kit—See Ref. No. 121.

99700 to 99799

| REF. NO. | PART NO. | DESCRIPTION | REF. NO. | PART NO. | DESCRIPTION | REF. NO. | PART NO. | DESCRIPTION | | |
|----------|----------|---|----------|----------|---|----------|----------|---|--|--|
| 16 | 494638 | Crankshaft Note 493725 Crankshaft Used on Type No(s). 0638, 0938. 497334 Crankshaft Used on Type No(s). 0118, 3025, 3111. 494637 Crankshaft Used on Type No(s). 0100, 0102, 0103, 0112, 0116, 3015, 3101, 3103, 3120, 3143. 494639 Crankshaft Used on Type No(s). 0110, 0111, 0115, 3026. 495515 Crankshaft Used on Type No(s). 0623. 495793 Crankshaft Used on Type No(s). 0618, 0622, 0633, 0825, 0918, 0945, 0950, 0951, 0953, 3525, 3611, 3617, 3624, 3625. | | | | | | | | |
| | | | | | 495794 Crankshaft Used on Type No(s). 0824, 3641. 495795 Crankshaft Used on Type No(s). 0612, 0625, 0626, 0630, 0636, 0815, 0916, 0920, 0925, 0935, 0942, 3515, 3601, 3608, 3616, 3620, 3642, 3643. 495796 Crankshaft Used on Type No(s). 0601, 0606, 0614, 0619, 0621, 0632, 0634, 0814, 0816, 0932, 0934, 3612, 3613, 3650. 495797 Crankshaft Used on Type No(s). 0610, 0611, 0615, 0624, 0637, 0826, 0937. | | | | | |
| | | | 209 | 262678 | Spring-Governor Note 262657 Spring-Governor Used on Type No(s). 0110, 0610, 0625, 0925, 0945, 0951, 0953, 3111, 3611, 3617, 3624, 3625. | | | | | |
| | | | | | | | | 262659 Spring-Governor Used on Type No(s). 0100, 0103, 0626, 0636, 0815, 0816, 0824, 0825, 0826, 0942, 3015, 3016, 3024, 3025, 3026, 3101, 3103, 3114, 3141, 3142, 3515, 3525, 3601, 3608, 3641, 3642. 262660 Spring-Governor Used on Type No(s). 3143, 3643. 262661 Spring-Governor Used on Type No(s). 0638, 0938, 0950. 262665 Spring-Governor Used on Type No(s). 0115, 0615, 0637, 0937, 3112, 3113, 3612, 3613. 262666 Spring-Governor Used on Type No(s). 0116, 0619, 0622. 262667 Spring-Governor Used on Type No(s). 0633, 0916, 0920, 3120, 3616, 3620. | | |

★ Included in Gasket Set—See Ref. No. 358.
 Δ Included in Valve Overhaul Kit—See Ref. No. 1033.
 ◆ Included in Carburetor Gasket Set—Part No. 490937.

● Included in Carburetor Kit—See Ref. No. 121.