

**9A400**

# Illustrated Parts List

## Model Series

# 9A400

TYPE NUMBERS  
0202, 0203, 0267.

### TABLE OF CONTENTS

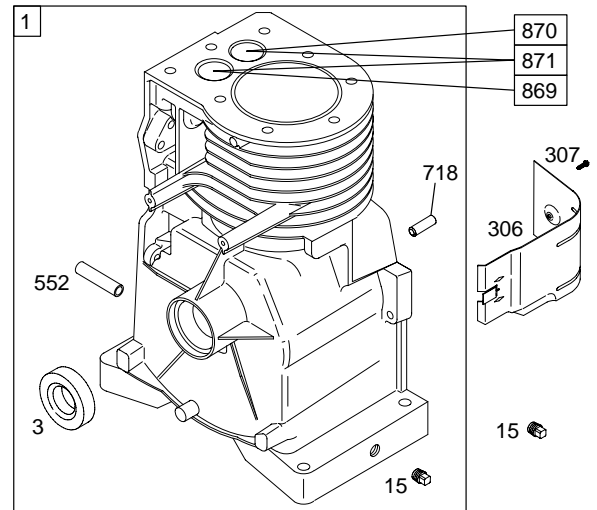
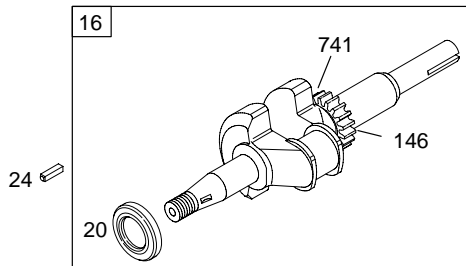
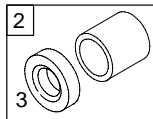
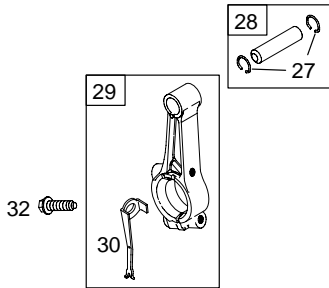
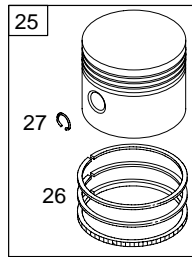
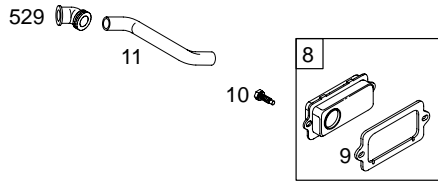
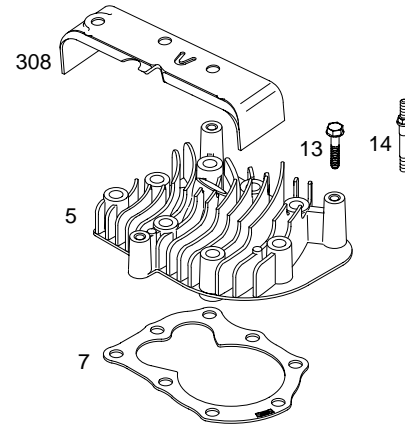
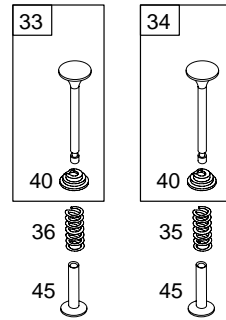
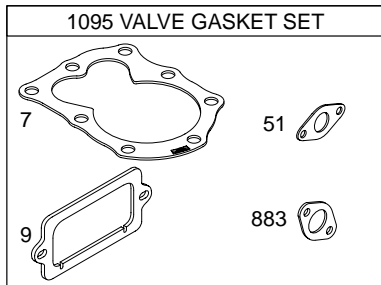
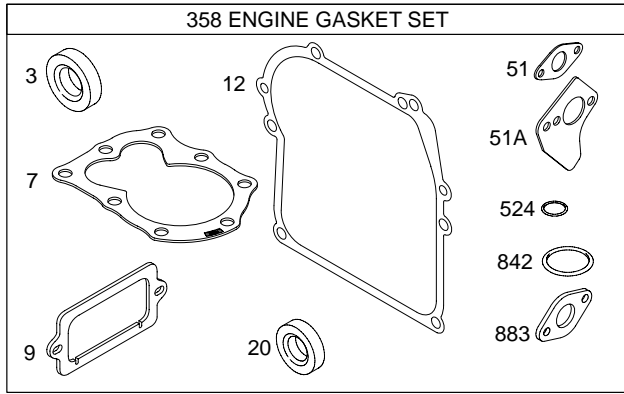
<b>Blower Housing</b> .....	7
<b>Cams</b> .....	2
<b>Carburetor</b> .....	4
<b>Controls</b> .....	5
<b>Crankcase Cover/Sump</b> .....	3
<b>Crankshaft</b> .....	2
<b>Cylinder</b> .....	2
<b>Flywheel</b> .....	7
<b>Governor Spring</b> .....	5
<b>Head</b> .....	2
<b>Ignition</b> .....	5
<b>Kits/Gaskets-Carburetor</b> .....	4
<b>Kits/Gaskets-Valve/Engine</b> .....	2
<b>Muffler</b> .....	6
<b>Oil</b> .....	3
<b>Piston Group</b> .....	2
<b>Rewind</b> .....	7
<b>Valves</b> .....	2



PRINTED IN U.S.A.

COPYRIGHT by BRIGGS & STRATTON CORPORATION  
All rights reserved. No part of this material may be reproduced or transmitted, in any form or by any means, electronic or mechanical, including photocopying, recording or by any information storage and retrieval system, without permission in writing from Briggs & Stratton Corporation.

# 9A400

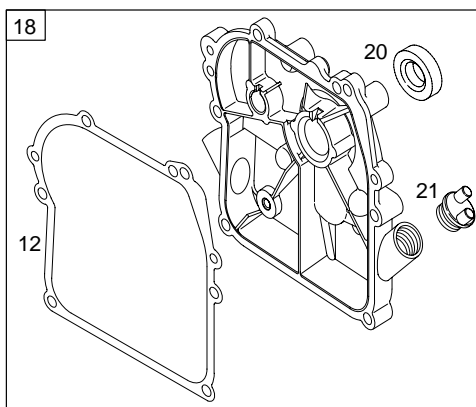
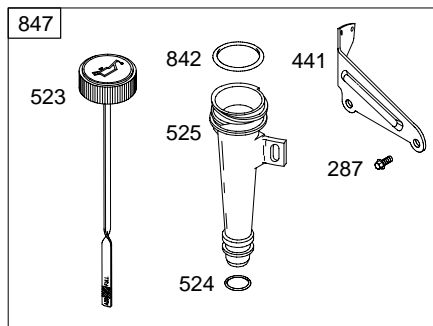


1019 LABEL KIT

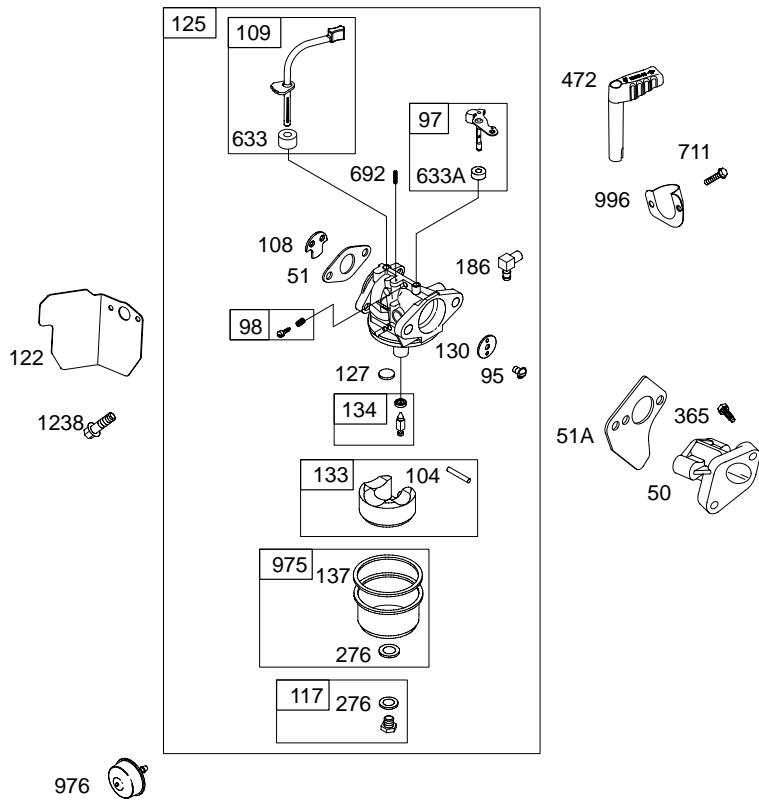
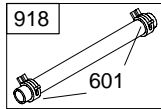
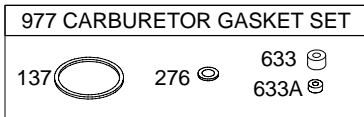
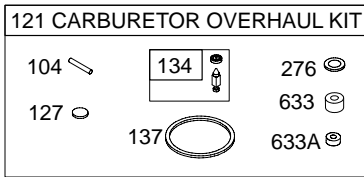
1058 OWNER'S MANUAL

1330 REPAIR MANUAL

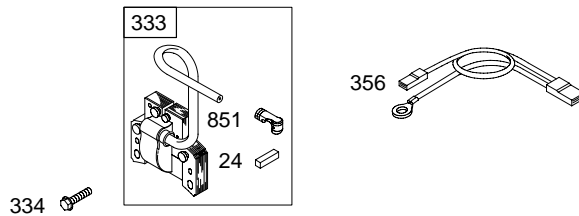
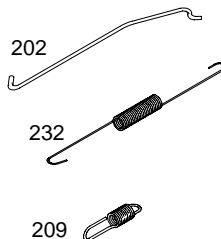
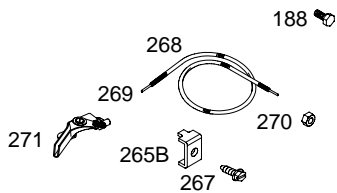
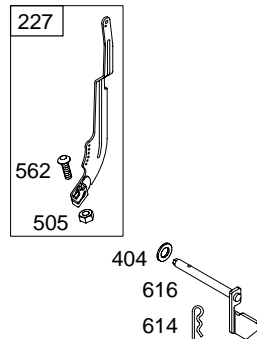
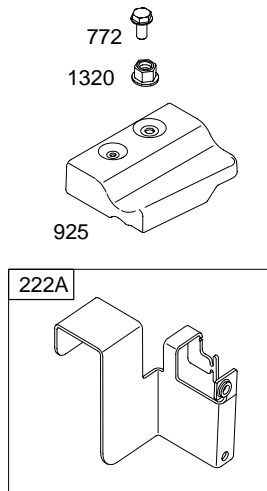
Illustrations cover a range of engines. Parts shown without corresponding text may not be used on your specific engine.  
5652 Assemblies include all parts shown in frames. 05/17/2004

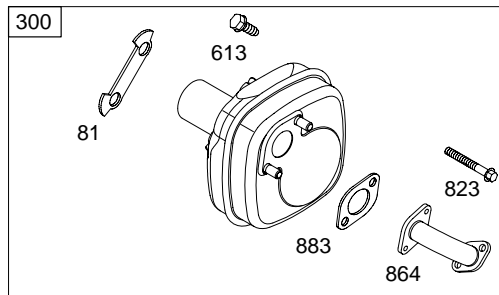


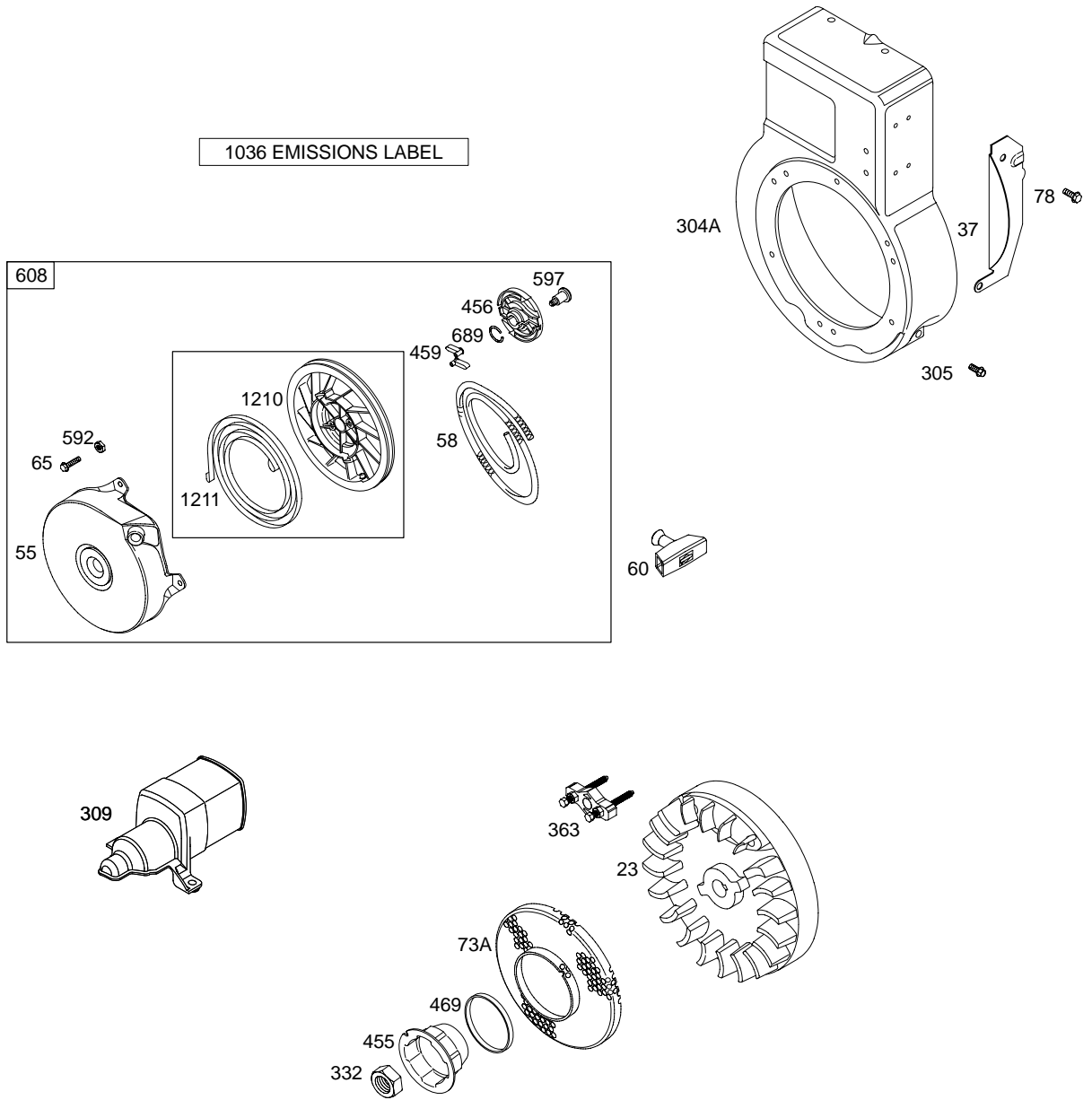
5652 *Illustrations cover a range of engines. Parts shown without corresponding text may not be used on your specific engine.* Assemblies include all parts shown in frames. 05/17/2004



Illustrations cover a range of engines. Parts shown without corresponding text may not be used on your specific engine.  
 5652 Assemblies include all parts shown in frames. 05/17/2004







Illustrations cover a range of engines. Parts shown without corresponding text may not be used on your specific engine.  
5652 Assemblies include all parts shown in frames. 05/17/2004

# 09A400

REF. NO.	PART NO.	DESCRIPTION	REF. NO.	PART NO.	DESCRIPTION	REF. NO.	PART NO.	DESCRIPTION			
1	699088	Cylinder Assembly	27	691588	Lock-Piston Pin	104	●691242	Pin-Float Hinge			
2	399269	Kit-Bushing/Seal (Magneto Side)	28	298908	Pin-Piston (.005" Oversize)	108	695807	Valve-Choke			
3	★299819	Seal-Oil (Magneto Side)			<b>Note</b>	109	496860	Shaft-Choke			
5	690386	Head-Cylinder			298909 Pin-Piston (Standard)	117	498978	Jet-Main (Standard)			
7	★Δ692288	Gasket-Cylinder Head	29	296079	Rod-Connecting (.020" Undersize)	121	498260	Kit-Carburetor Overhaul			
8	699448	Breather Assembly			<b>Note</b>	122	699086	Spacer-Carburetor			
9	★Δ695890	Gasket-Breather			294367 Rod- Connecting (Standard)	125	699103	Carburetor			
10	691666	Screw (Breather Assembly)			30	691719	Dipper-Connecting Rod	127	●694468	Plug-Welch	
11	★Δ691246	Tube-Breather	32	691664	Screw (Connecting Rod)	130	691203	Valve-Throttle	133	398187	Float-Carburetor
12	★692218	Gasket-Crankcase	33	497871	Valve-Exhaust	134	●398188	Kit-Needle/Seat	137	●◆693981	Gasket-Float Bowl
13	691640	Screw (Cylinder Head)	34	296677	Valve-Intake	146	499047	Key-Timing	186	692317	Connector-Hose
14	690361	Stud (Cylinder Head)	35	690520	Spring-Valve (Intake)	188	691637	Screw (Control Bracket)			
15	691686	Plug-Oil Drain	36	690520	Spring-Valve (Exhaust)	202	692351	Link-Mechanical Governor			
16	699092	Crankshaft	37	690463	Guard-Flywheel	209	691858	Spring-Governor			
18	699096	Cover-Crankcase	40	692194	Retainer-Valve	219	496786	Gear-Governor			
20	692020	Seal-Oil (PTO Side)	45	691762	Tappet-Valve	220	691724	Washer (Governor Gear)			
21	281658	Cap-Oil Fill	46	691998	Camshaft				222A	698681	Bracket-Control
22	693732	Screw (Crankcase Cover/Sump) (Used In Positions 1 And 6)	50	691922	Manifold-Intake				227	691412	Lever-Governor Control
		<b>Note</b>	51	★Δ692283	Gasket-Intake				232	691846	Spring-Governor Link
		691129 Screw (Crankcase Cover/Sump)	51A	★273113	Gasket-Intake				265	691024	Clamp-Casing
			55	692144	Housing-Rewind Starter				267	691082	Screw (Casing Clamp)
23	496893	Flywheel	58	692259	Rope-Starter (Cut To Required Length)				268	691025	Casing-Control Wire (Cut To Required Length)
24	222698	Key-Flywheel	60	691915	Grip-Starter Rope				269	691026	Wire-Control (Cut To Required Length)
25	498668	Piston Assembly (Standard)	65	690837	Screw (Rewind Starter)				270	691027	Nut (Control Wire Casing)
		<b>Note</b>	73A	694018	Screen-Rotating				271	691028	Lever-Control
		498670 Piston Assembly (.020" Oversize)	78	690364	Screw (Flywheel Guard)				276	●◆271716	Washer-Sealing (Float Bowl)
26	695169	Ring Set (Standard)	81	691729	Lock-Muffler Screw						
		<b>Note</b>	95	691636	Screw (Throttle Valve)						
		695172 Ring Set (.020" Oversize)	97	496861	Shaft-Throttle						
			98	398185	Kit-Idle Speed						

★ Included in Engine Gasket Set-Ref. No.358.

● Included in Carburetor Overhaul Kit-Ref. No. 121.

◆ Included in Carburetor Gasket Set-Ref. No. 977.

Δ Included in Valve Gasket Set-Ref. No 1095.

**Illustrations cover a range of engines. Parts shown without corresponding text may not be used on your specific engine.**



REF. NO.	PART NO.	DESCRIPTION	REF. NO.	PART NO.	DESCRIPTION	REF. NO.	PART NO.	DESCRIPTION
287	695733	Screw (Dipstick Tube) (Used After Code Date 03092600).	505	691251	Nut (Governor Control Lever)	741	691805	Gear—Timing
		<b>Note</b>	523	699091	Dipstick	772	691003	Screw (Linkage Cover)
	691693	Screw (Dipstick Tube) (Used Before Code Date 03092700).	524	692296	Seal—Dipstick Tube	823	690661	Screw (Muffler Adapter)
300	695735	Muffler	525	699090	Tube—Dipstick	842	691031	Seal—O Ring (Dipstick Tube)
304A	699093	Housing—Blower <b>Note</b>	529	692187	Grommet	847	699089	Dipstick/Tube Assembly
	694144	Housing—Blower Used on Type No(s). 0267.	552	690508	Bushing—Governor Crank	851	493880	Terminal—Spark Plug
305	692198	Screw (Blower Housing)	562	92613	Bolt (Governor Control Lever)	864	699568	Adapter—Muffler
306	690461	Shield—Cylinder			Used on Type No(s). 0202, 0267.	869	691701	Seat—Valve (Intake)
307	691660	Screw (Cylinder Shield)			<b>Note</b>	870	691702	Seat—Valve (Exhaust)
308	690462	Cover—Cylinder Head	592	690800	Nut (Rewind Starter)	871	262001	Bushing—Valve Guide
309	699098	Motor—Starter Used on Type No(s). 0202, 0267.	597	691696	Screw (Pawl Friction Plate)	883	691880	Gasket—Exhaust
		<b>Note</b>	601	95162	Clamp—Hose	918	393815	Hose—Vacuum
	699455	Motor—Starter Used on Type No(s). 0203.	608	699105	Starter—Rewind	925	699097	Cover—Linkage
332	690662	Nut (Flywheel)	613	699554	Screw (Muffler)	975	493640	Bowl—Float
333	496914	Armature—Magneto	614	691620	Pin—Cotter	976	394281	Primer—Carburetor
334	691061	Screw (Magneto Armature)	616	692016	Crank—Governor	977	498261	Gasket Set—Carburetor
337	802592	Plug—Spark	633	◆◆693867	Seal—Choke/Throttle Shaft (Choke)	996	699099	Shield—Carburetor
356	699576	Wire—Stop	633A	◆◆691321	Seal—Choke/Throttle Shaft (Throttle)	1019	496905	Kit—Label
358	496865	Gasket Set—Engine	635	66538	Boot—Spark Plug	1036	696765	Label—Emissions
363	19069	Puller—Flywheel	689	691855	Spring—Friction	1058	275697	Manual—Owner's
365	691688	Screw (Carburetor)	692	690572	Spring—Detent	1095	699450	Gasket Set—Valve
383	89838	Wrench—Spark Plug	711	690353	Screw (Carburetor Shield)	1210	499901	Pulley/Spring Assembly (Pulley)
404	691691	Washer (Governor Crank)	718	690959	Pin—Locating	1211	499901	Pulley/Spring Assembly (Spring)
441	690484	Bracket—Oil Fill				1238	691689	Screw (Carburetor Spacer)
455	691236	Cup—Flywheel				1320	691105	Nut (Linkage Cover)
456	692299	Plate—Pawl Friction				1330	270962	Repair Manual
459	281505	Pawl—Ratchet						
469	694420	Ring—Rotating Trim						
472	699100	Knob—Choke Shaft						

★ Included in Engine Gasket Set—Ref. No.358.

● Included in Carburetor Overhaul Kit—Ref. No. 121.

◆ Included in Carburetor Gasket Set—Ref. No. 977.

△ Included in Valve Gasket Set—Ref. No 1095.

**Illustrations cover a range of engines. Parts shown without corresponding text may not be used on your specific engine.**

5652-9

Assemblies include all parts shown in frames.

05/17/2004