

Illustrated Parts List

Model Series

9B900

TYPE NUMBERS
0050 through 1652.

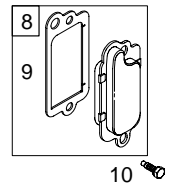
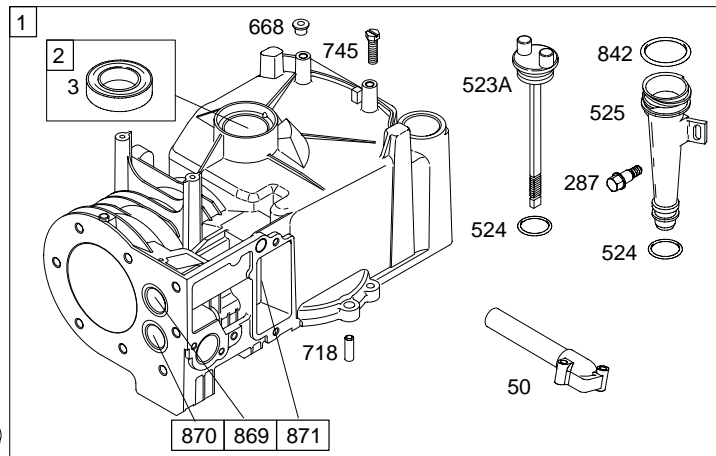
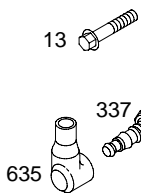
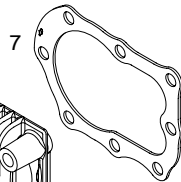
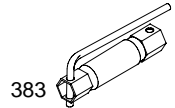
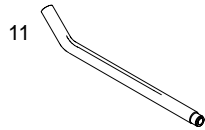
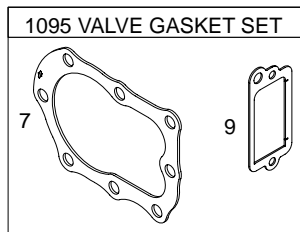
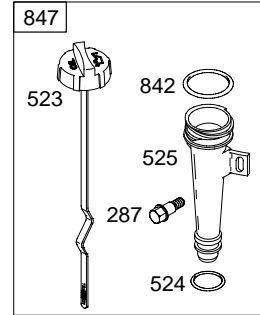
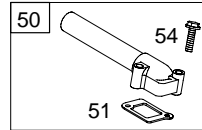
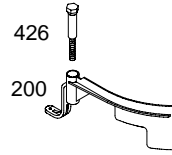
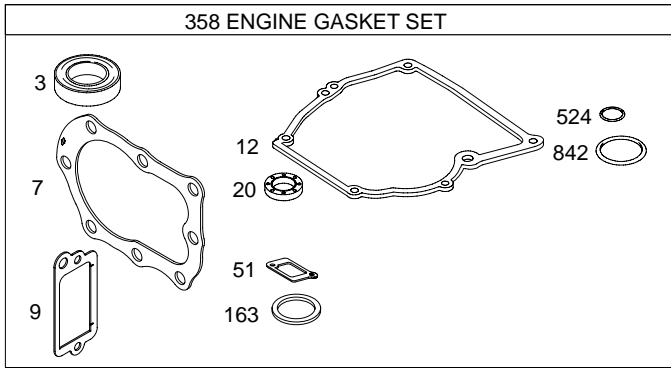
TABLE OF CONTENTS

Air Cleaner	6
Blower Housing	7
Brake	9
Cams	3
Carburetor	4
Controls	5
Covers	7
Crankcase Cover/Sump	3
Crankshaft	3
Cylinder	2
Flywheel	7
Fuel Tank	4
Governor Spring	5
Head	2
Ignition	5
Kits/Gaskets	2
Muffler	6
Oil	2
Piston Group	3
Rewind/Blower Housing 1	8
Valves	3

PRINTED IN U.S.A.



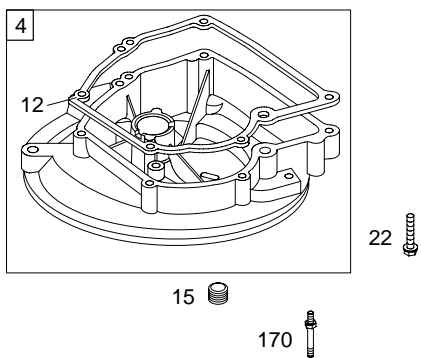
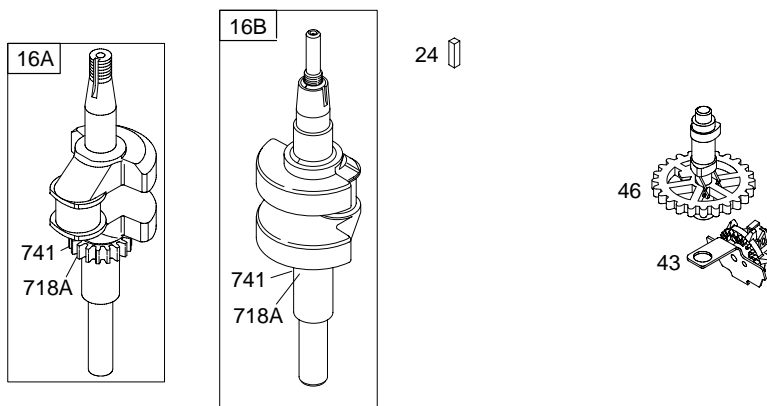
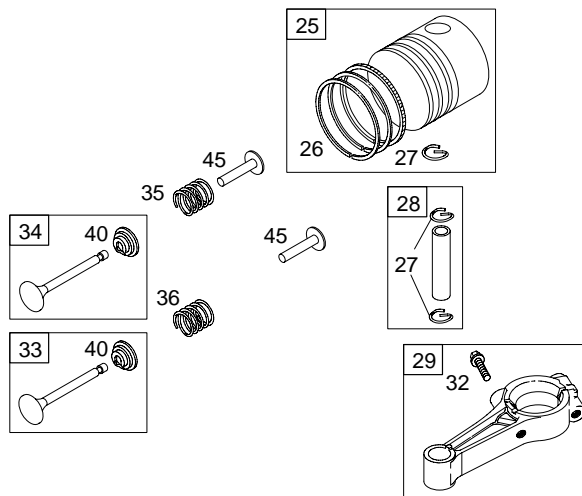
COPYRIGHT by BRIGGS & STRATTON CORPORATION
All rights reserved. No part of this material may be reproduced or transmitted,
in any form or by any means, electronic or mechanical, including photocopying,
recording or by any information storage and retrieval system, without permission
in writing from Briggs & Stratton Corporation.

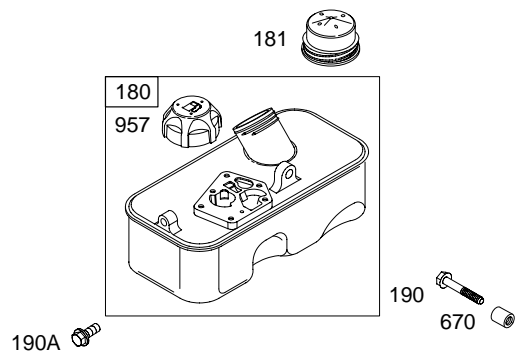
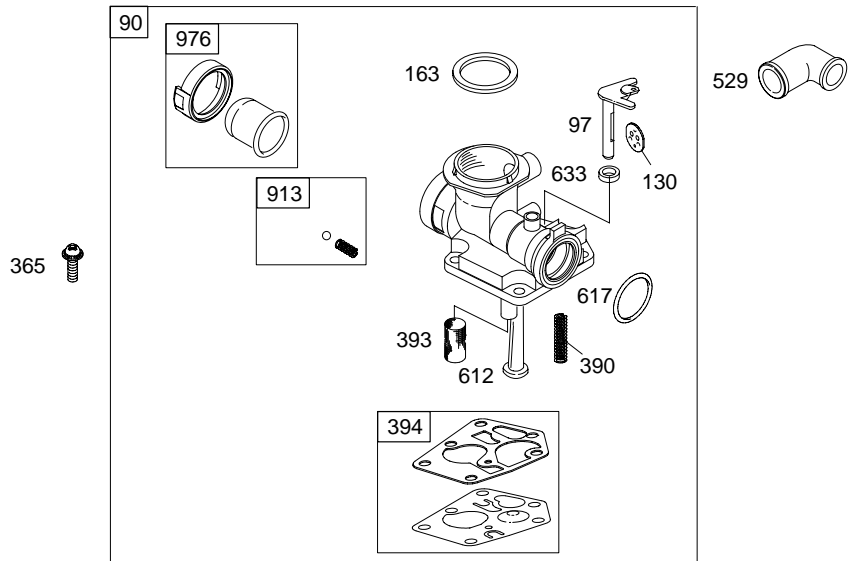


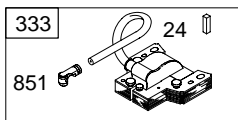
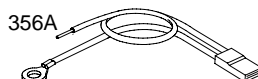
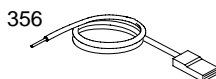
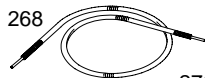
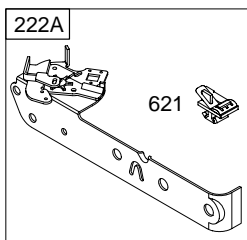
1019 LABEL KIT

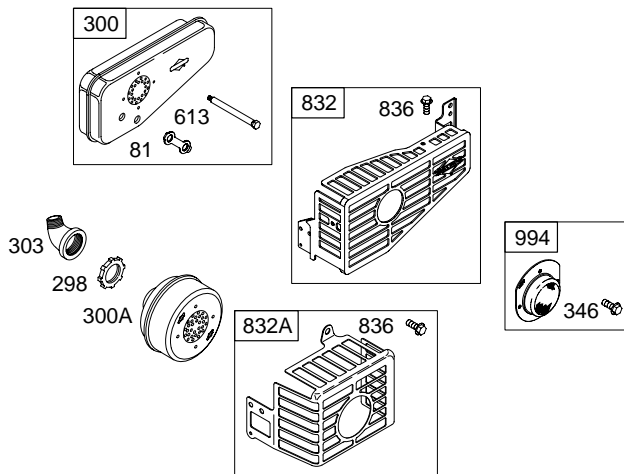
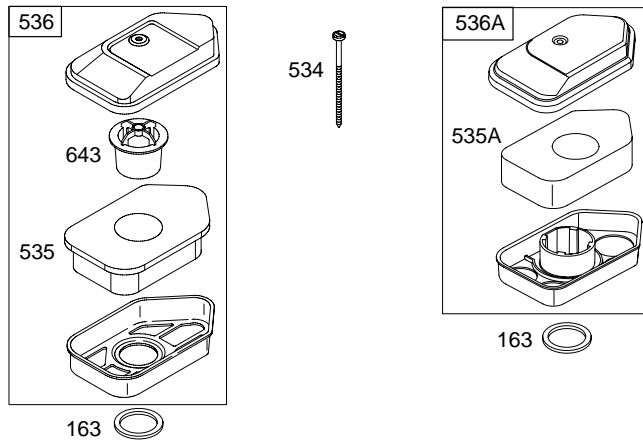
1058 OWNER'S MANUAL

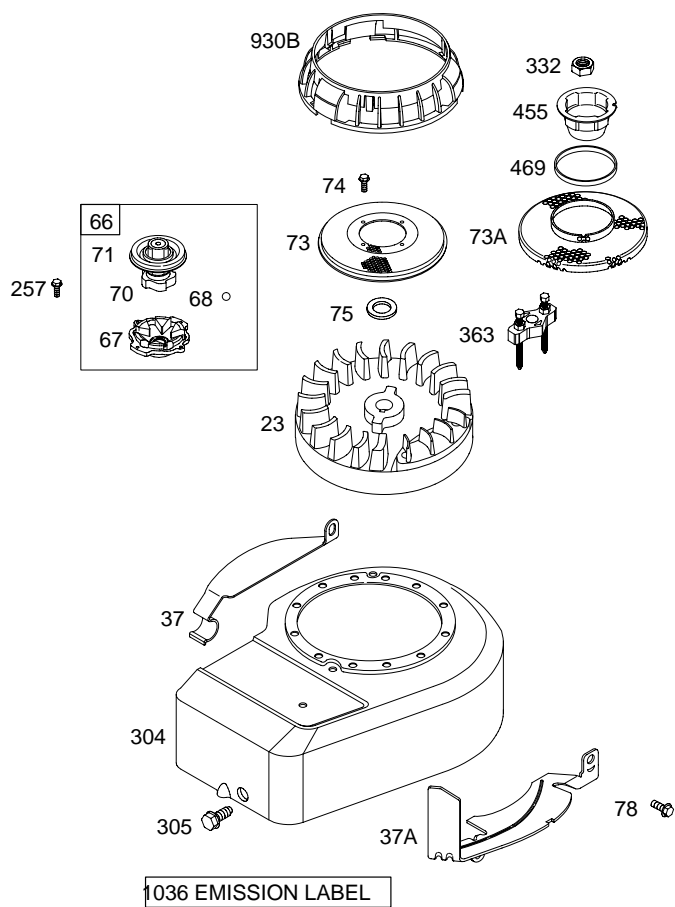
1330 REPAIR MANUAL



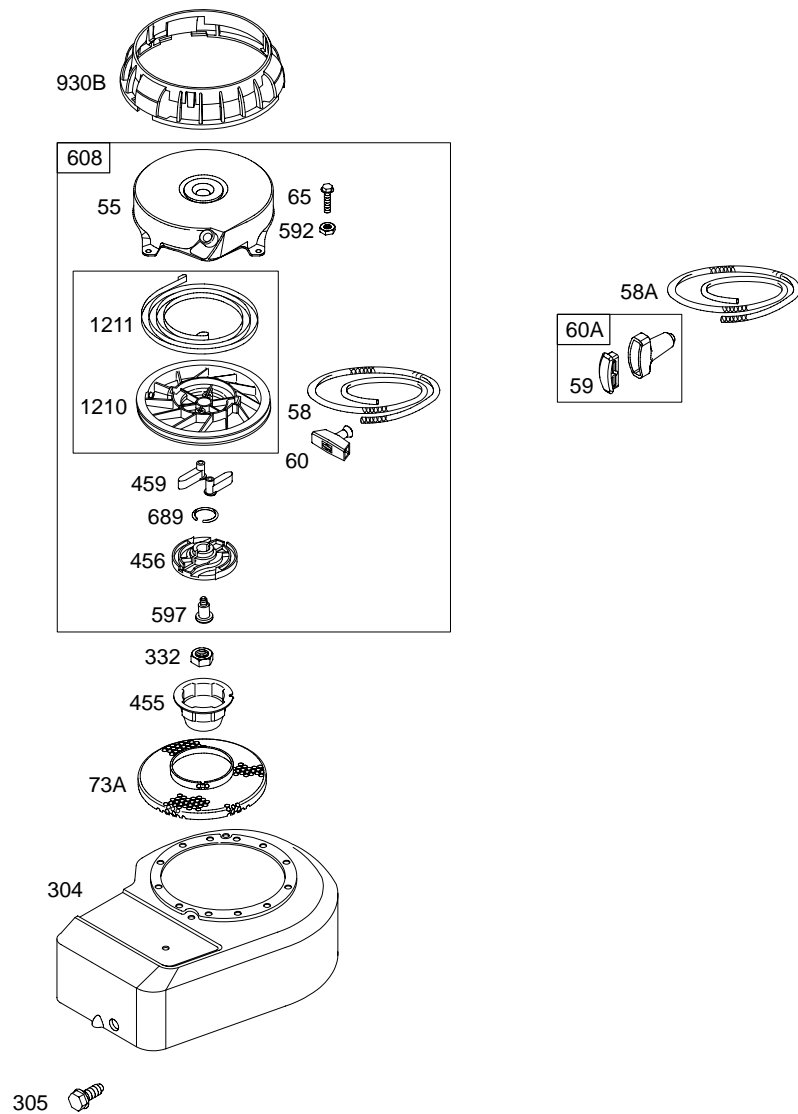








0651-7 *Illustrations cover a range of engines. Parts shown without corresponding text may not be used on your specific engine.* Assemblies include all parts shown in frames. 05/19/2004



9B900

REF. NO.	PART NO.	DESCRIPTION	REF. NO.	PART NO.	DESCRIPTION	REF. NO.	PART NO.	DESCRIPTION
1	699653	Cylinder Assembly	9	★Δ695890	Gasket–Breather	25	699657	Piston Assembly (Standard) (Used After Code Date 03080300)
2	399269	Kit–Bushing/Seal (Magneto Side)	10	691666	Screw (Breather Assembly)			Note
3	★299819	Seal–Oil (Magneto Side)	11	691245	Tube–Breather			498668 Piston Assembly (Standard) (Used After Code Date 96020500 and Before Code Date 03080400).
4	698691	Sump–Engine (Used After Code Date 02111200)	12	★270895	Gasket–Crankcase (.005" Thick)			298904 Piston Assembly (Standard) (Used Before Code Date 96020600)
		Note			Note			498670 Piston Assembly (.020" Oversize) (Used After Code Date 96020500)
		395384 Sump–Engine (Used Before Code Date 02111300)			270896 Gasket–Crankcase (.009" Thick)			298906 Piston Assembly (.020" Oversize) (Used Before Code Date 96020600)
5	690386	Head–Cylinder (Used After Code Date 95021900)			692218 Gasket–Crankcase (.015" Thick) (Standard)			
7	★Δ698717	Gasket–Cylinder Head (Used After Code Date 04011800)	13	691640	Screw (Cylinder Head)			
		Note	15	691680	Plug–Oil Drain			
		692288 Gasket–Cylinder Head (Used After Code Date 95021900 and Before Code Date 04011900).	16A	692991	Crankshaft Used on Type No(s). 1651, 1652.			
		272536 Gasket–Cylinder Head (Used Before Code Date 95022000)	16B	690805	Crankshaft Used on Type No(s). 0050, 0051.			
8	699640	Breather Assembly (Used After Code Date 03080300)	20	★391483	Seal–Oil (PTO Side)			
		Note	22	691662	Screw (Crankcase Cover/Sump)			
		495785 Breather Assembly (Used Before Code Date 03080400)	23	690843	Flywheel			
			24	222698	Key–Flywheel			

★ Included in Engine Gasket Set–Ref. No.358.

● Included in Carburetor Overhaul Kit–Ref. No. 121.

◆ Included in Carburetor Gasket Set–Ref. No. 977.

Δ Included in Valve Gasket Set–Ref. No 1095.

Illustrations cover a range of engines. Parts shown without corresponding text may not be used on your specific engine.

0651–9

Assemblies include all parts shown in frames.

05/19/2004

9B900

REF. NO.	PART NO.	DESCRIPTION	REF. NO.	PART NO.	DESCRIPTION	REF. NO.	PART NO.	DESCRIPTION
26	699658	Ring Set (Standard) (Used After Code Date 03080300)	29	699654	Rod-Connecting (Standard) (Used After Code Date 03093000)	40	692194	Retainer-Valve
		Note			Note	43	698690	Slinger-Governor/Oil (Used After Code Date 02110400)
		498680 Ring Set (Standard) (Used After Code Date 96020500 and Before Code Date 03080400).			294367 Rod-Connecting (Standard) (Used After Code Date 03080300 and Before Code Date 03100100).			Note
		298982 Ring Set (Standard) (Used Before Code Date 96020600)			294201 Rod-Connecting (Standard) (Used Before Code Date 03080400)			691983 Slinger-Governor/Oil (Used Before Code Date 02110500)
		498682 Ring Set (.020" Oversize) (Used After Code Date 96020500)			296079 Rod-Connecting (.020" Undersize)	45	691762	Tappet-Valve
		298984 Ring Set (.020" Oversize) (Used Before Code Date 96020600)	32	691664	Screw (Connecting Rod)	46	691998	Camshaft
27	691588	Lock-Piston Pin	33	296676	Valve-Exhaust	50	699644	Manifold-Intake (Used After Code Date 03080300)
28	699659	Pin-Piston (Standard) (Used After Code Date 03080300)	34	296677	Valve-Intake			Note
		Note	35	690520	Spring-Valve (Intake)			693446 Manifold-Intake (Used Before Code Date 03080400)
		298909 Pin-Piston (Standard) (Used Before Code Date 03080400)	36	690520	Spring-Valve (Exhaust)	51	*270345	Gasket-Intake
			37	690482	Guard-Flywheel (Carburetor Side)	54	691111	Screw (Intake Manifold)
			37A	691209	Guard-Flywheel (Muffler Side)	55	692144	Housing-Rewind Starter
						58	697316	Rope-Starter (1/8" Diameter, 88-5/8" Long) (Cut To Required Length)
						58A	280406	Rope-Starter (1/8" Diameter, 82" Long) (Cut To Required Length)

★ Included in Engine Gasket Set-Ref. No.358.

● Included in Carburetor Overhaul Kit-Ref. No. 121.

◆ Included in Carburetor Gasket Set-Ref. No. 977.

△ Included in Valve Gasket Set-Ref. No 1095.

Illustrations cover a range of engines. Parts shown without corresponding text may not be used on your specific engine.

9B900

REF. NO.	PART NO.	DESCRIPTION	REF. NO.	PART NO.	DESCRIPTION	REF. NO.	PART NO.	DESCRIPTION
59	396892	Insert–Grip	90	498809	Carburetor (Used After Code Date 96051900)	211	691859	Spring–Governed Idle
60	691915	Grip–Starter Rope (1 Piece)			———— Note ————	222A	691445	Bracket–Control
60A	393152	Grip–Starter Rope (2 Piece)			494775 Carburetor (Used Before Code Date 96052000)	257	691660	Screw (Starter Clutch)
65	690837	Screw (Rewind Starter)	97	691931	Shaft–Throttle	265	692179	Clamp–Casing
66	399671	Clutch–Starter (Used Before Code Date 97060600)	130	691190	Valve–Throttle	267	691044	Screw (Casing Clamp)
67	394897	Housing–Clutch	163	★271139	Gasket–Air Cleaner	268	691072	Casing–Control Wire (Cut To Required Length)
68	691604	Ball–Clutch	170	691690	Stud (Crankcase Cover/Sump)	269	691589	Wire–Control (Cut To Required Length)
70	691945	Ratchet–Clutch	180	494406	Tank–Fuel (Metal)	270	691027	Nut (Control Wire Casing)
71	691359	Cover–Ratchet	181	493982	Cap–Fuel Tank (Metal)	271	691028	Lever–Control
73	691725	Screen–Rotating Used on Type No(s). 0050, 0051.	188	692198	Screw (Control Bracket)	287	691002	Screw (Dipstick Tube)
73A	699850	Screen–Rotating (Used After Code Date 03082400) Used on Type No(s). 1651, 1652.	190	691640	Screw (Fuel Tank)	298	691720	Locknut–Muffler/Elbow
		———— Note ————	190A	692198	Screw (Fuel Tank)	300	692307	Muffler (Super Lo Tone)
		694018 Screen– Rotating (Used Before Code Date 03082500) Used on Type No(s). 1651, 1652.	200	691912	Blade–Governor	300A	394569	Muffler (Round Lo Tone)
74	691627	Screw (Rotating Screen)	201	690347	Link–Air Vane	303	690291	Elbow–Exhaust
75	691736	Washer (Flywheel)	209	690252	Spring–Governor (Pink)	304	692536	Housing–Blower (Non Compliance Engines)
78	692198	Screw (Flywheel Guard)			———— Note ————	305	692198	Screw (Blower Housing)
81	691179	Lock–Muffler Screw			692698 Spring– Governor (Metallic Gold) Used on Type No(s). 1651.	332	690662	Nut (Flywheel)
					691862 Spring– Governor (Pink) Used on Type No(s). 0051.	333	496914	Armature–Magneto
					262942 Spring– Governor (Black) Used on Type No(s). 0050.	334	691061	Screw (Magneto Armature)
						335	691107	Screw (Magneto Armature With Air Vane)
						337	802592	Plug–Spark
						346	690661	Screw (Spark Arrestor)

★ Included in Engine Gasket Set–Ref. No.358.

● Included in Carburetor Overhaul Kit–Ref. No. 121.

◆ Included in Carburetor Gasket Set–Ref. No. 977.

△ Included in Valve Gasket Set–Ref. No 1095.

Illustrations cover a range of engines. Parts shown without corresponding text may not be used on your specific engine.
0651–11 Assemblies include all parts shown in frames. **05/19/2004**

9B900

REF. NO.	PART NO.	DESCRIPTION	REF. NO.	PART NO.	DESCRIPTION	REF. NO.	PART NO.	DESCRIPTION
356	692390	Wire-Stop	592	690800	Nut (Rewind Starter)	832	494896	Guard-Muffler (Super Lo Tone)
356A	398808	Wire-Stop	597	691696	Screw (Pawl Friction Plate)	832A	699670	Guard-Muffler (Round Lo Tone)
358	298989	Gasket Set-Engine	608	499706	Starter-Rewind (Used After Code Date 97092800)	836	690664	Screw (Muffler Guard)
363	19069	Puller-Flywheel			Note	842	★691870	Seal-O Ring (Dipstick Tube)
365	692200	Screw (Carburetor)			499925	847	691440	Dipstick/Tube Assembly
383	89838	Wrench-Spark Plug			499925	851	493880	Terminal-Spark Plug
390	691839	Spring-Choke Diaphragm			499925	869	699641	Seat-Valve (Intake) (Used After Code Date 03080300)
393	691837	Screen-Carburetor	612	496046	Tube-Pick Up			Note
394	495770	Diaphragm-Carburetor	613	691413	Screw (Muffler)			691701
426	691107	Screw (Governor Blade)	617	270344	Seal-O Ring (Intake Manifold)			691701
455	691236	Cup-Flywheel	621	692310	Switch-Stop			691701
456	692299	Plate-Pawl Friction	633	691321	Seal-Choke/Throttle Shaft			691701
459	281505	Pawl-Ratchet	635	66538	Boot-Spark Plug	870	699642	Seat-Valve (Exhaust) (Used After Code Date 03080300)
469	694420	Ring-Rotating Trim (Used Before Code Date 03082500)	643	691911	Retainer-Air Filter			Note
523	692040	Dipstick	668	692889	Spacer			691702
523A	691913	Dipstick	670	691633	Spacer-Fuel Tank (Used After Code Date 97071300)			691702
524	★692296	Seal-Dipstick Tube			Note			691702
525	691320	Tube-Dipstick			691631	871	699643	Bushing-Valve Guide (Exhaust) (Used After Code Date 03080300)
529	692189	Grommet	689	691855	Spring-Friction			Note
534	691417	Screw (Air Cleaner)	718	690959	Pin-Locating			231348
535	272235	Filter-Air Cleaner Foam	718A	499047	Pin-Locating			231348
535A	698369	Filter-Air Cleaner Foam	741	691805	Gear-Timing			231348
536	493492	Cleaner-Air (Metal) (Used Before Code Date 02101100)	745	691146	Screw (Brake)			231348
536A	698472	Cleaner-Air (Plastic) (Used After Code Date 02101000)						63709

★ Included in Engine Gasket Set-Ref. No.358.

● Included in Carburetor Overhaul Kit-Ref. No. 121.

◆ Included in Carburetor Gasket Set-Ref. No. 977.

△ Included in Valve Gasket Set-Ref. No 1095.

Illustrations cover a range of engines. Parts shown without corresponding text may not be used on your specific engine.

9B900

REF. NO.	PART NO.	DESCRIPTION	REF. NO.	PART NO.	DESCRIPTION	REF. NO.	PART NO.	DESCRIPTION
913	494409	Seat-Check Valve	1036	695108	Label-Emissions (Used After Code Date 99093000)	1058	275508	Operator's Manual
930B	691348	Guard-Rewind				1095	498526	Gasket Set-Valve
957	497929	Cap-Fuel Tank (Plastic)			———— Note ————	1210	499901	Pulley/Spring Assembly (Pulley)
976	694394	Primer-Carburetor			694409 Label- Emissions	1211	499901	Pulley/Spring Assembly (Spring)
994	398067	Arrestor-Spark			(Used After Code Date 98123100 and Before Code Date 99100100).	1330	270962	Repair Manual
1019	699934	Kit-Label (Used After Code Date 03080300)			499332 Label- Emissions (Used Before Code Date 99010100)			
		———— Note ————						
		496757 Kit-Label (Used Before Code Date 03080400)						

★ Included in Engine Gasket Set-Ref. No.358.

● Included in Carburetor Overhaul Kit-Ref. No. 121.

◆ Included in Carburetor Gasket Set-Ref. No. 977.

△ Included in Valve Gasket Set-Ref. No 1095.

Illustrations cover a range of engines. Parts shown without corresponding text may not be used on your specific engine.