

Illustrated Parts List

Model Series

9C900

TYPE NUMBERS
0304 through 2135.

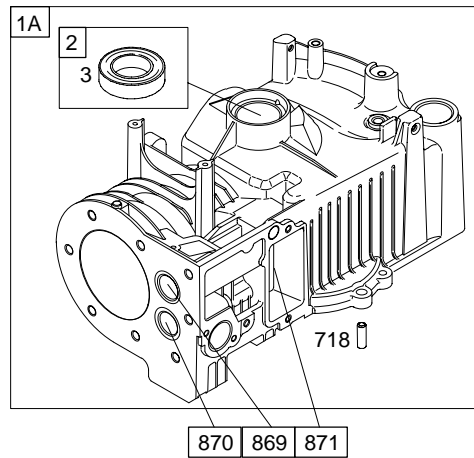
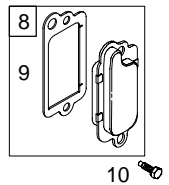
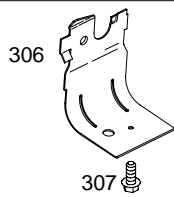
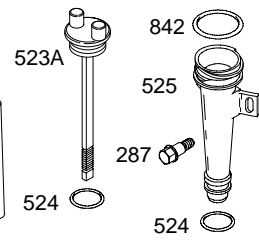
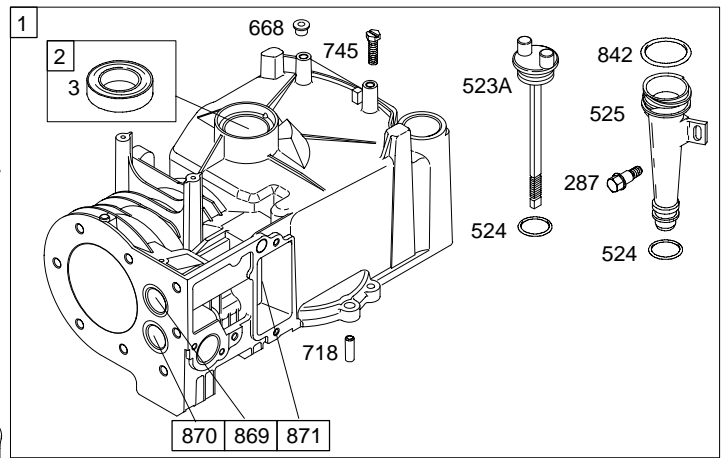
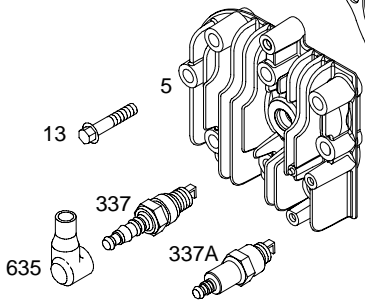
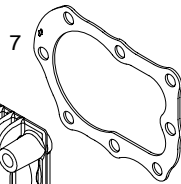
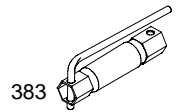
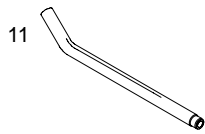
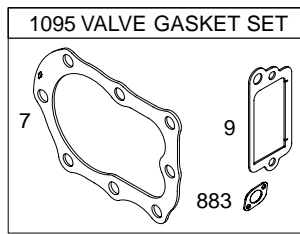
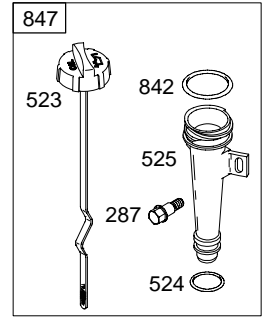
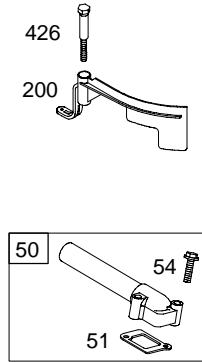
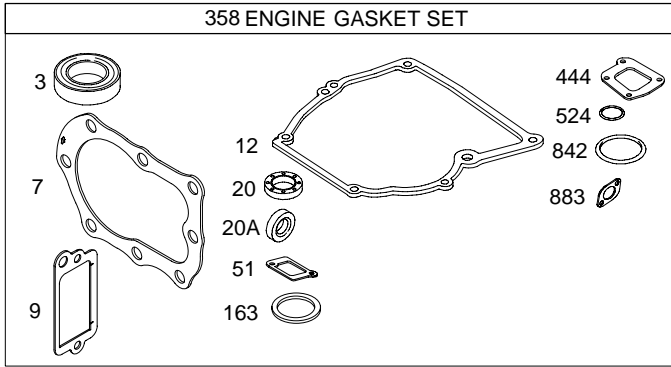
TABLE OF CONTENTS

Air Cleaner	6
Blower Housing	7
Brake	9
Cams	3
Carburetor	4
Controls	5
Covers	7
Crankcase Cover/Sump	3
Crankshaft	3
Cylinder	2
Flywheel	7
Fuel Tank	4
Governor Spring	5
Head	2
Ignition	5
Kits/Gaskets	2
Muffler	6
Oil	2
Piston Group	3
Rewind/Blower Housing 1	8
Rewind/Blower Housing 2	9
Valves	3



PRINTED IN U.S.A.

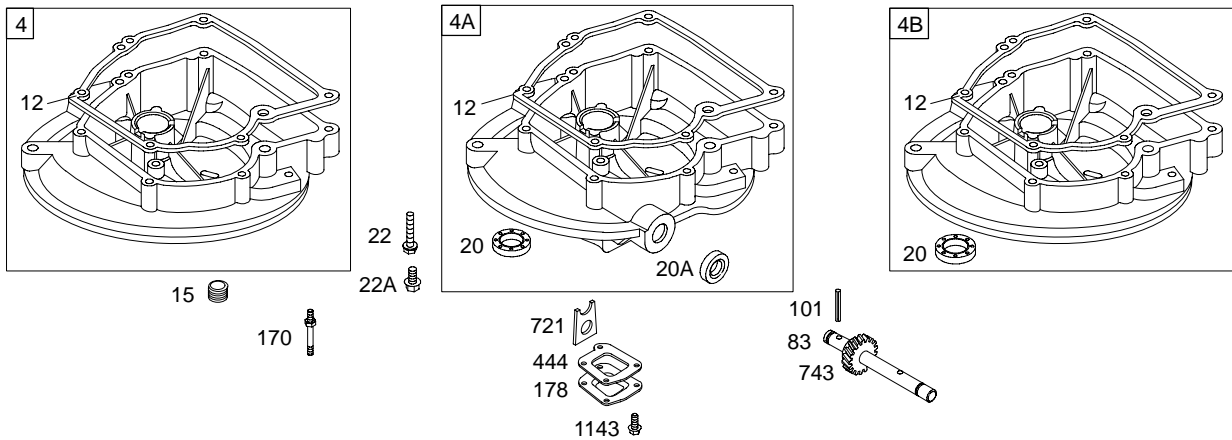
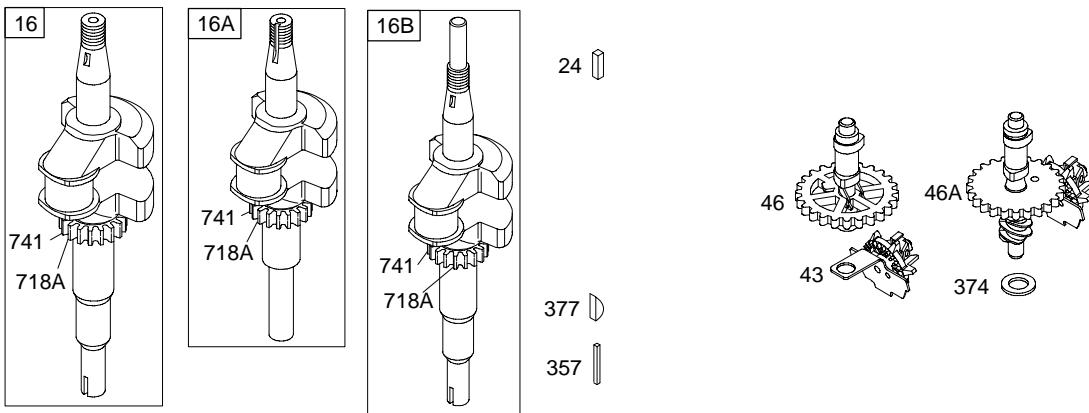
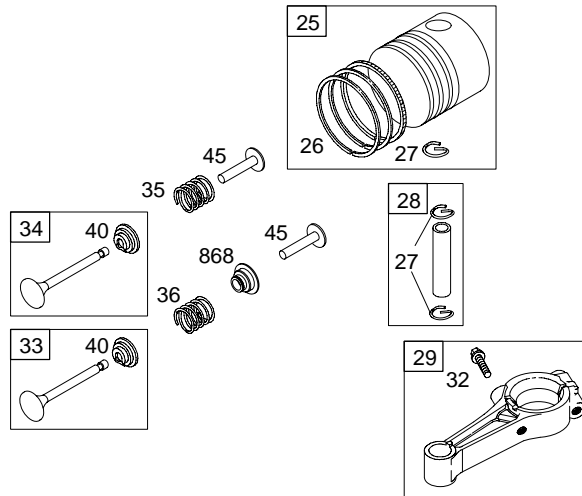
COPYRIGHT by BRIGGS & STRATTON CORPORATION
All rights reserved. No part of this material may be reproduced or transmitted, in any form or by any means, electronic or mechanical, including photocopying, recording or by any information storage and retrieval system, without permission in writing from Briggs & Stratton Corporation.

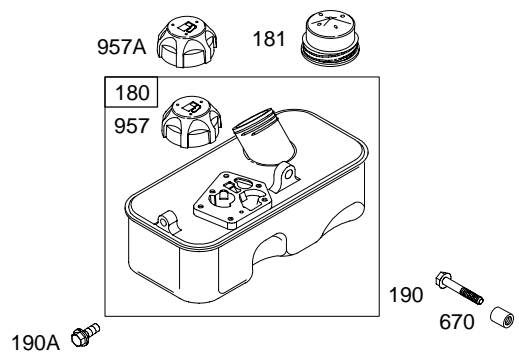
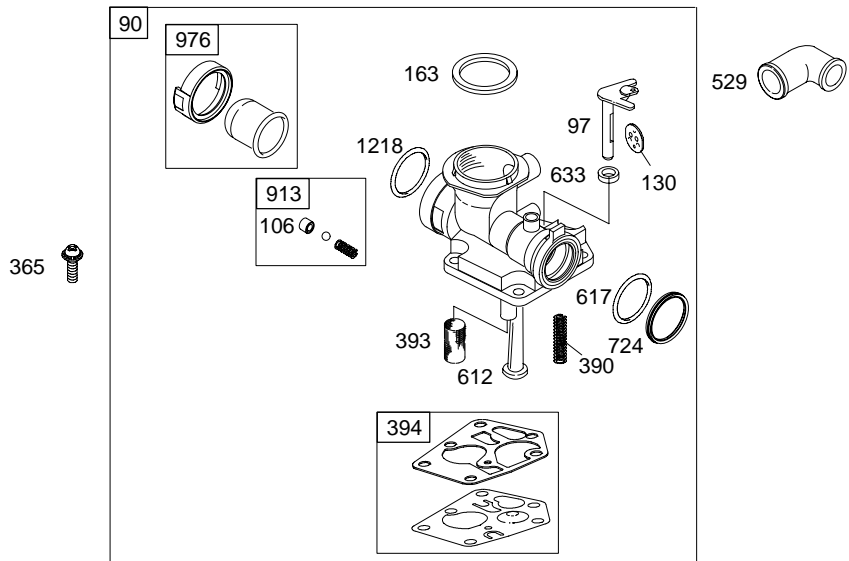


1019 LABEL KIT

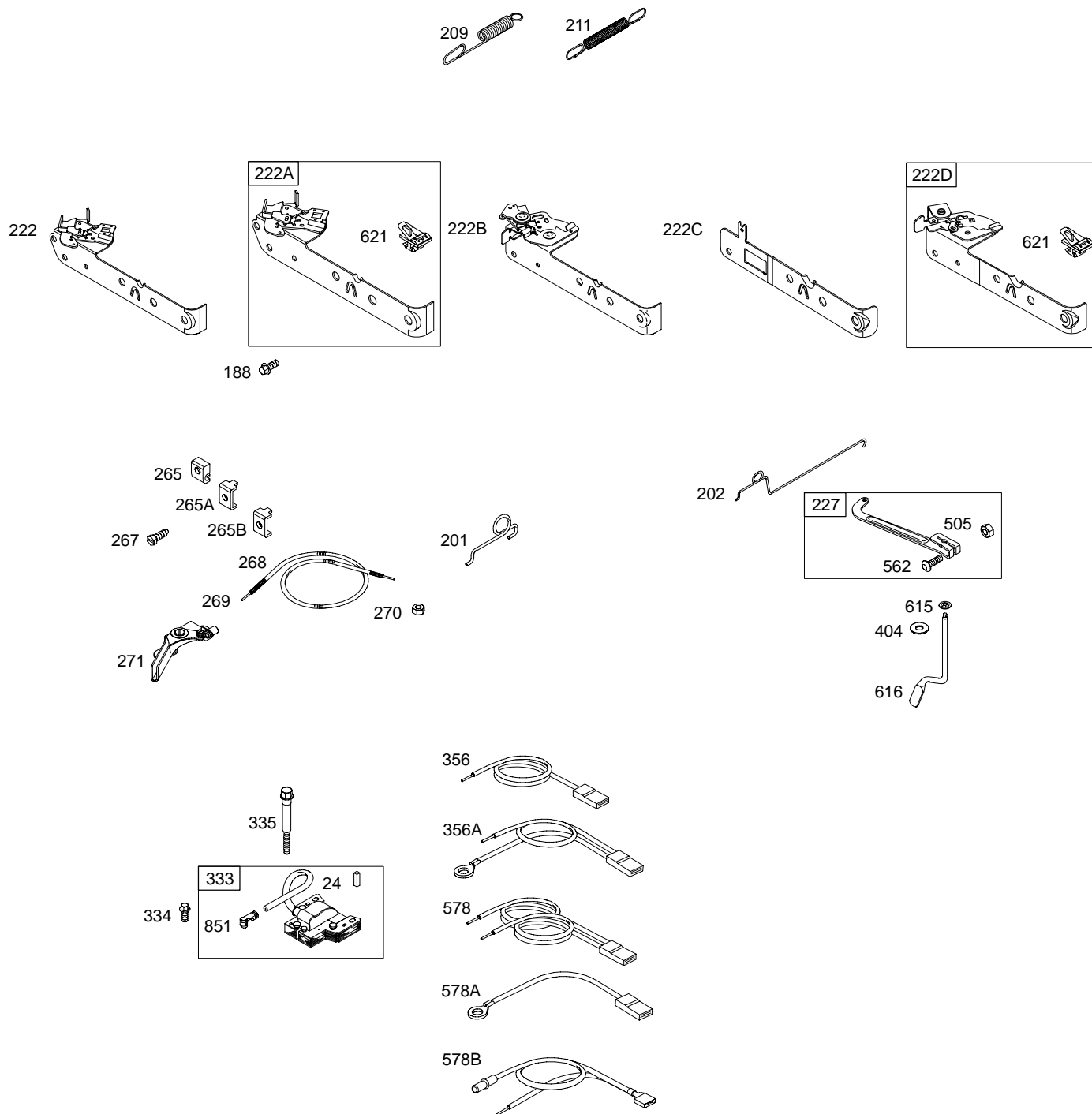
1058 OWNER'S MANUAL

1330 REPAIR MANUAL

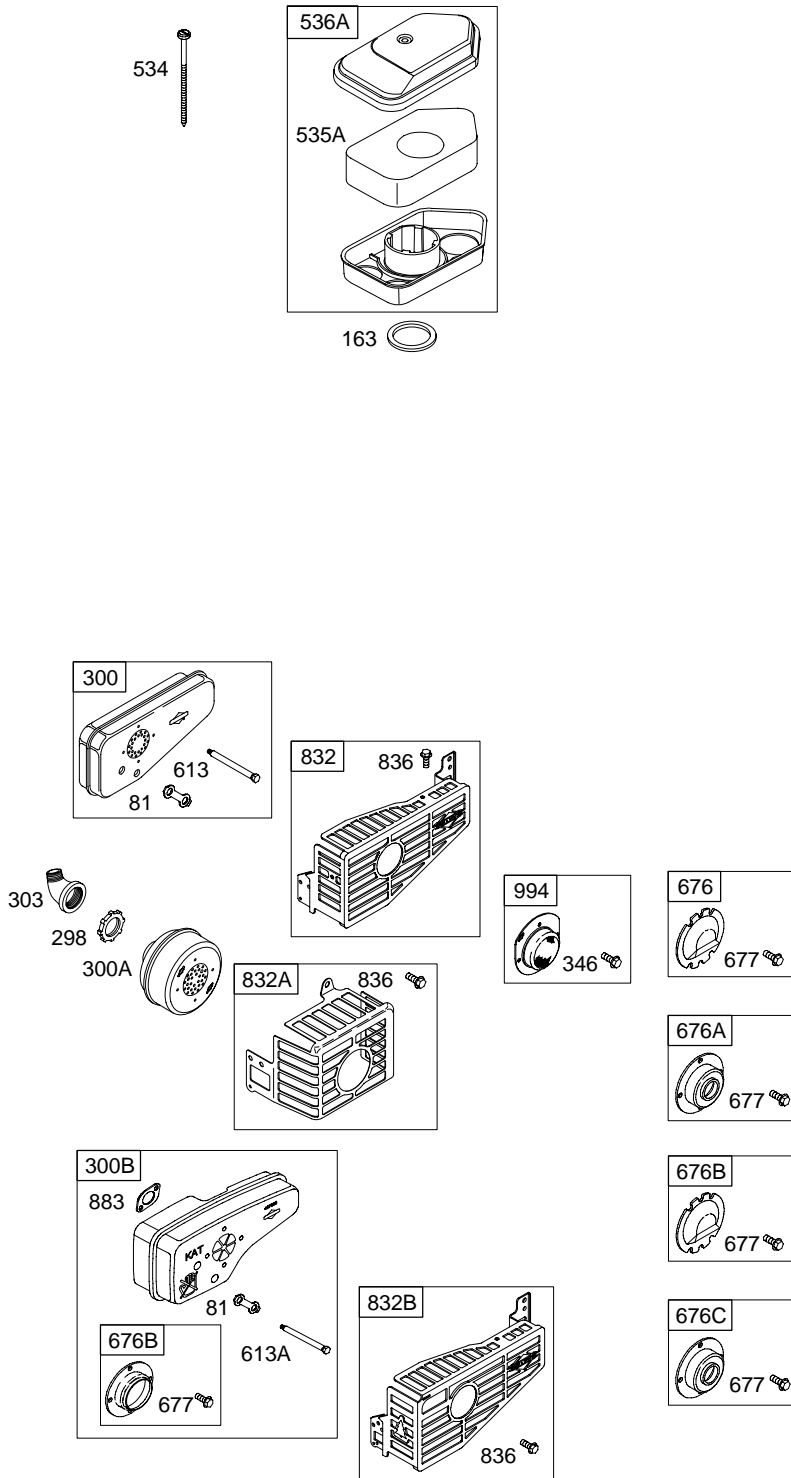




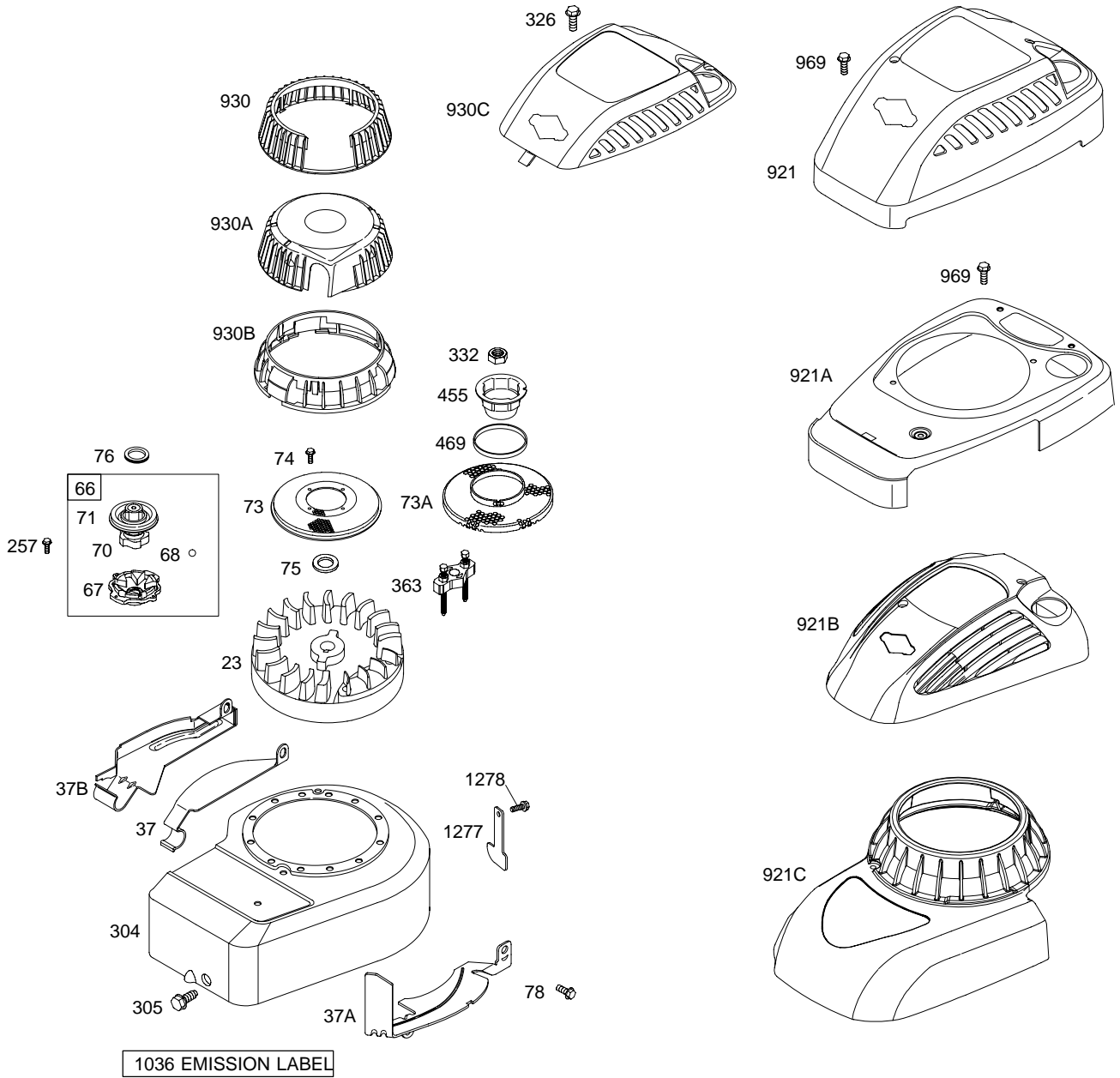
Illustrations cover a range of engines. Parts shown without corresponding text may not be used on your specific engine.
0979-4 Assemblies include all parts shown in frames. **10/10/2003**



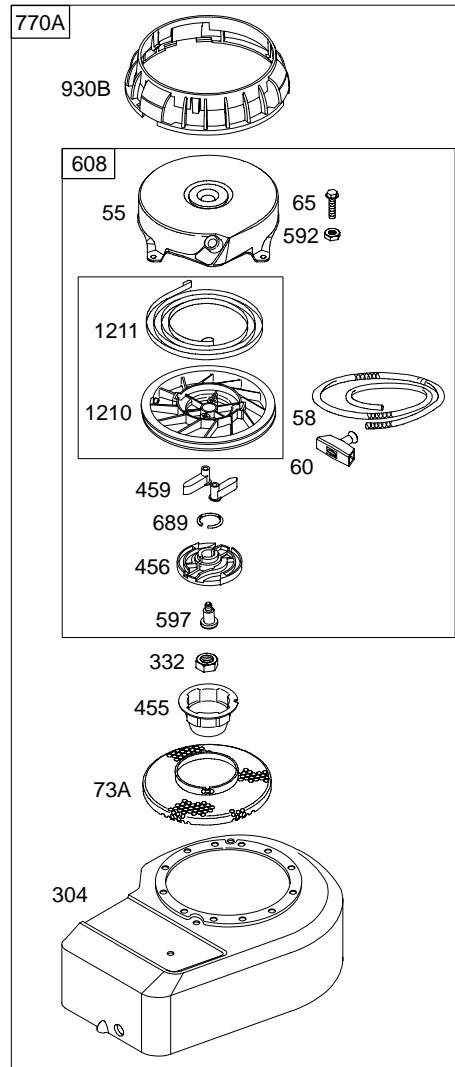
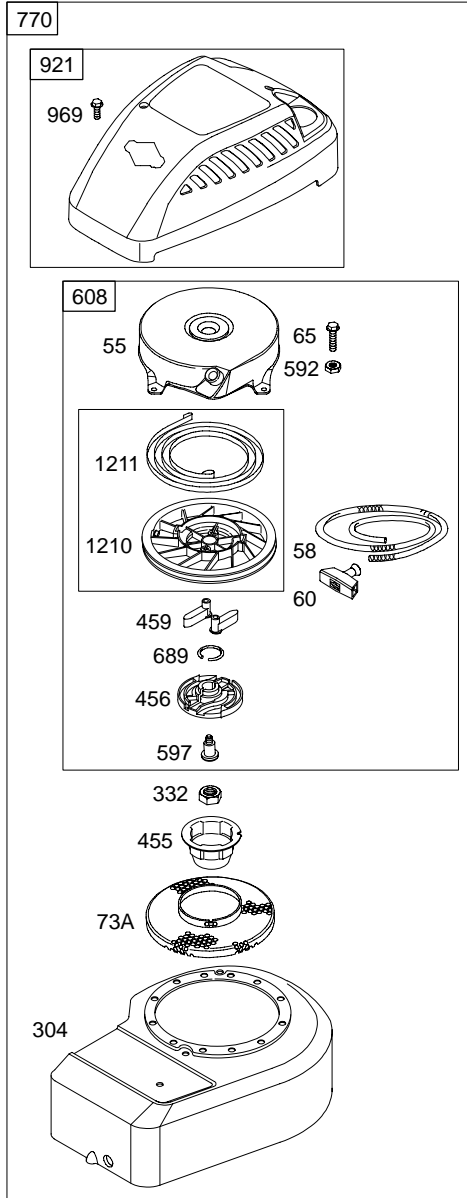
Illustrations cover a range of engines. Parts shown without corresponding text may not be used on your specific engine.
 0979-5 Assemblies include all parts shown in frames.




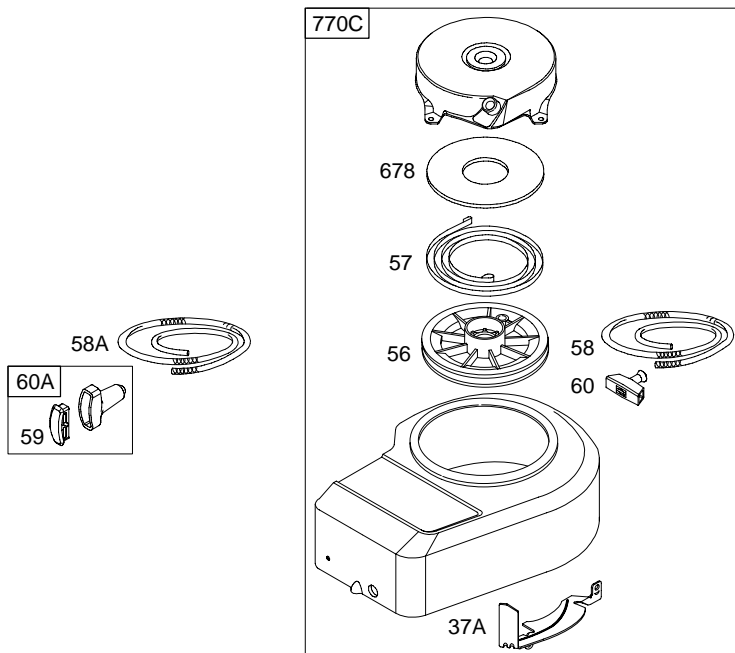
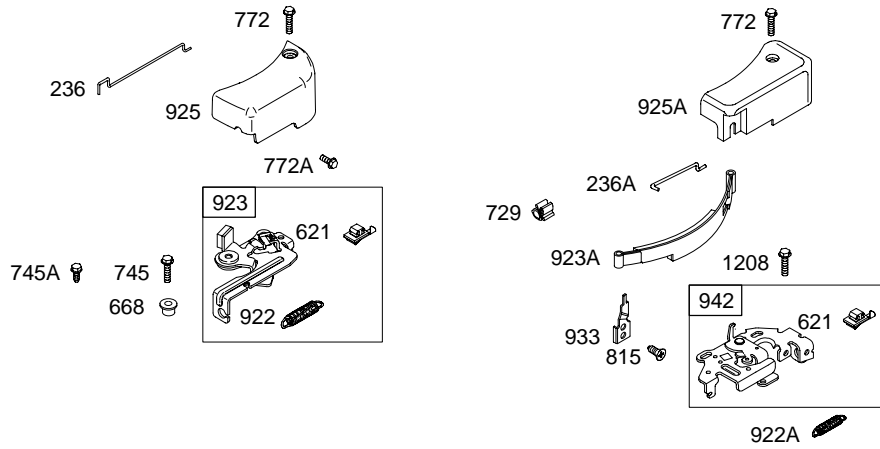
Illustrations cover a range of engines. Parts shown without corresponding text may not be used on your specific engine.
0979-6 Assemblies include all parts shown in frames. 10/10/2003



Illustrations cover a range of engines. Parts shown without corresponding text may not be used on your specific engine.
 0979-7 Assemblies include all parts shown in frames. 10/10/2003



305 



Illustrations cover a range of engines. Parts shown without corresponding text may not be used on your specific engine.
 0979-9 Assemblies include all parts shown in frames. 10/10/2003

9C900

REF. NO.	PART NO.	DESCRIPTION	REF. NO.	PART NO.	DESCRIPTION	REF. NO.	PART NO.	DESCRIPTION
1	699653	Cylinder Assembly (Used After Code Date 03080300) ———— Note ———— 399164 Cylinder Assembly (Used Before Code Date 03080400)	12	★692218	Gasket—Crankcase (.015" Thick) (Standard) ———— Note ———— 270895 Gasket—Crankcase (.005" Thick) 270896 Gasket—Crankcase (.009" Thick)	25	498668	Piston Assembly (Standard) (Used After Code Date 96020500) ———— Note ———— 298904 Piston Assembly (Standard) (Used Before Code Date 96020600)
2	399269	Kit—Bushing/Seal (Magneto Side)	13	691640	Screw (Cylinder Head)	498669	Piston Assembly (.010" Oversize) (Used After Code Date 96020500)	
3	★299819	Seal—Oil (Magneto Side)	15	691680	Plug—Oil Drain	298905	Piston Assembly (.010" Oversize) (Used Before Code Date 96020600)	
4	395384	Sump—Engine (Used Before Code Date 02111300) ———— Note ———— 698691 Sump—Engine (Used After Code Date 02111200)	16	492748	Crankshaft ———— Note ———— 492086 Crankshaft Used on Type No(s). 0304. 692990 Crankshaft Used on Type No(s). 2033, 2135.	498670	Piston Assembly (.020" Oversize) (Used After Code Date 96020500)	
4A	395390	Sump—Engine (Auxiliary PTO) Used on Type No(s). 0305.	20	★391483	Seal—Oil (PTO Side)	298906	Piston Assembly (.020" Oversize) (Used Before Code Date 96020600)	
5	690386	Head—Cylinder	20A	★691952	Seal—Oil (PTO Side) (Auxiliary Drive)	498671	Piston Assembly (.030" Oversize) (Used After Code Date 96020500)	
7	★Δ692288	Gasket—Cylinder Head (Used After Code Date 97073100) ———— Note ———— ★272536 Gasket—Cylinder Head (Used Before Code Date 97073100)	22	691662	Screw (Crankcase Cover/Sump)	298907	Piston Assembly (.030" Oversize) (Used Before Code Date 96020600)	
8	495785	Breather Assembly	22A	691681	Screw (Crankcase Cover/Sump) Used on Type No(s). 0305.			
9	★Δ695890	Gasket—Breather	23	692009	Flywheel			
10	691666	Screw (Breather Assembly)	24	222698	Key—Flywheel			
11	691245	Tube—Breather						

★ Included in Engine Gasket Set—Ref. No.358.

● Included in Carburetor Overhaul Kit—Ref. No. 121.

◆ Included in Carburetor Gasket Set—Ref. No. 977.

Δ Included in Valve Gasket Set—Ref. No 1095.

Illustrations cover a range of engines. Parts shown without corresponding text may not be used on your specific engine.

REF. NO.	PART NO.	DESCRIPTION	REF. NO.	PART NO.	DESCRIPTION	REF. NO.	PART NO.	DESCRIPTION
26	498680	Ring Set (Standard) (Used After Code Date 96020500) ———— Note ———— 298982 Ring Set (Standard) (Used Before Code Date 96020600) 498681 Ring Set (.010" Oversize) (Used After Code Date 96020500) 298983 Ring Set (.010" Oversize) (Used Before Code Date 96020600) 498682 Ring Set (.020" Oversize) (Used After Code Date 96020500) 298984 Ring Set (.020" Oversize) (Used Before Code Date 96020600) 498683 Ring Set (.030" Oversize) (Used After Code Date 96020500) 298985 Ring Set (.030" Oversize) (Used Before Code Date 96020600)	32	691664	Screw (Connecting Rod)	59	396892	Insert–Grip
			33	296676	Valve–Exhaust	60	691915	Grip–Starter Rope
			34	296677	Valve–Intake	60A	393152	Grip–Starter Rope
			35	690520	Spring–Valve (Intake)	65	690837	Screw (Rewind Starter)
			36	690520	Spring–Valve (Exhaust)	66	399671	Clutch–Starter (Used Before Code Date 97060600)
			37	690482	Guard–Flywheel (Carburetor Side)	67	394897	Housing–Clutch (Used Before Code Date 97060600)
			37A	691209	Guard–Flywheel (Muffler Side)	68	691604	Ball–Clutch (Used Before Code Date 97060600)
			40	692194	Retainer–Valve	70	691945	Ratchet–Clutch (Used Before Code Date 97060600)
			43	691983	Slinger–Governor/Oil	71	691359	Cover–Ratchet (Used Before Code Date 97060600)
			45	691762	Tappet–Valve	73	691725	Screen–Rotating (Used Before Code Date 97060600)
			46	691998	Camshaft	73A	699850	Screen–Rotating (Used After Code Date 03082400) ———— Note ———— 694018 Screen– Rotating (Used After Code Date 97060500 and Before Code Date 03082500).
			46A	690644	Camshaft (Counterclockwise) Used on Type No(s). 0305.	74	94058	Screw (Rotating Screen)
			50	699644	Manifold–Intake (Used After Code Date 03080300) ———— Note ———— 693446 Manifold– Intake (Used Before Code Date 03080400)	75	691736	Washer (Flywheel)
			51	★270345	Gasket–Intake			
			54	93485	Screw (Intake Manifold)			
			55	692144	Housing–Rewind Starter			
27	691588	Lock–Piston Pin	58	692259	Rope–Starter (1/8" Diameter, 88–5/8" Long) (Cut To Required Length)			
28	298909	Pin–Piston (Standard) ———— Note ———— 298908 Pin–Piston (.005" Oversize)	58A	280406	Rope–Starter (1/8" Diameter, 82" Long) (Cut To Required Length)			
29	294201	Rod–Connecting (Standard) ———— Note ———— 296079 Rod– Connecting (.020" Undersize)						

★ Included in Engine Gasket Set–Ref. No.358.

● Included in Carburetor Overhaul Kit–Ref. No. 121.

◆ Included in Carburetor Gasket Set–Ref. No. 977.

△ Included in Valve Gasket Set–Ref. No 1095.

Illustrations cover a range of engines. Parts shown without corresponding text may not be used on your specific engine.

9C900

REF. NO.	PART NO.	DESCRIPTION	REF. NO.	PART NO.	DESCRIPTION	REF. NO.	PART NO.	DESCRIPTION
76	691359	Seal-Ratchet (Used Before Code Date 97060600)	211	691859	Spring-Governed Idle	356	692390	Wire-Stop (1 Wire, 17" Long)
78	692198	Screw (Flywheel Guard)	222	691446	Bracket-Control			(Snap Connect Insulated Female Blade Terminal, And Bare Wire End)
81	691179	Lock-Muffler Screw	236	691867	Link-Lockout (Used After Code Date 97071300)	358	298989	Gasket Set-Engine
83	691240	Shaft-Auxiliary Drive	236A	691826	Link-Lockout (Used Before Code Date 97071400)	363	19069	Puller-Flywheel
90	498809	Carburetor (Used After Code Date 96051900)	257	691660	Screw (Starter Clutch)	365	692200	Screw (Carburetor)
		Note	265	690798	Clamp-Casing	374	691074	Washer (Camshaft)
		494775 Carburetor (Used Before Code Date 96052000)	267	691044	Screw (Casing Clamp)	383	89838	Wrench-Spark Plug
97	691931	Shaft-Throttle	268	691072	Casing-Control Wire (Cut To Required Length)	390	691839	Spring-Choke Diaphragm
101	691623	Pin-Shaft (Drive Gear)	269	691589	Wire-Control (Cut To Required Length)	393	691837	Screen-Carburetor
106	691901	Seat-Inlet	270	691027	Nut (Control Wire Casing)	394	495770	Diaphragm-Carburetor
130	691190	Valve-Throttle	271	691028	Lever-Control	426	691107	Screw (Governor Blade)
163	★271139	Gasket-Air Cleaner	287	691002	Screw (Dipstick Tube)	444	★691868	Gasket-Drive Gear Cover
170	691690	Stud (Crankcase Cover/Sump)	300	692307	Muffler (Super Lo Tone)	455	691236	Cup-Flywheel (Used After Code Date 97060500)
178	690398	Cover-Drive Gear	304	691484	Housing-Blower (Compliance Engines) (Used Before Code Date 99010400)	456	692299	Plate-Pawl Friction
180	494406	Tank-Fuel (Metal)	304	694236	Housing-Blower (Used After Code Date 99010300)	459	281505	Pawl-Ratchet
181	493982	Cap-Fuel Tank (Metal)	305	692198	Screw (Blower Housing)	469	694420	Ring-Rotating Trim (Used Before Code Date 03082500)
188	692198	Screw (Control Bracket)	326	692779	Screw (Rewind Guard)	523	692040	Dipstick
190	691640	Screw (Fuel Tank)	332	690662	Nut (Flywheel)	523A	691913	Dipstick
190A	692198	Screw (Fuel Tank)	333	496914	Armature-Magneto	524	★691876	Seal-Dipstick Tube
200	691912	Blade-Governor	334	691061	Screw (Magneto Armature)	525	691320	Tube-Dipstick
201	690347	Link-Air Vane	335	691107	Screw (Magneto Armature With Air Vane)	529	692189	Grommet
209	691861	Spring-Governor (Brown) (Used After Code Date 96051900)	337	802592	Plug-Spark	534	691417	Screw (Air Cleaner)
		Note	346	690661	Screw (Spark Arrestor)	535A	698369	Filter-Air Cleaner Foam
		692211 Spring-Governor (No Color) (Used Before Code Date 96052000)				536A	698472	Cleaner-Air (Plastic)
		690254 Spring-Governor (Light Blue) Used on Type No(s). 0333, 2033, 2135.				592	690800	Nut (Rewind Starter)
						597	691696	Screw (Pawl Friction Plate)

★ Included in Engine Gasket Set-Ref. No.358.

● Included in Carburetor Overhaul Kit-Ref. No. 121.

◆ Included in Carburetor Gasket Set-Ref. No. 977.

△ Included in Valve Gasket Set-Ref. No 1095.

Illustrations cover a range of engines. Parts shown without corresponding text may not be used on your specific engine.

REF. NO.	PART NO.	DESCRIPTION	REF. NO.	PART NO.	DESCRIPTION	REF. NO.	PART NO.	DESCRIPTION
608	499706	Starter–Rewind (Used After Code Date 97060500)	815	690324	Screw (Bank Brake Pivot)	930B	691348	Guard–Rewind
612	496046	Tube–Pick Up	832	494896	Guard–Muffler (Super Lo Tone)	930C	691932	Guard–Rewind (Used Before Code Date 99010400)
613	691413	Screw (Muffler)	836	690664	Screw (Muffler Guard)	933	690428	Pivot–Band Brake
617	270344	Seal–O Ring (Intake Manifold)	842	★691870	Seal–O Ring (Dipstick Tube)	942	493248	Bracket–Brake (Used Before Code Date 97071400)
621	692310	Switch–Stop	847	691440	Dipstick/Tube Assembly	957	497929	Cap–Fuel Tank (Plastic)(Black)
633	691321	Seal–Choke/Throttle Shaft	851	493880	Terminal–Spark Plug	969	691698	Screw (Blower Housing Cover)
635	66538	Boot–Spark Plug	869	691701	Seat–Valve (Intake)	976	694394	Primer–Carburetor
668	692889	Spacer	870	691702	Seat–Valve (Exhaust)	994	398067	Arrestor–Spark
670	691633	Spacer–Fuel Tank (Used After Code Date 97071300)	871	231348	Bushing–Valve Guide (Exhaust)	1019	496757	Kit–Label
		————— Note —————			————— Note —————	1036	695108	Label–Emissions (Used After Code Date 99093000)
		691631 Spacer–Fuel Tank (Used Before Code Date 97071400)			63709 Bushing–Valve Guide (Intake)			————— Note —————
689	691855	Spring–Friction	913	494409	Seat–Check Valve			694409 Label– Emissions
718	690959	Pin–Locating	921	694044	Cover–Blower Housing (Used After Code Date 97120300)			(Used After Code Date 98123100 and Before Code Date 99100100).
718A	499047	Pin–Locating	921A	499247	Cover–Blower Housing (Used Before Code Date 97120400)			499332 Label– Emissions (Used Before Code Date 99010100)
721	690397	Stop–Shaft	922	692135	Spring–Brake (Used After Code Date 97071300)	1058	275508	Manual–Owner’s
724	697478	Retainer–Seal	922A	691809	Spring–Brake (Used Before Code Date 97071400)	1095	498526	Gasket Set–Valve
729	690586	Clip–Wire	923	691487	Brake (Used After Code Date 97071300)	1143	691666	Screw (Drive Gear Cover) (Coarse Thread)
741	691805	Gear–Timing	923A	394867	Brake (Band)	1208	691146	Screw (Brake Bracket)
743	691772	Gear–Drive (Counterclockwise) Used on Type No(s). 0305.	925	691349	Cover–Linkage (Used After Code Date 97071300)	1210	499901	Pulley/Spring Assembly (Pulley)
745	691146	Screw (Brake)	925A	691329	Cover–Linkage (Used Before Code Date 97071300)	1211	499901	Pulley/Spring Assembly (Spring)
745A	690859	Screw (Brake)				1218	695866	Seal–O Ring (Carburetor)
770	499915	Kit–Rewind/Blower Housing (For Use On Engines With Brake) (Used Before Code Date 97060600)				1330	270962	Repair Manual
770A	499925	Kit–Rewind/Blower Housing (For Use On Engines Without Brake) (Used Before Code Date 97060600)						
772	691111	Screw (Linkage Cover)						
772A	690345	Screw (Linkage Cover)						

★ Included in Engine Gasket Set–Ref. No.358.

● Included in Carburetor Overhaul Kit–Ref. No. 121.

◆ Included in Carburetor Gasket Set–Ref. No. 977.

△ Included in Valve Gasket Set–Ref. No 1095.

Illustrations cover a range of engines. Parts shown without corresponding text may not be used on your specific engine.