

9D900

Illustrated Parts List

Model Series

9D900

TYPE NUMBERS
1607 through 2221.

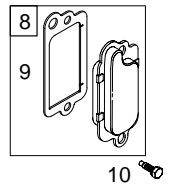
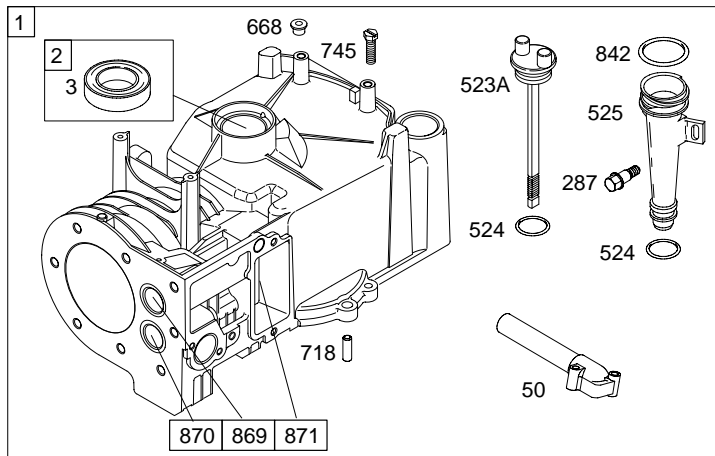
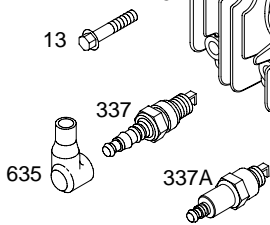
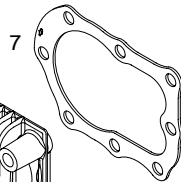
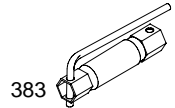
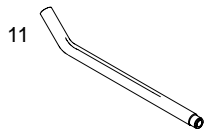
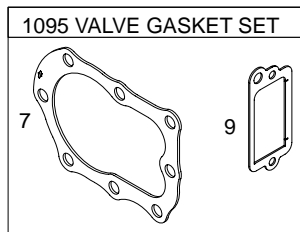
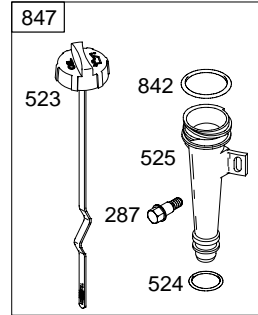
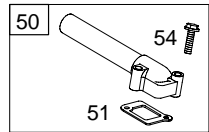
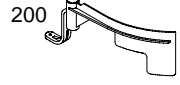
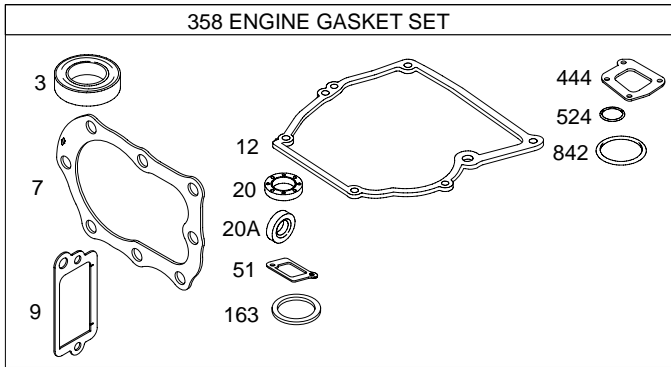
TABLE OF CONTENTS

Air Cleaner	6
Blower Housing	7
Brake	9
Cams	3
Carburetor	4
Controls	5
Covers	7
Crankcase Cover/Sump	3
Crankshaft	3
Cylinder	2
Flywheel	7
Fuel Tank	4
Governor Spring	5
Head	2
Ignition	5
Kits/Gaskets	2
Muffler	6
Oil	2
Piston Group	3
Rewind/Blower Housing 1	8
Valves	3



PRINTED IN U.S.A.

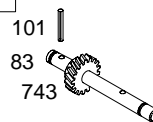
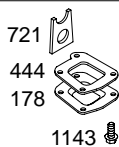
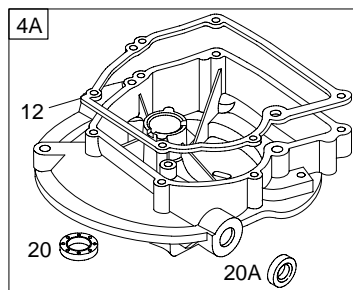
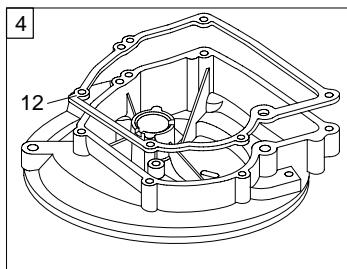
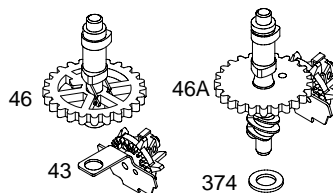
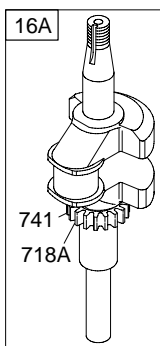
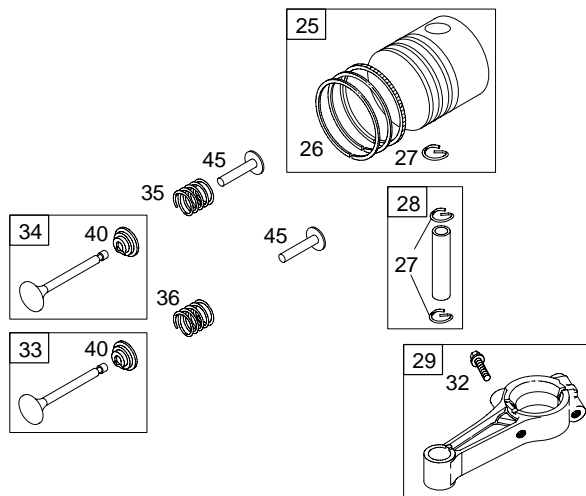
COPYRIGHT by BRIGGS & STRATTON CORPORATION
All rights reserved. No part of this material may be reproduced or transmitted, in any form or by any means, electronic or mechanical, including photocopying, recording or by any information storage and retrieval system, without permission in writing from Briggs & Stratton Corporation.



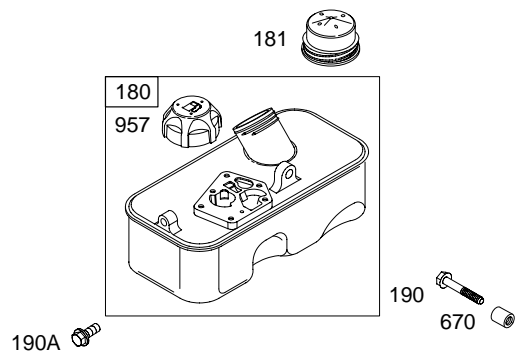
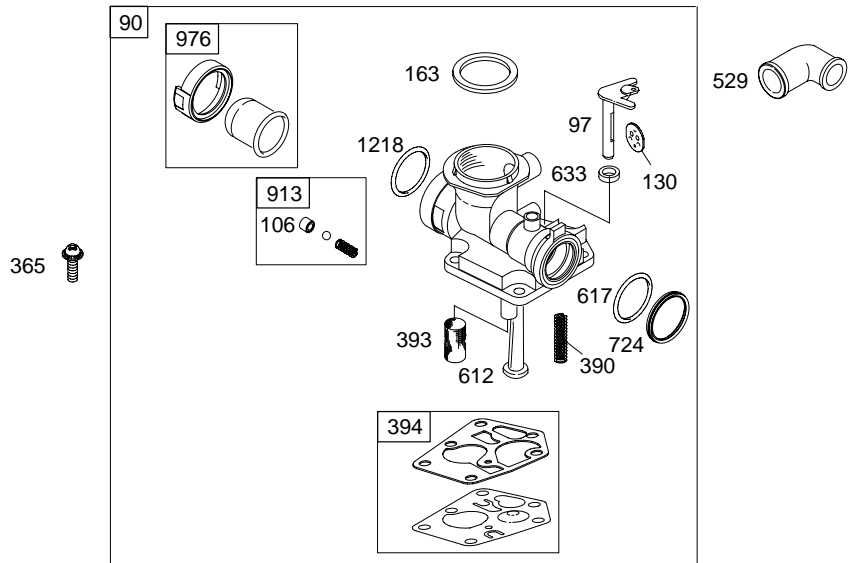
1019 LABEL KIT

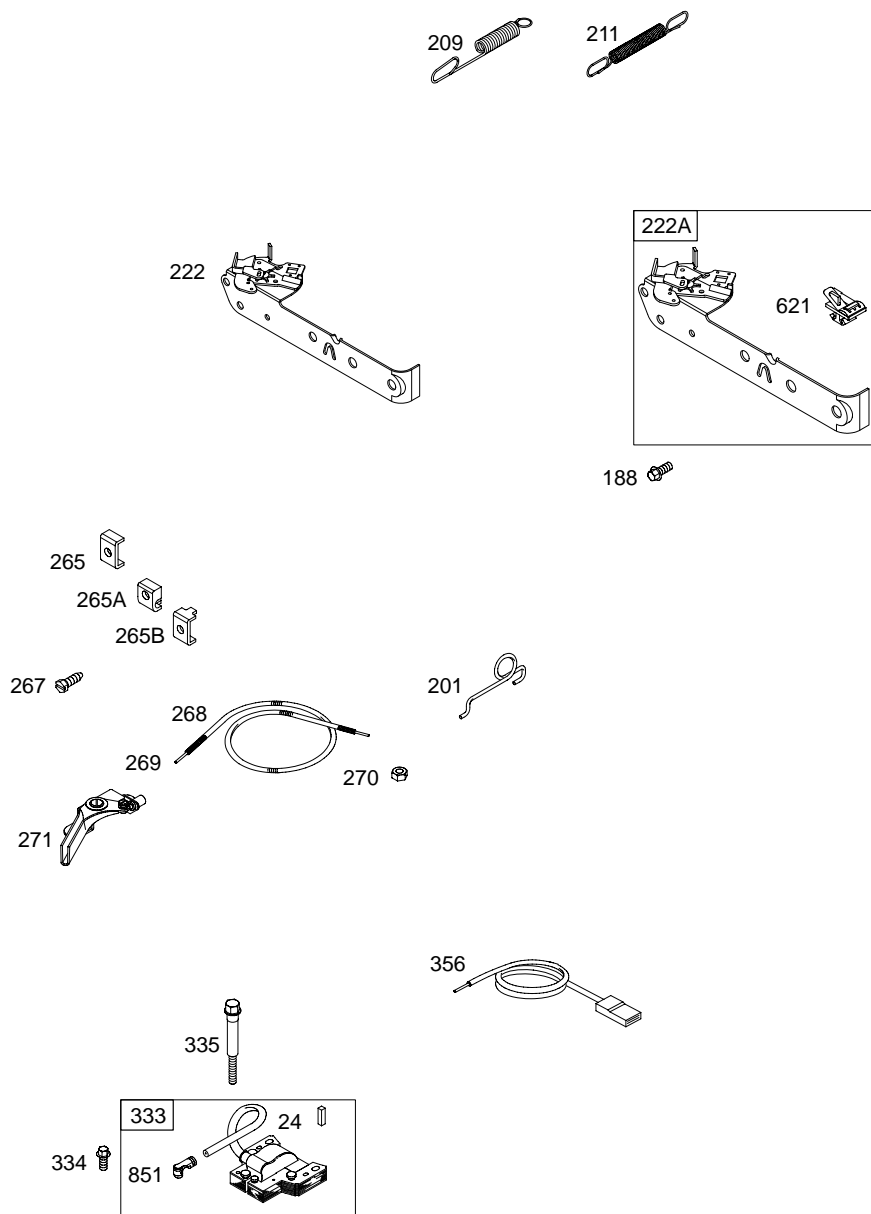
1058 OWNER'S MANUAL

1330 REPAIR MANUAL

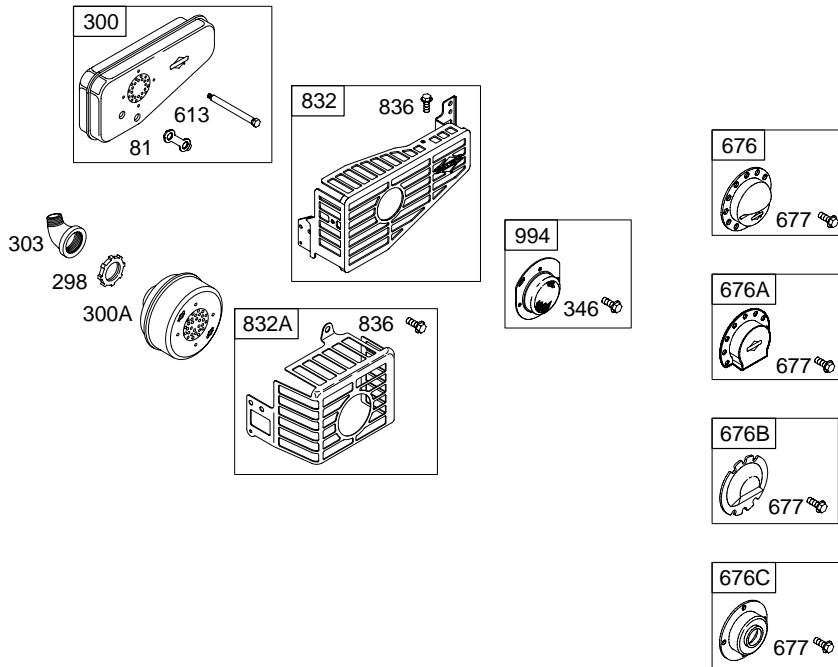
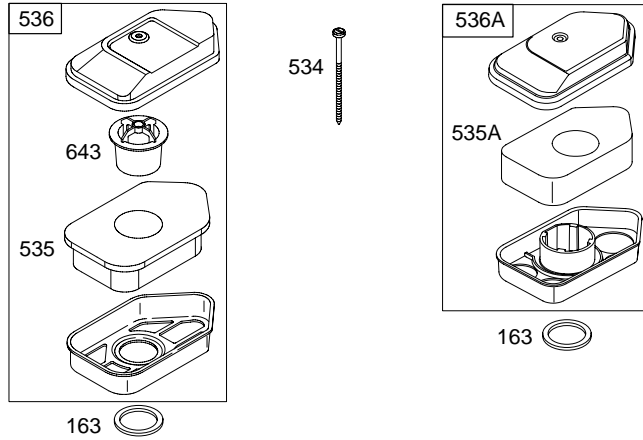


Illustrations cover a range of engines. Parts shown without corresponding text may not be used on your specific engine.
 4864-3 Assemblies include all parts shown in frames. 05/19/2004

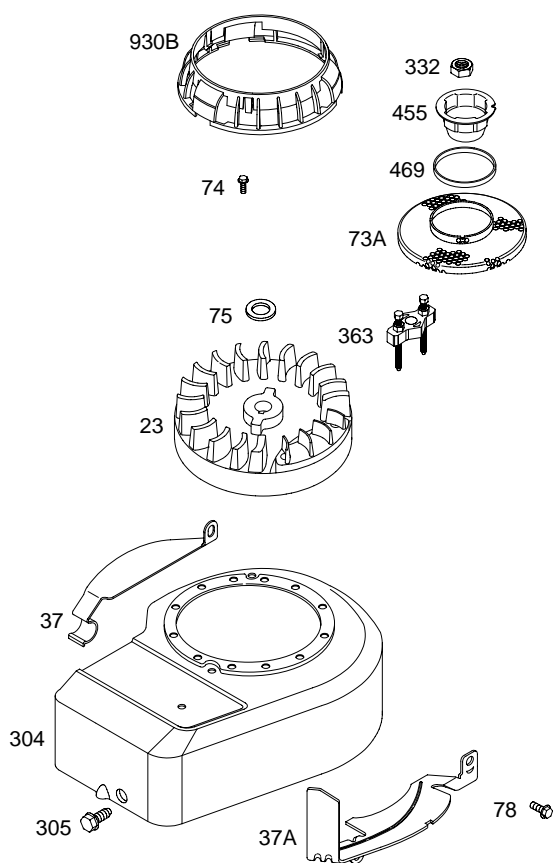




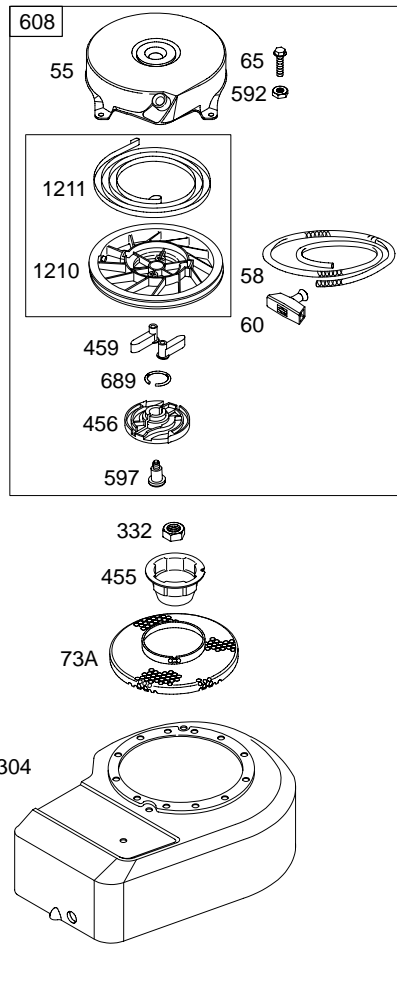
Illustrations cover a range of engines. Parts shown without corresponding text may not be used on your specific engine.
 4864-5 Assemblies include all parts shown in frames. 05/19/2004

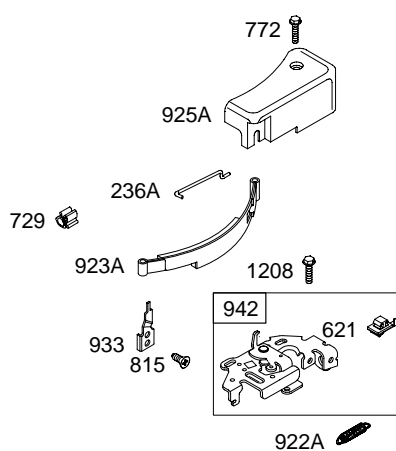
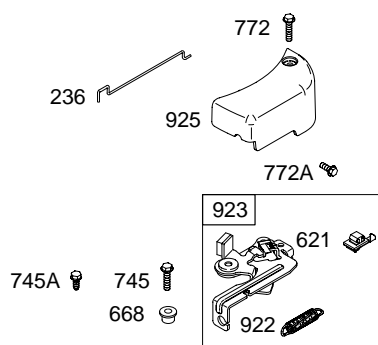


Illustrations cover a range of engines. Parts shown without corresponding text may not be used on your specific engine.
 4864-6 Assemblies include all parts shown in frames. 05/19/2004



1036 EMISSION LABEL





Illustrations cover a range of engines. Parts shown without corresponding text may not be used on your specific engine.
 4864-9 Assemblies include all parts shown in frames. 05/19/2004

9D900

REF. NO.	PART NO.	DESCRIPTION	REF. NO.	PART NO.	DESCRIPTION	REF. NO.	PART NO.	DESCRIPTION
1	699653	Cylinder Assembly	11	691245	Tube-Breather	23	692009	Flywheel
2	399269	Kit-Bushing/Seal (Magneto Side)	12	★692218	Gasket-Crankcase (.015" Thick) (Standard)			Note
3	★299819	Seal-Oil (Magneto Side)						690843 Flywheel Used on Type No(s). 2016, 2021, 2025, 2090, 2112, 2128, 2200, 2207, 2209, 2220.
4	698691	Sump-Engine (Used After Code Date 02111200).			270895 Gasket- Crankcase (.005" Thick)			
		Note			270896 Gasket- Crankcase (.009" Thick)	24	222698	Key-Flywheel
		395384 Sump-Engine (Used Before Code Date 02111300).	13	691640	Screw (Cylinder Head)	25	699657	Piston Assembly (Standard) (Used After Code Date 03080300).
4A	395390	Sump-Engine (Auxiliary Drive)	15	691680	Plug-Oil Drain			Note
5	690386	Head-Cylinder	16A	492086	Crankshaft			498668 Piston Assembly (Standard) (Used After Code Date 96020500 and Before Code Date 03080400).
7	★Δ698717	Gasket-Cylinder Head (Used After Code Date 04011800).			Note			298904 Piston Assembly (Standard) (Used Before Code Date 96020600).
		Note			692990 Crankshaft Used on Type No(s). 2001, 2007, 2010, 2011, 2027, 2029, 2031, 2038, 2039, 2050, 2060, 2089, 2112, 2137, 2200, 2201, 2202, 2210.			498670 Piston Assembly (.020" Oversize) (Used After Code Date 96020500).
		692288 Gasket- Cylinder Head (Used Before Code Date 04011900).			692991 Crankshaft Used on Type No(s). 1607, 2005, 2008, 2024, 2079, 2084, 2209, 2212, 2213, 2218.			298906 Piston Assembly (.020" Oversize) (Used Before Code Date 96020600).
8	699640	Breather Assembly (Used After Code Date 03080300).	20	★391483	Seal-Oil (PTO Side)			
		Note	20A	★691952	Seal-Oil (PTO Side) (Auxiliary Drive)			
		495785 Breather Assembly (Used Before Code Date 03080400).	22	691662	Screw (Crankcase Cover/Sump)			
9	★Δ695890	Gasket-Breather	22A	691108	Screw (Crankcase Cover/Sump)			
10	691666	Screw (Breather Assembly)						

★ Included in Engine Gasket Set-Ref. No.358.

● Included in Carburetor Overhaul Kit-Ref. No. 121.

◆ Included in Carburetor Gasket Set-Ref. No. 977.

Δ Included in Valve Gasket Set-Ref. No 1095.

Illustrations cover a range of engines. Parts shown without corresponding text may not be used on your specific engine.

9D900

REF. NO.	PART NO.	DESCRIPTION	REF. NO.	PART NO.	DESCRIPTION	REF. NO.	PART NO.	DESCRIPTION
26	699658	Ring Set (Standard) (Used After Code Date 03080300). ———— Note ———— 498680 Ring Set (Standard) (Used After Code Date 96020500 and Before Code Date 03080400). 298982 Ring Set (Standard) (Used Before Code Date 96020600). 498682 Ring Set (.020" Oversize) (Used After Code Date 96020500). 298984 Ring Set (.020" Oversize) (Used Before Code Date 96020600).	29	699654	Rod–Connecting (Standard) (Used After Code Date 03093000). ———— Note ———— 294367 Rod–Connecting (Standard) (Used After Code Date 03080300 and Before Code Date 03100100). 294201 Rod–Connecting (Standard) (Used Before Code Date 03080400). 296079 Rod–Connecting (.020" Undersize)	43	698690	Slinger–Governor/Oil (Used After Code Date 02110400). ———— Note ———— 691983 Slinger–Governor/Oil (Used Before Code Date 02110500).
27	691588	Lock–Piston Pin	32	691664	Screw (Connecting Rod)	45	691762	Tappet–Valve
28	699659	Pin–Piston (Standard) (Used After Code Date 03080300). ———— Note ———— 298909 Pin–Piston (Standard) (Used Before Code Date 03080400).	33	296676	Valve–Exhaust	46	691998	Camshaft
			34	296677	Valve–Intake	46A	690644	Camshaft (Counterclockwise) Used on Type No(s). 2010, 2016, 2202, 2221.
			35	690520	Spring–Valve (Intake)	50	699644	Manifold–Intake (Used After Code Date 03080300). ———— Note ———— 693446 Manifold–Intake (Used Before Code Date 03080400).
			36	690520	Spring–Valve (Exhaust)	51	★270345	Gasket–Intake
			37	690482	Guard–Flywheel (Carburetor Side)	54	93485	Screw (Intake Manifold)
			37A	691209	Guard–Flywheel (Muffler Side)	55	692144	Housing–Rewind Starter
			40	692194	Retainer–Valve	58	697316	Rope–Starter (1/8" Diameter, 88–5/8" Long) (Cut To Required Length)

★ Included in Engine Gasket Set–Ref. No.358.

● Included in Carburetor Overhaul Kit–Ref. No. 121.

◆ Included in Carburetor Gasket Set–Ref. No. 977.

△ Included in Valve Gasket Set–Ref. No 1095.

Illustrations cover a range of engines. Parts shown without corresponding text may not be used on your specific engine.

4864–11

Assemblies include all parts shown in frames.

05/19/2004

9D900

REF. NO.	PART NO.	DESCRIPTION	REF. NO.	PART NO.	DESCRIPTION	REF. NO.	PART NO.	DESCRIPTION
60	691915	Grip–Starter Rope (1 Piece)	180	494406	Tank–Fuel (Metal)	211	691859	Spring–Governed Idle
65	690837	Screw (Rewind Starter)	181	493982	Cap–Fuel Tank (Metal)	222	691446	Bracket–Control
73A	699850	Screen–Rotating (Used After Code Date 03082400). ———— Note ———— 694018 Screen– Rotating (Used Before Code Date 03082500).	188	692198	Screw (Control Bracket)	222A	691445	Bracket–Control Used on Type No(s). 2015, 2016, 2019, 2020, 2021, 2025, 2026, 2038, 2050, 2090, 2091, 2112, 2128, 2137, 2200, 2207, 2209, 2210, 2220.
74	94058	Screw (Rotating Screen)	190	691640	Screw (Fuel Tank)	236	691867	Link–Lockout (Used After Code Date 97071300).
75	691736	Washer (Flywheel)	190A	692198	Screw (Fuel Tank)	236A	691826	Link–Lockout (Used Before Code Date 97071400).
78	692198	Screw (Flywheel Guard)	200	691912	Blade–Governor	265	692179	Clamp–Casing
81	691179	Lock–Muffler Screw	201	690347	Link–Air Vane	265A	690798	Clamp–Casing Used on Type No(s). 2001, 2005, 2007, 2010, 2024, 2050, 2060, 2084, 2112, 2200, 2207, 2209, 2212, 2213.
83	691240	Shaft–Auxiliary Drive ———— Note ———— 690514 Shaft–Auxiliary Drive Used on Type No(s). 2202.	209	691297	Spring–Governor (White) ———— Note ———— 690251 Spring– Governor (Yellow) Used on Type No(s). 2002, 2006, 2010, 2019, 2021, 2022, 2024, 2025, 2028, 2029, 2031, 2039, 2084, 2112, 2113, 2128, 2137, 2200, 2201, 2202, 2212, 2213, 2218, 2219.	265B	691024	Clamp–Casing Used on Type No(s). 2021, 2090, 2091, 2201.
90	498809	Carburetor			690254 Spring– Governor (Light Blue)	267	691044	Screw (Casing Clamp)
97	691931	Shaft–Throttle			Used on Type No(s). 2016, 2025, 2112, 2207, 2220.	268	691072	Casing–Control Wire
101	691623	Pin–Shaft (Drive Gear)			690250 Spring– Governor (Light Green) Used on Type No(s). 2209, 2210.	269	691589	Wire–Control
106	691901	Seat–Inlet				270	691027	Nut (Control Wire Casing)
130	691190	Valve–Throttle				271	691028	Lever–Control
163	★271139	Gasket–Air Cleaner				287	691002	Screw (Dipstick Tube)
170	691690	Stud (Crankcase Cover/Sump)				298	691720	Locknut–Muffler/Elbow
178	690398	Cover–Drive Gear						

★ Included in Engine Gasket Set–Ref. No.358.

● Included in Carburetor Overhaul Kit–Ref. No. 121.

◆ Included in Carburetor Gasket Set–Ref. No. 977.

△ Included in Valve Gasket Set–Ref. No 1095.

Illustrations cover a range of engines. Parts shown without corresponding text may not be used on your specific engine.

REF. NO.	PART NO.	DESCRIPTION	REF. NO.	PART NO.	DESCRIPTION	REF. NO.	PART NO.	DESCRIPTION
300	692307	Muffler (Super Lo Tone)	374	691074	Washer (Camshaft)	597	691696	Screw (Pawl Friction Plate)
300A	394569	Muffler (Round Lo Tone)	383	89838	Wrench–Spark Plug	608	499706	Starter–Rewind
303	690291	Elbow–Exhaust	390	691839	Spring–Choke Diaphragm	612	496046	Tube–Pick Up
304	691484	Housing–Blower (Compliance Engines)	393	691837	Screen–Carburetor	613	691413	Screw (Muffler)
		———— Note ————	394	495770	Diaphragm–Carburetor	617	270344	Seal–O Ring (Intake Manifold)
		692536 Housing– Blower (Non Compliance Engines)	444	★691868	Gasket–Drive Gear Cover	621	692310	Switch–Stop
305	692198	Screw (Blower Housing)	455	691236	Cup–Flywheel	633	691321	Seal–Choke/Throttle Shaft
332	690662	Nut (Flywheel)	456	692299	Plate–Pawl Friction	635	66538	Boot–Spark Plug
333	496914	Armature–Magneto	459	281505	Pawl–Ratchet	643	691911	Retainer–Air Filter
334	691061	Screw (Magneto Armature)	469	694420	Ring–Rotating Trim (Used Before Code Date 03082500).	668	692889	Spacer
335	691107	Screw (Magneto Armature With Air Vane)	523	692040	Dipstick	670	691633	Spacer–Fuel Tank
337	802592	Plug–Spark	523A	691913	Dipstick	676	396548	Deflector–Muffler (Single Louver)
337A	697451	Plug–Spark	524	★692296	Seal–Dipstick Tube	676A	393760	Deflector–Muffler (Side Out)
346	690661	Screw (Spark Arrestor)	525	691320	Tube–Dipstick	676B	393756	Deflector–Muffler (Flared Side Out)
356	692390	Wire–Stop	529	692189	Grommet	676C	397931	Deflector–Muffler (Direct Out)
358	699933	Gasket Set–Engine (Used After Code Date 03080300).	534	691417	Screw (Air Cleaner)	677	690661	Screw (Muffler Deflector)
		———— Note ————	535	272235	Filter–Air Cleaner Foam	689	691855	Spring–Friction
		298989 Gasket Set–Engine (Used Before Code Date 03080400).	535A	698369	Filter–Air Cleaner Foam	718	690959	Pin–Locating
363	19069	Puller–Flywheel	536	493492	Cleaner–Air (Metal) (Used Before Code Date 02101100).	718A	499047	Pin–Locating
365	692200	Screw (Carburetor)	536A	698472	Cleaner–Air (Plastic) (Used After Code Date 02101000).	721	690397	Stop–Shaft
			592	690800	Nut (Rewind Starter)	724	697478	Retainer–Seal
						729	690586	Clip–Wire
						741	691805	Gear–Timing
						743	691772	Gear–Drive (Counterclockwise) Used on Type No(s). 2010, 2016, 2202, 2221.

★ Included in Engine Gasket Set–Ref. No.358.

● Included in Carburetor Overhaul Kit–Ref. No. 121.

◆ Included in Carburetor Gasket Set–Ref. No. 977.

△ Included in Valve Gasket Set–Ref. No 1095.

Illustrations cover a range of engines. Parts shown without corresponding text may not be used on your specific engine.
4864–13 Assemblies include all parts shown in frames. **05/19/2004**

9D900

REF. NO.	PART NO.	DESCRIPTION	REF. NO.	PART NO.	DESCRIPTION	REF. NO.	PART NO.	DESCRIPTION
745	691146	Screw (Brake)	871	699643	Bushing-Valve Guide (Exhaust Valve) (Used After Code Date 03080300).	1036	695108	Label-Emissions (Used After Code Date 99093000).
745A	690859	Screw (Brake)			Note			694409 Label-Emissions
772	691111	Screw (Linkage Cover)			231348 Bushing-Valve Guide (Exhaust Valve) (Used Before Code Date 03080400).			(Used After Code Date 98123100 and Before Code Date 99100100).
772A	690345	Screw (Linkage Cover)			63709 Bushing-Valve Guide (Intake Valve)			(Used Before Code Date 99010100).
815	690324	Screw (Bank Brake Pivot)	913	494409	Seat-Check Valve	1058	275508	Operator's Manual (Emission)
832	494896	Guard-Muffler (Super Lo Tone)	922	692135	Spring-Brake	1095	498526	Gasket Set-Valve
832A	699670	Guard-Muffler (Round Lo Tone)	922A	691809	Spring-Brake	1143	691141	Screw (Drive Gear Cover)(Fine Thread) (Used After Code Date 96110900).
836	690664	Screw (Muffler Guard)	923	691487	Brake			Note
842	691870	Seal-O Ring (Dipstick Tube)	923A	394867	Brake			691666 Screw (Drive Gear Cover) (Coarse Thread) (Used Before Code Date 96112000).
847	691440	Dipstick/Tube Assembly	925	691349	Cover-Linkage (Used After Code Date 97071300).	1208	691146	Screw (Brake Bracket)
851	493880	Terminal-Spark Plug	925A	691329	Cover-Linkage (Used Before Code Date 97071400).	1210	499901	Pulley/Spring Assembly (Pulley)
869	699641	Seat-Valve (Intake) (Used After Code Date 03080300).	930B	691348	Guard-Rewind	1211	499901	Pulley/Spring Assembly (Spring)
		Note	933	690428	Pivot-Band Brake	1218	695866	Seal-O Ring (Carburetor)
		691701 Seat-Valve (Intake) (Used Before Code Date 03080400).	942	493248	Bracket-Brake (Used Before Code Date 97071400).	1330	270962	Repair Manual
			957	497929	Cap-Fuel Tank (Plastic)(Black)			
870	699642	Seat-Valve (Exhaust) (Used After Code Date 03080300).	976	694394	Primer-Carburetor			
		Note	994	398067	Arrestor-Spark			
		691702 Seat-Valve (Exhaust) (Used Before Code Date 03080400).	1019	699934	Kit-Label (Used After Code Date 03080300).			
					Note			
					496757 Kit-Label (Used Before Code Date 03080400).			

★ Included in Engine Gasket Set-Ref. No.358.

● Included in Carburetor Overhaul Kit-Ref. No. 121.

◆ Included in Carburetor Gasket Set-Ref. No. 977.

△ Included in Valve Gasket Set-Ref. No 1095.

Illustrations cover a range of engines. Parts shown without corresponding text may not be used on your specific engine.