

**9E900**

# Illustrated Parts List

## Model Series

### 9E900

TYPE NUMBERS  
0100 through 0276.

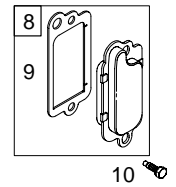
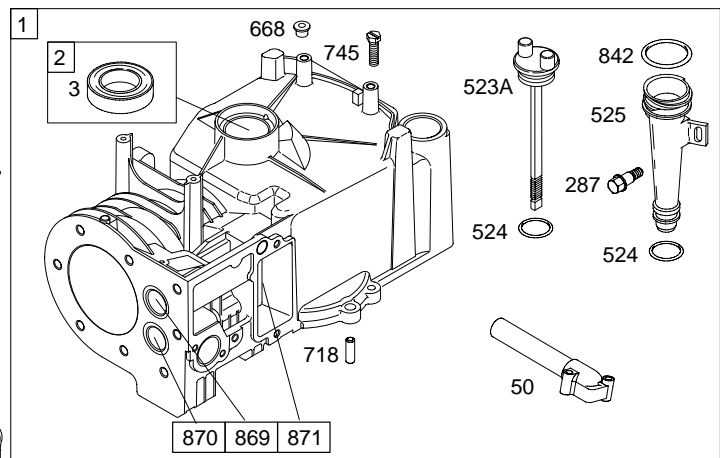
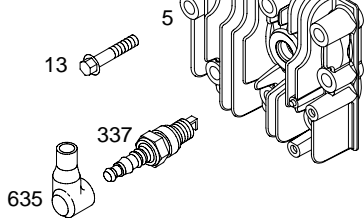
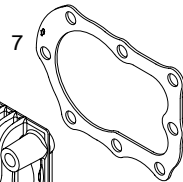
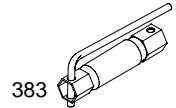
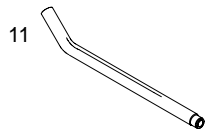
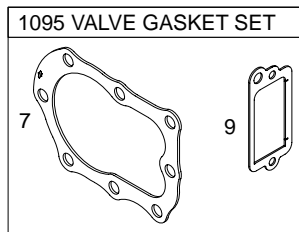
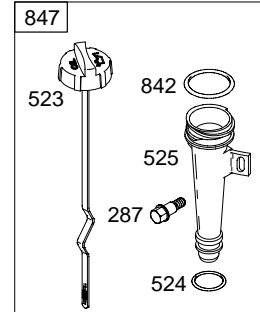
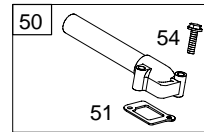
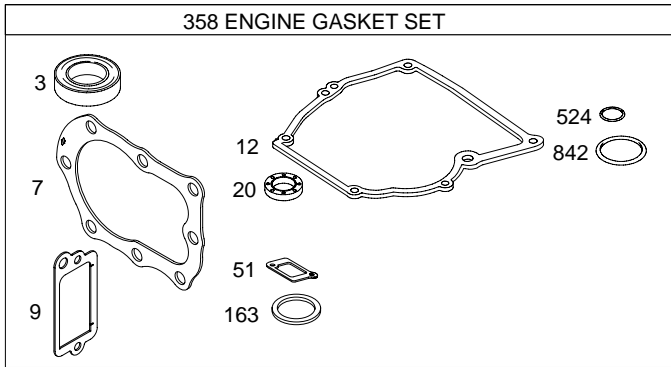
#### TABLE OF CONTENTS

Air Cleaner .....	6
Blower Housing .....	7
Brake .....	9
Cams .....	3
Carburetor .....	4
Controls .....	5
Covers .....	7
Crankcase Cover/Sump .....	3
Crankshaft .....	3
Cylinder .....	2
Flywheel .....	7
Fuel Tank .....	4
Governor Spring .....	5
Head .....	2
Ignition .....	5
Kits/Gaskets – Sets .....	2
Muffler Group .....	6
Oil Group .....	2
Piston Group .....	3
Rewind/Blower Housing 1 .....	8
Valves .....	3



PRINTED IN U.S.A.

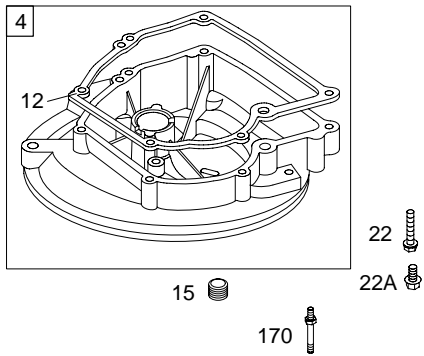
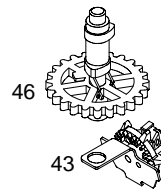
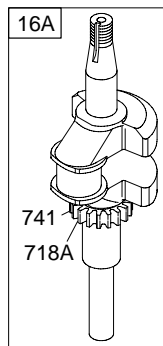
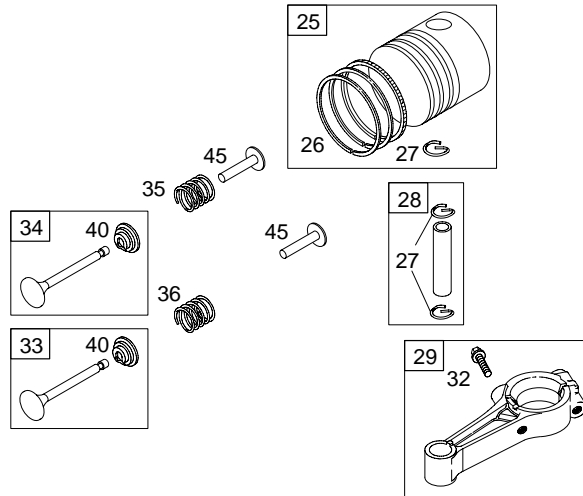
COPYRIGHT by BRIGGS & STRATTON CORPORATION  
All rights reserved. No part of this material may be reproduced or transmitted, in any form or by any means, electronic or mechanical, including photocopying, recording or by any information storage and retrieval system, without permission in writing from Briggs & Stratton Corporation.

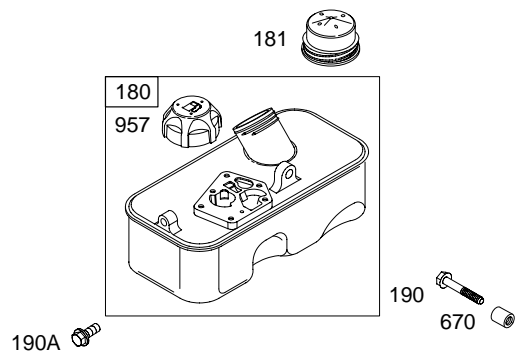
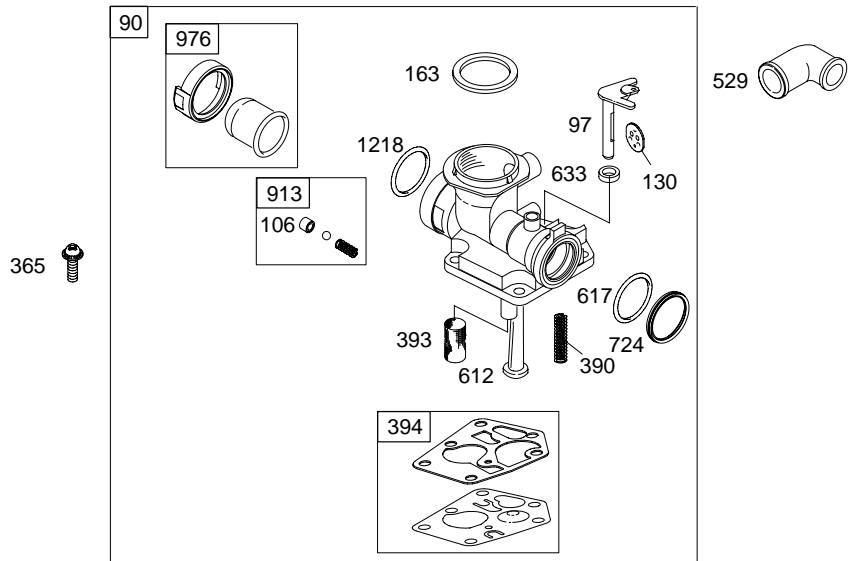


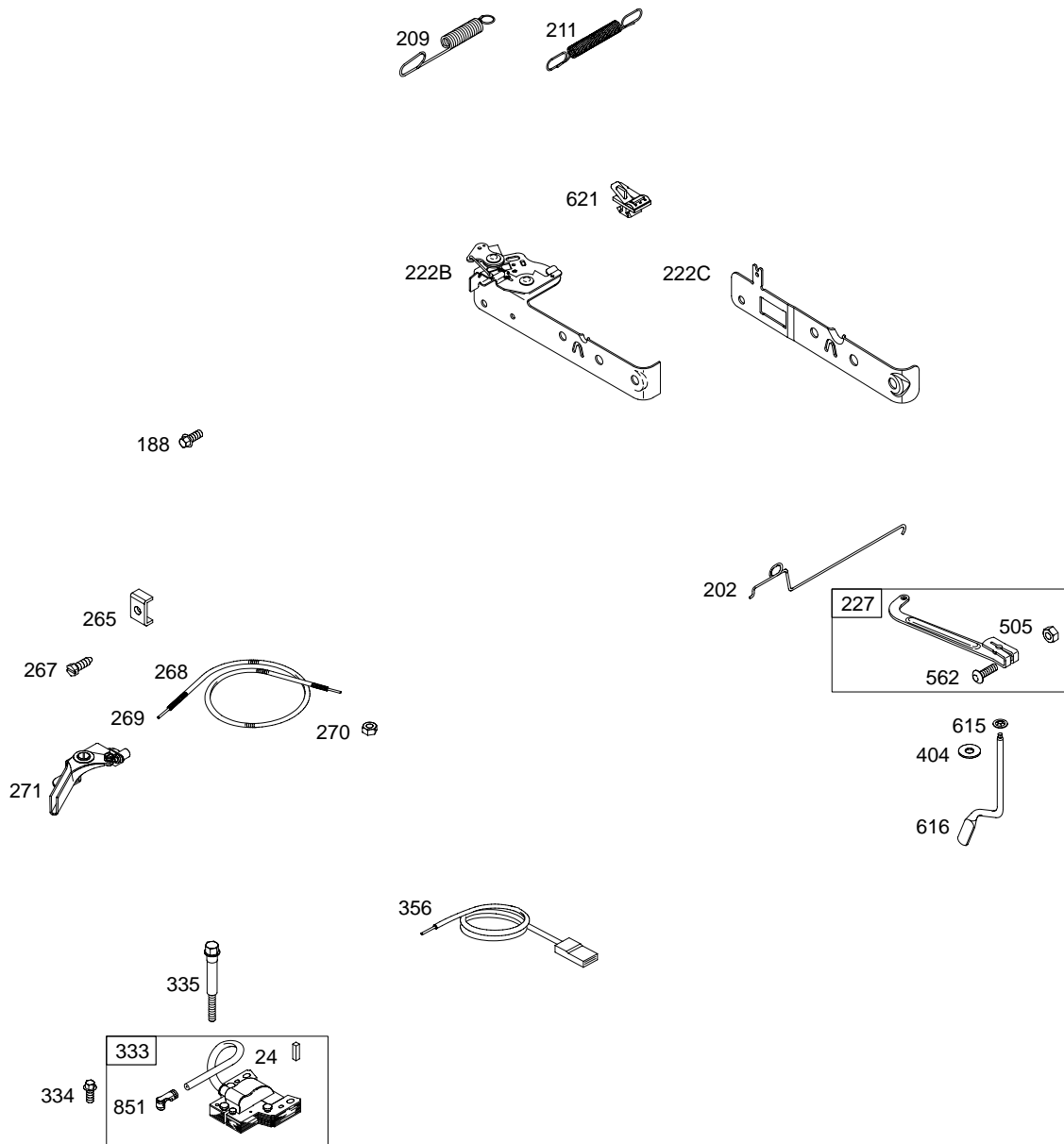
1019 LABEL KIT

1058 OWNER'S MANUAL

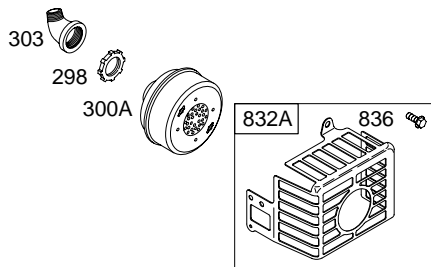
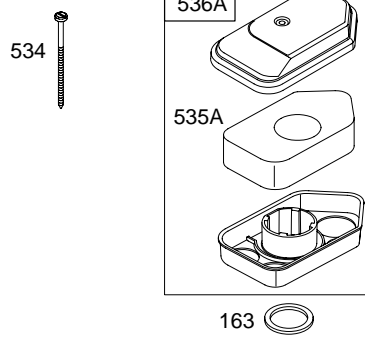
1330 REPAIR MANUAL

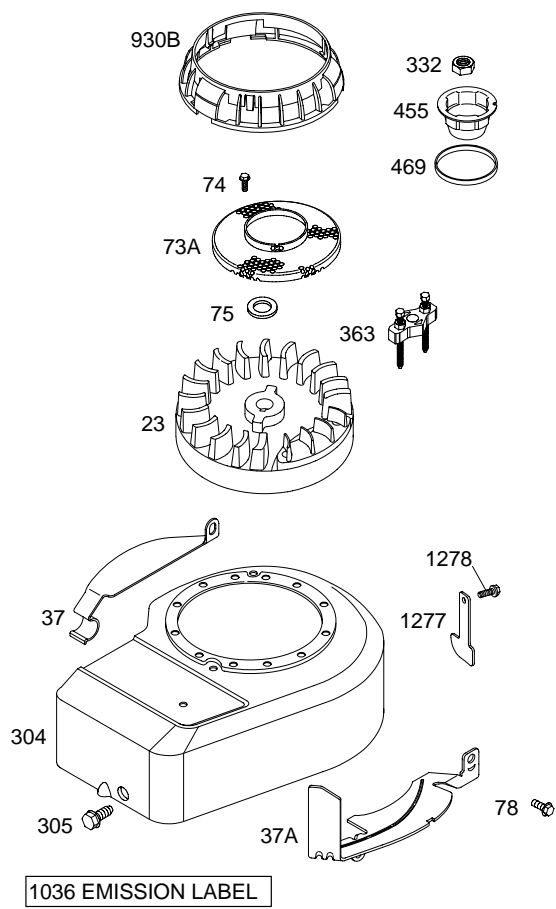




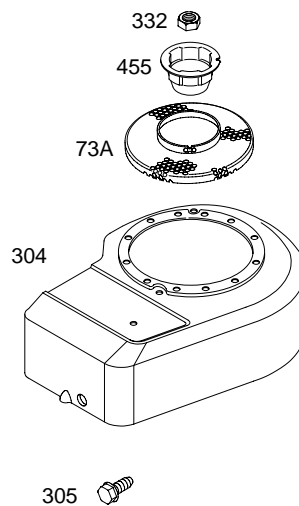
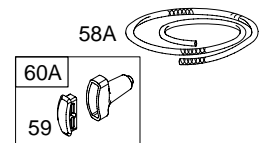
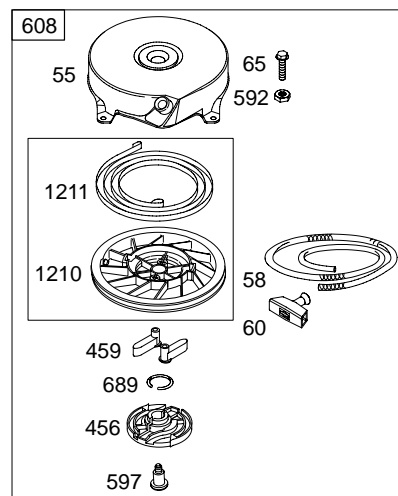


Illustrations cover a range of engines. Parts shown without corresponding text may not be used on your specific engine.  
 5353-5 Assemblies include all parts shown in frames. 05/18/2004

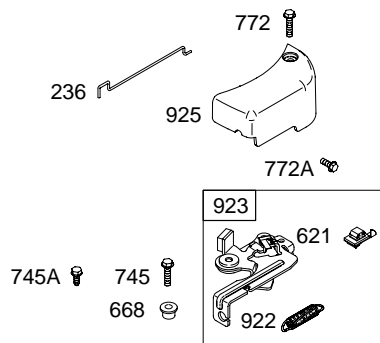




Illustrations cover a range of engines. Parts shown without corresponding text may not be used on your specific engine.  
 5353-7 Assemblies include all parts shown in frames. 05/18/2004







# 9E900

REF. NO.	PART NO.	DESCRIPTION	REF. NO.	PART NO.	DESCRIPTION	REF. NO.	PART NO.	DESCRIPTION
1	699650	Cylinder Assembly (Used After Code Date 03080300). ———— <b>Note</b> ———— <b>697401</b> Cylinder Assembly (Used Before Code Date 03080400).	12	★692218	Gasket—Crankcase (.015" Thick) (Standard) ———— <b>Note</b> ———— <b>270895</b> Gasket—Crankcase (.005" Thick) <b>270896</b> Gasket—Crankcase (.009" Thick)	25	699656	Piston Assembly (Standard) (Used After Code Date 03080300). ———— <b>Note</b> ———— <b>498668</b> Piston Assembly (Standard) (Used Before Code Date 03080400). <b>498670</b> Piston Assembly (.020" Oversize)
2	399269	Kit—Bushing/Seal (Magneto Side)	13	691640	Screw (Cylinder Head)	26	699658	Ring Set (Standard) (Used After Code Date 03080300). ———— <b>Note</b> ———— <b>498680</b> Ring Set (Standard) (Used Before Code Date 03080400). <b>498682</b> Ring Set (.020" Oversize)
3	★299819	Seal—Oil (Magneto Side)	15	691680	Plug—Oil Drain	27	691588	Lock—Piston Pin
4	698691	Sump—Engine	16A	692990	Crankshaft ———— <b>Note</b> ———— <b>492086</b> Crankshaft Used on Type No(s). 0214, 0276. <b>692991</b> Crankshaft Used on Type No(s). 0110.	28	699659	Pin—Piston (Standard) (Used After Code Date 03080300). ———— <b>Note</b> ———— <b>298909</b> Pin—Piston (Standard) (Used Before Code Date 03080400).
5	690386	Head—Cylinder	20	★391483	Seal—Oil (PTO Side)			
7	★Δ698717	Gasket—Cylinder Head (Used After Code Date 04011800). ———— <b>Note</b> ———— <b>692288</b> Gasket—Cylinder Head (Used Before Code Date 04011900).	22	691662	Screw (Crankcase Cover/Sump)			
8	699640	Breather Assembly (Used After Code Date 03080300). ———— <b>Note</b> ———— <b>495785</b> Breather Assembly (Used Before Code Date 03080400).	22A	691681	Screw (Crankcase Cover/Sump)			
9	★Δ695890	Gasket—Breather	23	692009	Flywheel			
10	691666	Screw (Breather Assembly)	24	222698	Key—Flywheel			
11	691245	Tube—Breather						

★ Included in Engine Gasket Set—Ref. No.358.

● Included in Carburetor Overhaul Kit—Ref. No. 121.

◆ Included in Carburetor Gasket Set—Ref. No. 977.

Δ Included in Valve Gasket Set—Ref. No 1095.

**Illustrations cover a range of engines. Parts shown without corresponding text may not be used on your specific engine.**

REF. NO.	PART NO.	DESCRIPTION	REF. NO.	PART NO.	DESCRIPTION	REF. NO.	PART NO.	DESCRIPTION
29	699654	Rod-Connecting (Standard) (Used After Code Date 03093000). <b>Note</b> 294367 Rod-Connecting (Standard) (Used After Code Date 03080300 and Before Code Date 03100100). 294201 Rod-Connecting (Standard) (Used Before Code Date 03080400). 296079 Rod-Connecting (.020" Undersize)	50	699644	Manifold-Intake (Used After Code Date 03080300). <b>Note</b> 693446 Manifold-Intake (Used Before Code Date 03080400).	74	691627	Screw (Rotating Screen)
32	691664	Screw (Connecting Rod)	51	★270345	Gasket-Intake	75	691736	Washer (Flywheel)
33	296676	Valve-Exhaust	54	691111	Screw (Intake Manifold)	78	692198	Screw (Flywheel Guard)
34	296677	Valve-Intake	55	692144	Housing-Rewind Starter	90	697800	Carburetor
35	690520	Spring-Valve (Intake)	58	697316	Rope-Starter (Cut To Required Length)	97	697414	Shaft-Throttle
36	690520	Spring-Valve (Exhaust)	58A	280406	Rope-Starter (1/8" Diameter, 82" Long) (Cut To Required Length)	106	691901	Seat-Inlet
37	697403	Guard-Flywheel (Carburetor Side)	59	396892	Insert-Grip	130	691190	Valve-Throttle
37A	691209	Guard-Flywheel (Muffler Side)	60	691915	Grip-Starter Rope (1 Piece)	163	★271139	Gasket-Air Cleaner
40	692194	Retainer-Valve	60A	393152	Grip-Starter Rope (2 Piece)	170	691690	Stud (Crankcase Cover/Sump)
43	697799	Slinger-Governor/Oil	65	690837	Screw (Rewind Starter)	180	494406	Tank-Fuel (Metal)
45	691762	Tappet-Valve	73A	699850	Screen-Rotating (Used After Code Date 03082400). <b>Note</b> 694018 Screen-Rotating (Used Before Code Date 03082500).	181	493982	Cap-Fuel Tank (Metal)
46	691998	Camshaft				188	692198	Screw (Control Bracket)
						190	691640	Screw (Fuel Tank)
						190A	692198	Screw (Fuel Tank)
						202	698835	Link-Mechanical Governor
						209	698719	Spring-Governor (Light Blue)
						211	691859	Spring-Governed Idle
						222B	697410	Bracket-Control (Fixed Speed)
						222C	698725	Bracket-Control (Fixed Speed) Used on Type No(s). 0214, 0276.
						227	697402	Lever-Governor Control

★ Included in Engine Gasket Set-Ref. No.358.

● Included in Carburetor Overhaul Kit-Ref. No. 121.

◆ Included in Carburetor Gasket Set-Ref. No. 977.

△ Included in Valve Gasket Set-Ref. No 1095.

**Illustrations cover a range of engines. Parts shown without corresponding text may not be used on your specific engine.**

# 9E900

REF. NO.	PART NO.	DESCRIPTION	REF. NO.	PART NO.	DESCRIPTION	REF. NO.	PART NO.	DESCRIPTION
236	691867	Link—Lockout	363	19069	Puller—Flywheel	608	499706	Starter—Rewind
265	692179	Clamp—Casing	365	692200	Screw (Carburetor)	612	496046	Tube—Pick Up
267	691044	Screw (Casing Clamp)	383	89838	Wrench—Spark Plug	615	690340	Retainer—Governor Shaft
268	691072	Casing—Control Wire	390	691839	Spring—Choke Diaphragm	616	697405	Crank—Governor
269	691589	Wire—Control	393	691837	Screen—Carburetor	617	270344	Seal—O Ring (Intake Manifold)
270	691027	Nut (Control Wire Casing)	394	495770	Diaphragm—Carburetor	621	692310	Switch—Stop
271	691028	Lever—Control	404	690272	Washer (Governor Crank)	633	691321	Seal—Choke/Throttle Shaft
287	691002	Screw (Dipstick Tube)	455	691236	Cup—Flywheel	635	66538	Boot—Spark Plug
298	691720	Locknut—Muffler/Elbow	456	692299	Plate—Pawl Friction	668	692889	Spacer
300A	394569	Muffler (Round Lo Tone)	459	281505	Pawl—Ratchet	670	691633	Spacer—Fuel Tank
303	690291	Elbow—Exhaust	469	694420	Ring—Rotating Trim (Used Before Code Date 03082500).	689	691855	Spring—Friction
304	698046	Housing—Blower (Compliance Engines)	505	691251	Nut (Governor Control Lever)	718	690959	Pin—Locating
305	692198	Screw (Blower Housing)	523	692040	Dipstick	718A	499047	Pin—Locating
332	690662	Nut (Flywheel)	523A	691913	Dipstick	724	697478	Retainer—Seal
333	496914	Armature—Magneto	524	★692296	Seal—Dipstick Tube	741	691805	Gear—Timing
334	691061	Screw (Magneto Armature)	525	691320	Tube—Dipstick	745	691146	Screw (Brake)
335	691107	Screw (Magneto Armature With Air Vane)	529	692189	Grommet	745A	690859	Screw (Brake)
337	802592	Plug—Spark	534	691417	Screw (Air Cleaner)	772	691111	Screw (Linkage Cover)
356	692390	Wire—Stop	535A	698369	Filter—Air Cleaner Foam	772A	691183	Screw (Linkage Cover)
358	699933	Gasket Set—Engine (Used After Code Date 03080300).	536A	698472	Cleaner—Air (Plastic)	832A	699670	Guard—Muffler (Round Lo Tone)
		<b>Note</b> _____	562	691119	Bolt (Governor Control Lever)	836	690664	Screw (Muffler Guard)
		298989 Gasket Set—Engine (Used Before Code Date 03080400).	592	690800	Nut (Rewind Starter)	842	★691870	Seal—O Ring (Dipstick Tube)
			597	691696	Screw (Pawl Friction Plate)	847	691440	Dipstick/Tube Assembly
						851	493880	Terminal—Spark Plug

★ Included in Engine Gasket Set—Ref. No.358.

● Included in Carburetor Overhaul Kit—Ref. No. 121.

◆ Included in Carburetor Gasket Set—Ref. No. 977.

△ Included in Valve Gasket Set—Ref. No 1095.

**Illustrations cover a range of engines. Parts shown without corresponding text may not be used on your specific engine.**

REF. NO.	PART NO.	DESCRIPTION	REF. NO.	PART NO.	DESCRIPTION	REF. NO.	PART NO.	DESCRIPTION				
869	699641	Seat-Valve (Intake) (Used After Code Date 03080300).	913	494409	Seat-Check Valve	1095	498526	Gasket Set-Valve				
		<b>Note</b>			922			692135	Spring-Brake	1210	499901	Pulley/Spring Assembly (Pulley)
		691701			691487			Brake	1211	499901	Pulley/Spring Assembly (Spring)	
870	699642	Seat-Valve (Exhaust) (Used After Code Date 03080300).	925	691349	Cover-Linkage	1218	695866	Seal-O Ring (Carburetor)				
		<b>Note</b>			957			497929	Cap-Fuel Tank (Plastic)(Black)	1277	698718	Guard-Governor Nut
		691702			694394			Primer-Carburetor	1278	691002	Screw (Governor Guard Nut)	
871	699643	Bushing-Valve Guide (Exhaust Valve) (Used After Code Date 03080300).	1019	699934	Kit-Label (Used After Code Date 03080300).	1330	270962	Repair Manual				
		<b>Note</b>			1036			695108	Label-Emissions			
		231348			275508			Operator's Manual (Emission)				
		Bushing-Valve Guide (Exhaust Valve) (Used Before Code Date 03080400).										
		63709										
		Bushing-Valve Guide (Intake Valve)										

★ Included in Engine Gasket Set-Ref. No.358.

● Included in Carburetor Overhaul Kit-Ref. No. 121.

◆ Included in Carburetor Gasket Set-Ref. No. 977.

△ Included in Valve Gasket Set-Ref. No 1095.

**Illustrations cover a range of engines. Parts shown without corresponding text may not be used on your specific engine.**