

9F900

Illustrated Parts List

Model Series

9F900

TYPE NUMBERS
0100 through 0112.

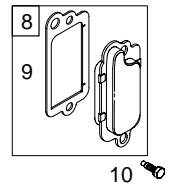
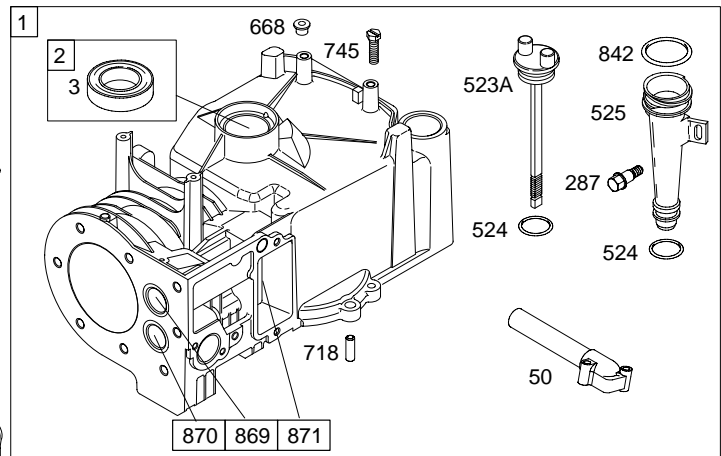
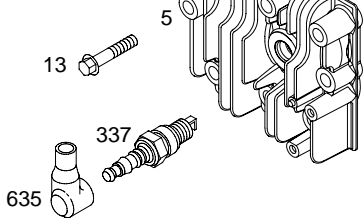
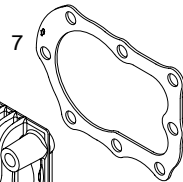
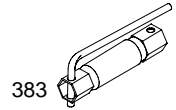
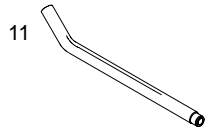
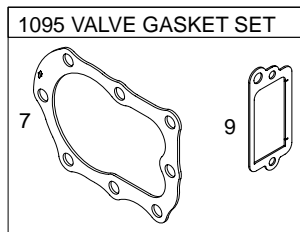
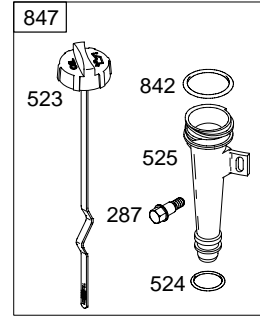
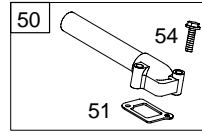
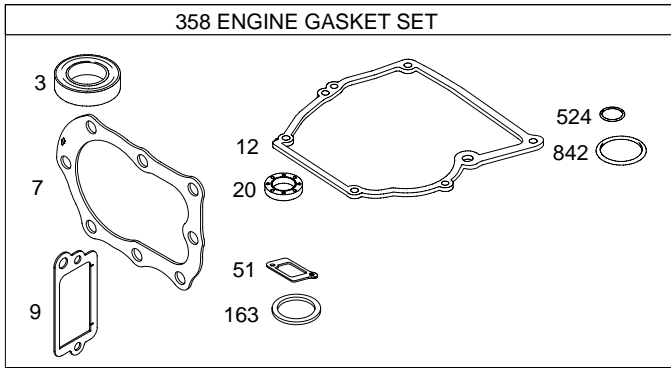
TABLE OF CONTENTS

Air Cleaner	6
Blower Housing	7
Brake	9
Cams	3
Carburetor	4
Controls	5
Covers	7
Crankcase Cover/Sump	3
Crankshaft	3
Cylinder	2
Flywheel	7
Fuel Tank	4
Governor Spring	5
Head	2
Ignition	5
Kits/Gaskets – Sets	2
Muffler Group	6
Oil Group	2
Piston Group	3
Rewind/Blower Housing 1	8
Valves	3



PRINTED IN U.S.A.

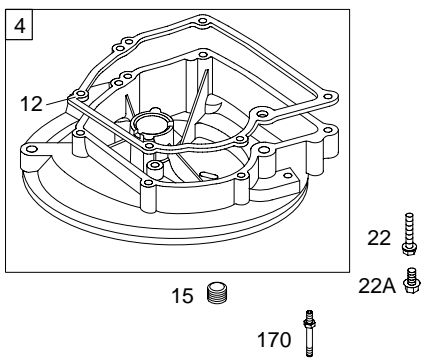
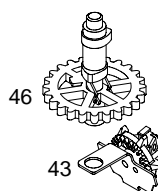
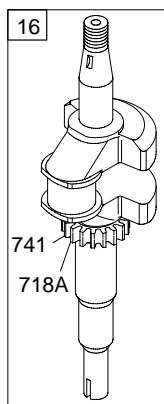
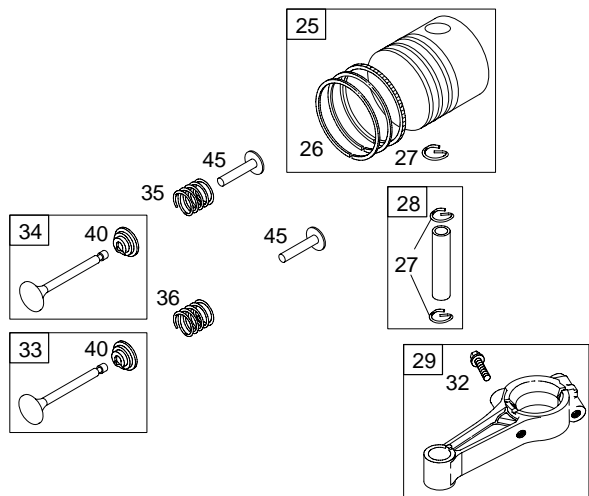
COPYRIGHT by BRIGGS & STRATTON CORPORATION
All rights reserved. No part of this material may be reproduced or transmitted, in any form or by any means, electronic or mechanical, including photocopying, recording or by any information storage and retrieval system, without permission in writing from Briggs & Stratton Corporation.

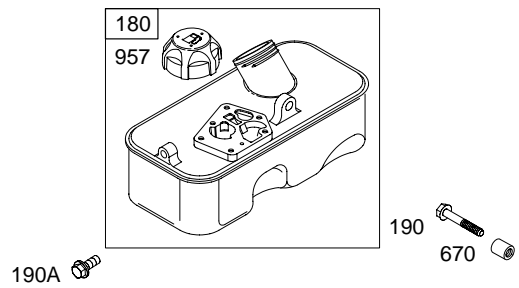
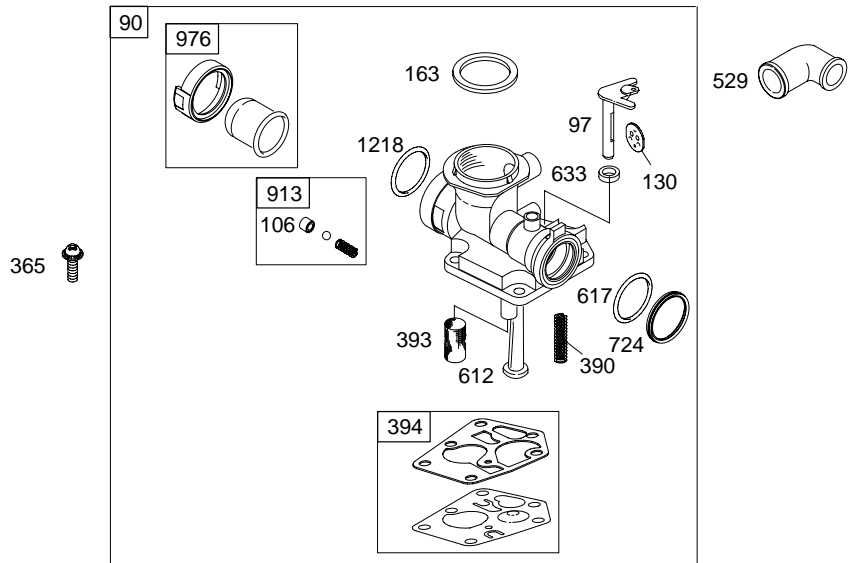


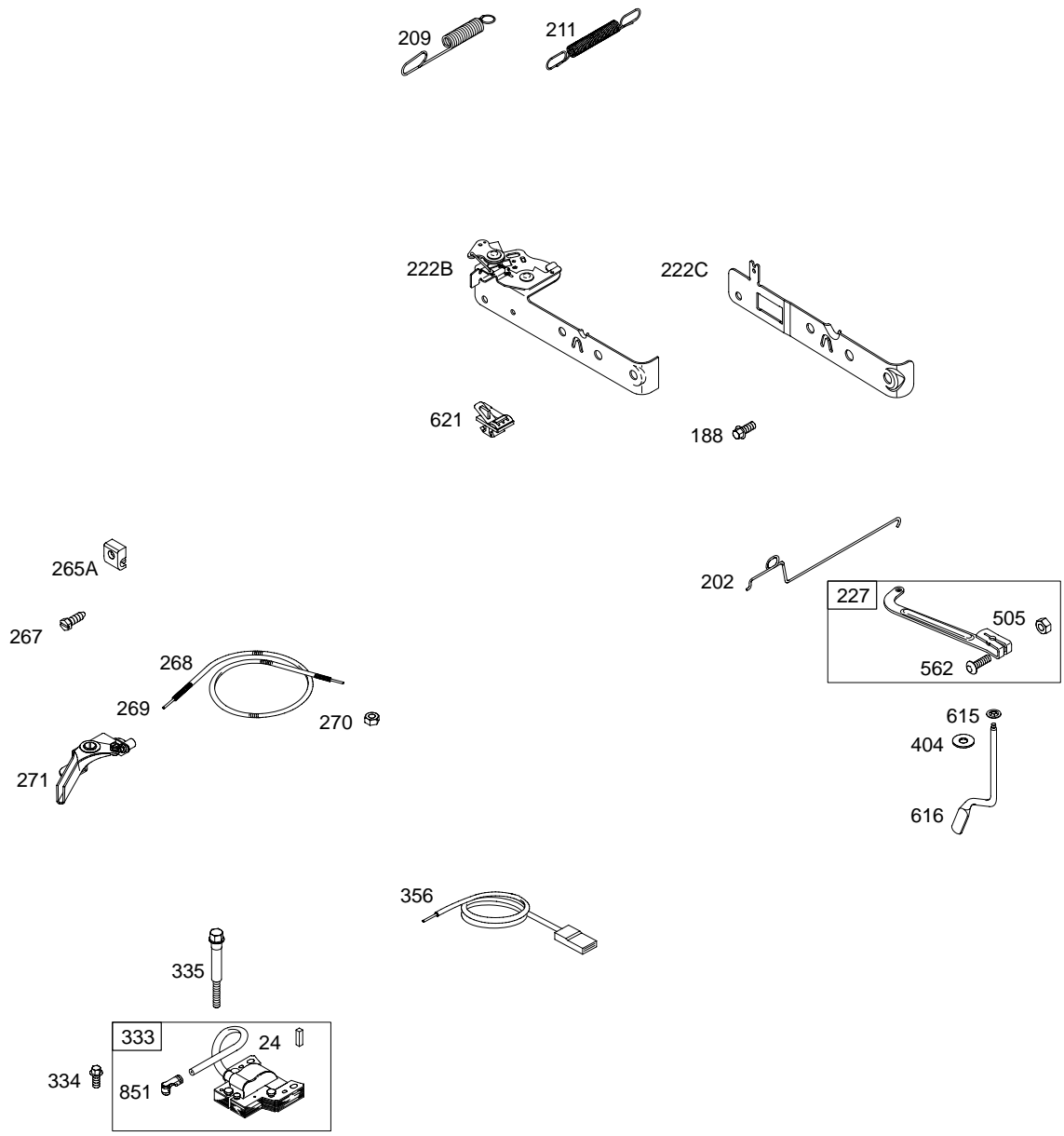
1019 LABEL KIT

1058 OWNER'S MANUAL

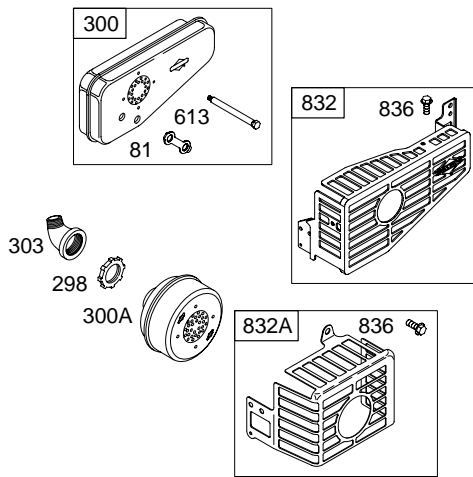
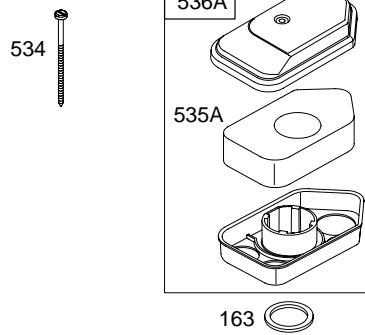
1330 REPAIR MANUAL

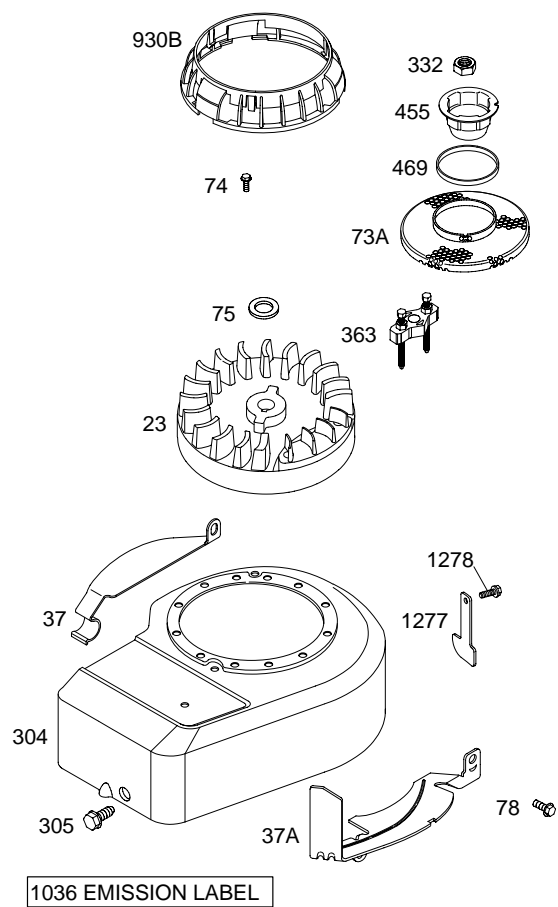




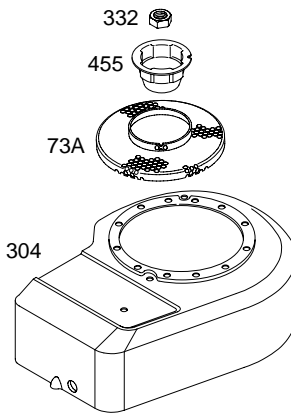
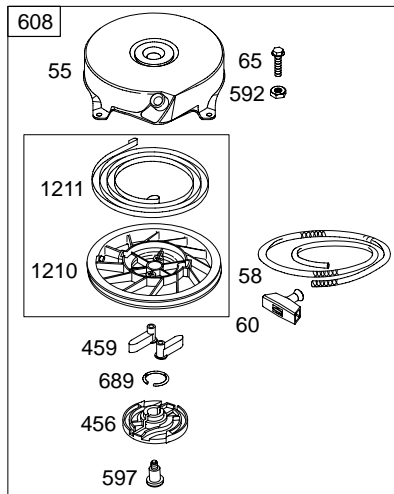
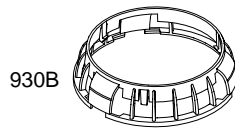


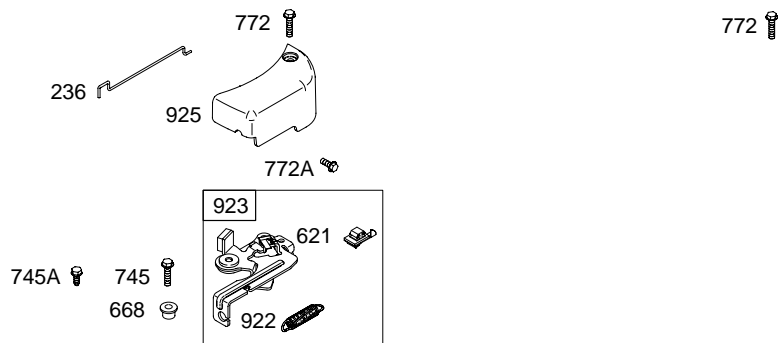
Illustrations cover a range of engines. Parts shown without corresponding text may not be used on your specific engine.
 5355-5 Assemblies include all parts shown in frames. 05/18/2004





Illustrations cover a range of engines. Parts shown without corresponding text may not be used on your specific engine.
 5355-7 Assemblies include all parts shown in frames. 05/18/2004





9F900

REF. NO.	PART NO.	DESCRIPTION	REF. NO.	PART NO.	DESCRIPTION	REF. NO.	PART NO.	DESCRIPTION
1	699650	Cylinder Assembly (Used After Code Date 03080300). ———— Note ———— 697401 Cylinder Assembly (Used Before Code Date 03080400).	20	★391483	Seal—Oil (PTO Side)	29	699654	Rod—Connecting (Standard) (Used After Code Date 03093000). ———— Note ———— 294367 Rod—Connecting (Standard) (Used After Code Date 03080300 and Before Code Date 03100100). 294201 Rod—Connecting (Standard) (Used Before Code Date 03080400). 296079 Rod—Connecting (.020" Undersize)
2	399269	Kit—Bushing/Seal (Magneto Side)	22	691662	Screw (Crankcase Cover/Sump)	32	691664	Screw (Connecting Rod)
3	★299819	Seal—Oil (Magneto Side)	22A	691681	Screw (Crankcase Cover/Sump)	33	296676	Valve—Exhaust
4	698691	Sump—Engine	23	692009	Flywheel	34	296677	Valve—Intake
5	690386	Head—Cylinder	24	222698	Key—Flywheel	35	690520	Spring—Valve (Intake)
7	★Δ698717	Gasket—Cylinder Head (Used After Code Date 04011800). ———— Note ———— 692288 Gasket—Cylinder Head (Used Before Code Date 04011900).	25	699656	Piston Assembly (Standard) (Used After Code Date 03080300). ———— Note ———— 498668 Piston Assembly (Standard) (Used Before Code Date 03080400). 498670 Piston Assembly (.020" Oversize)	36	690520	Spring—Valve (Exhaust)
8	699640	Breather Assembly (Used After Code Date 03080300). ———— Note ———— 495785 Breather Assembly (Used Before Code Date 03080400).	26	699658	Ring Set (Standard) (Used After Code Date 03080300). ———— Note ———— 498680 Ring Set (Standard) (Used Before Code Date 03080400). 498682 Ring Set (.020" Oversize)	37	697403	Guard—Flywheel (Carburetor Side)
9	★Δ695890	Gasket—Breather	27	691588	Lock—Piston Pin	37A	691209	Guard—Flywheel (Muffler Side)
10	691666	Screw (Breather Assembly)	28	699659	Pin—Piston (Standard) (Used After Code Date 03080300). ———— Note ———— 298909 Pin—Piston (Standard) (Used Before Code Date 03080400).	40	692194	Retainer—Valve
11	691245	Tube—Breather				43	697799	Slinger—Governor/Oil
12	★692218	Gasket—Crankcase (.015" Thick)(Standard) ———— Note ———— 270895 Gasket—Crankcase (.005" Thick) 270896 Gasket—Crankcase (.009" Thick)				45	691762	Tappet—Valve
13	691640	Screw (Cylinder Head)				46	691998	Camshaft
15	691680	Plug—Oil Drain				50	699644	Manifold—Intake (Used After Code Date 03080300). ———— Note ———— 693446 Manifold—Intake (Used Before Code Date 03080400).
16	692990	Crankshaft				51	★270345	Gasket—Intake
						54	691111	Screw (Intake Manifold)
						55	692144	Housing—Rewind Starter
						58	697316	Rope—Starter (1/8" Diameter, 88–5/8" Long) (Cut To Required Length)
						60	691915	Grip—Starter Rope (1 Piece)
						65	690837	Screw (Rewind Starter)

★ Included in Engine Gasket Set—Ref. No.358.

● Included in Carburetor Overhaul Kit—Ref. No. 121.

◆ Included in Carburetor Gasket Set—Ref. No. 977.

Δ Included in Valve Gasket Set—Ref. No 1095.

Illustrations cover a range of engines. Parts shown without corresponding text may not be used on your specific engine.

REF. NO.	PART NO.	DESCRIPTION	REF. NO.	PART NO.	DESCRIPTION	REF. NO.	PART NO.	DESCRIPTION
73A	699850	Screen—Rotating (Used After Code Date 03082400). ———— Note ———— 694018 Screen—Rotating (Used Before Code Date 03082500).	271	691028	Lever—Control	535A	698369	Filter—Air Cleaner Foam
74	691627	Screw (Rotating Screen)	287	691002	Screw (Dipstick Tube)	536A	698472	Cleaner—Air (Plastic)
75	691736	Washer (Flywheel)	298	691720	Locknut—Muffler/Elbow	562	691119	Bolt (Governor Control Lever)
78	692198	Screw (Flywheel Guard)	300	692307	Muffler (Super Lo Tone)	592	690800	Nut (Rewind Starter)
81	691179	Lock—Muffler Screw	300A	394569	Muffler (Round Lo Tone)	597	691696	Screw (Pawl Friction Plate)
90	697800	Carburetor	303	690291	Elbow—Exhaust	608	499706	Starter—Rewind
97	697414	Shaft—Throttle	304	698046	Housing—Blower (Compliance Engines)	612	496046	Tube—Pick Up
106	691901	Seat—Inlet	305	692198	Screw (Blower Housing)	613	691413	Screw (Muffler)
130	691190	Valve—Throttle	332	690662	Nut (Flywheel)	615	690340	Retainer—Governor Shaft
163	★271139	Gasket—Air Cleaner	333	496914	Armature—Magneto	616	697405	Crank—Governor
170	691690	Stud (Crankcase Cover/Sump)	334	691061	Screw (Magneto Armature)	617	270344	Seal—O Ring (Intake Manifold)
180	494406	Tank—Fuel (Metal)	335	691107	Screw (Magneto Armature With Air Vane)	621	692310	Switch—Stop
188	692198	Screw (Control Bracket)	337	802592	Plug—Spark	633	691321	Seal—Choke/Throttle Shaft
190	691640	Screw (Fuel Tank)	356	692390	Wire—Stop	635	66538	Boot—Spark Plug
190A	692198	Screw (Fuel Tank)	358	699933	Gasket Set—Engine (Used After Code Date 03080300). ———— Note ———— 298989 Gasket Set—Engine (Used Before Code Date 03080400).	668	692889	Spacer
202	698835	Link—Mechanical Governor	363	19069	Puller—Flywheel	670	691633	Spacer—Fuel Tank
209	698719	Spring—Governor (Light Blue) ———— Note ———— 698726 Spring—Governor (Pink) Used on Type No(s). 0111, 0112.	365	692200	Screw (Carburetor)	689	691855	Spring—Friction
211	691859	Spring—Governed Idle	383	89838	Wrench—Spark Plug	718	690959	Pin—Locating
222B	697410	Bracket—Control	390	691839	Spring—Choke Diaphragm	718A	499047	Pin—Locating
222C	698725	Bracket—Control (Fixed Speed)	393	691837	Screen—Carburetor	724	697478	Retainer—Seal
227	697402	Lever—Governor Control	394	495770	Diaphragm—Carburetor	741	691805	Gear—Timing
236	691867	Link—Lockout	404	690272	Washer (Governor Crank)	745	691146	Screw (Brake)
265A	690798	Clamp—Casing	455	691236	Cup—Flywheel	745A	690859	Screw (Brake)
267	691044	Screw (Casing Clamp)	456	692299	Plate—Pawl Friction	772	691111	Screw (Linkage Cover)
268	691072	Casing—Control Wire	459	281505	Pawl—Ratchet	772A	691183	Screw (Linkage Cover)
269	691589	Wire—Control	469	694420	Ring—Rotating Trim	832	494896	Guard—Muffler (Super Lo Tone)
270	691027	Nut (Control Wire Casing)	505	691251	Nut (Governor Control Lever)	832A	699670	Guard—Muffler (Round Lo Tone)
			523	692040	Dipstick	836	690664	Screw (Muffler Guard)
			523A	691913	Dipstick	842	★691870	Seal—O Ring (Dipstick Tube)
			524	★692296	Seal—Dipstick Tube			
			525	691320	Tube—Dipstick			
			529	692189	Grommet			
			534	691417	Screw (Air Cleaner)			

★ Included in Engine Gasket Set—Ref. No.358.

● Included in Carburetor Overhaul Kit—Ref. No. 121.

◆ Included in Carburetor Gasket Set—Ref. No. 977.

△ Included in Valve Gasket Set—Ref. No 1095.

Illustrations cover a range of engines. Parts shown without corresponding text may not be used on your specific engine.

9F900

REF. NO.	PART NO.	DESCRIPTION	REF. NO.	PART NO.	DESCRIPTION	REF. NO.	PART NO.	DESCRIPTION
847	691440	Dipstick/Tube Assembly	871	699643	Bushing-Valve Guide (Exhaust Valve) (Used After Code Date 03080300).	976	694394	Primer-Carburetor
851	493880	Terminal-Spark Plug				1019	699934	Kit-Label (Used After Code Date 03080300).
869	699641	Seat-Valve (Intake) (Used After Code Date 03080300).						Note 496757 Kit-Label (Used Before Code Date 03080400).
		Note						
	691701	Seat-Valve (Intake) (Used Before Code Date 03080400).				1036	695108	Label-Emissions
		Note				1058	275508	Operator's Manual
						1095	498526	Gasket Set-Valve
870	699642	Seat-Valve (Exhaust) (Used After Code Date 03080300).				1210	499901	Pulley/Spring Assembly (Pulley)
		Note	913	494409	Seat-Check Valve	1211	499901	Pulley/Spring Assembly (Spring)
			922	692135	Spring-Brake	1218	695866	Seal-O Ring (Carburetor)
			923	691487	Brake	1277	698718	Guard-Governor Nut
			925	691349	Cover-Linkage	1278	691002	Screw (Governor Guard Nut)
			930B	691348	Guard-Rewind	1330	270962	Repair Manual
			957	497929	Cap-Fuel Tank (Plastic)(Black)			

★ Included in Engine Gasket Set-Ref. No.358.

● Included in Carburetor Overhaul Kit-Ref. No. 121.

◆ Included in Carburetor Gasket Set-Ref. No. 977.

△ Included in Valve Gasket Set-Ref. No 1095.

Illustrations cover a range of engines. Parts shown without corresponding text may not be used on your specific engine.