

9G900

Illustrated Parts List

Model Series

9G900

TYPE NUMBERS
0145.

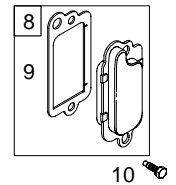
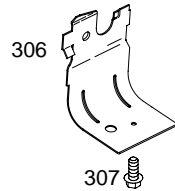
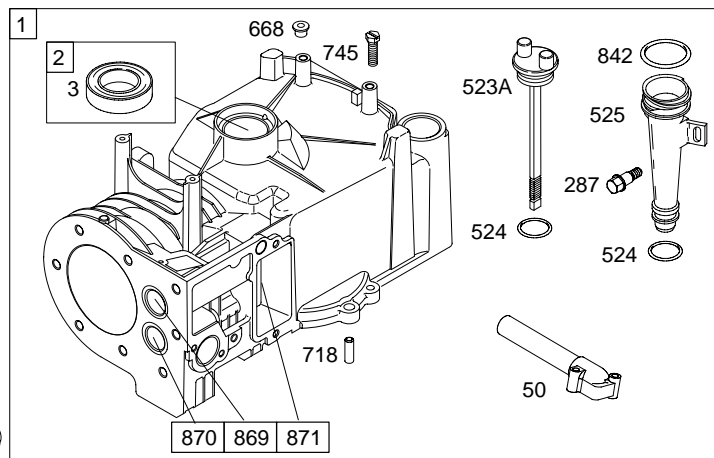
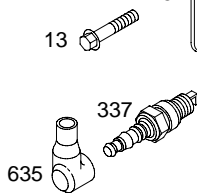
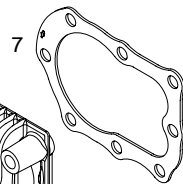
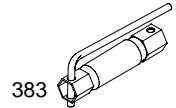
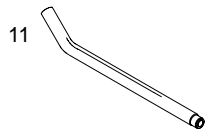
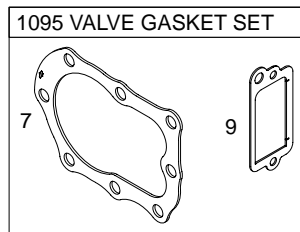
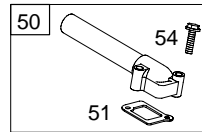
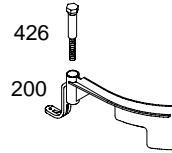
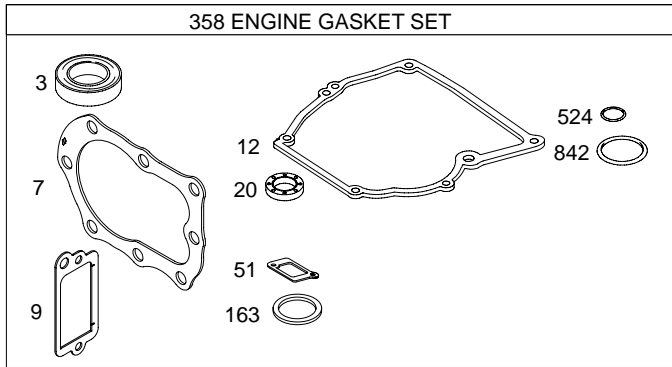
TABLE OF CONTENTS

Air Cleaner	6
Blower Housing	7
Cams	3
Carburetor	4
Controls	5
Covers	7
Crankcase Cover/Sump	3
Crankshaft	3
Cylinder	2
Flywheel	7
Fuel Tank	4
Governor Spring	5
Head	2
Ignition	5
Kits/Gaskets	2
Muffler	6
Oil	2
Piston Group	3
Rewind/Blower Housing 1	8
Valves	3



PRINTED IN U.S.A.

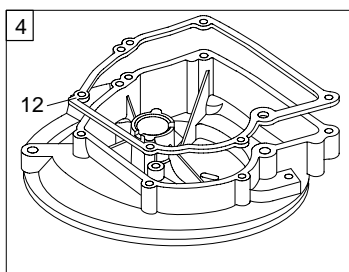
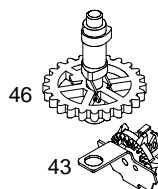
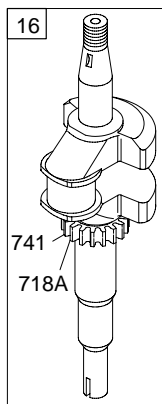
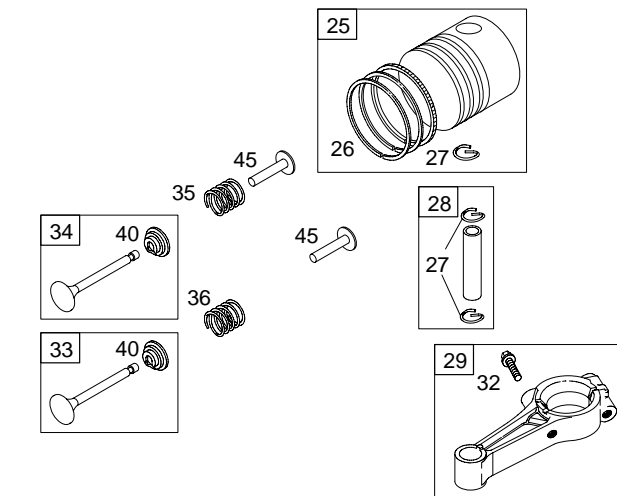
COPYRIGHT by BRIGGS & STRATTON CORPORATION
All rights reserved. No part of this material may be reproduced or transmitted, in any form or by any means, electronic or mechanical, including photocopying, recording or by any information storage and retrieval system, without permission in writing from Briggs & Stratton Corporation.

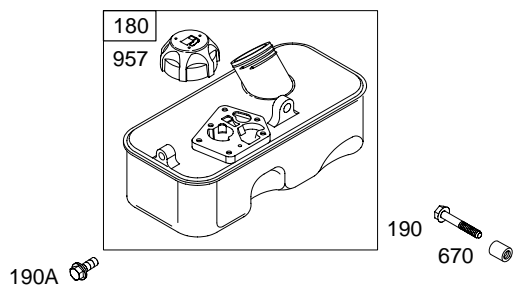
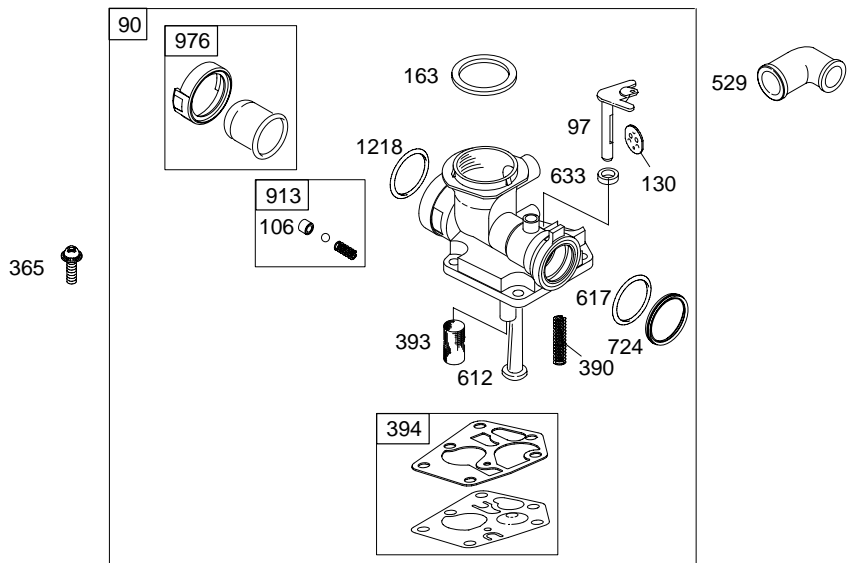


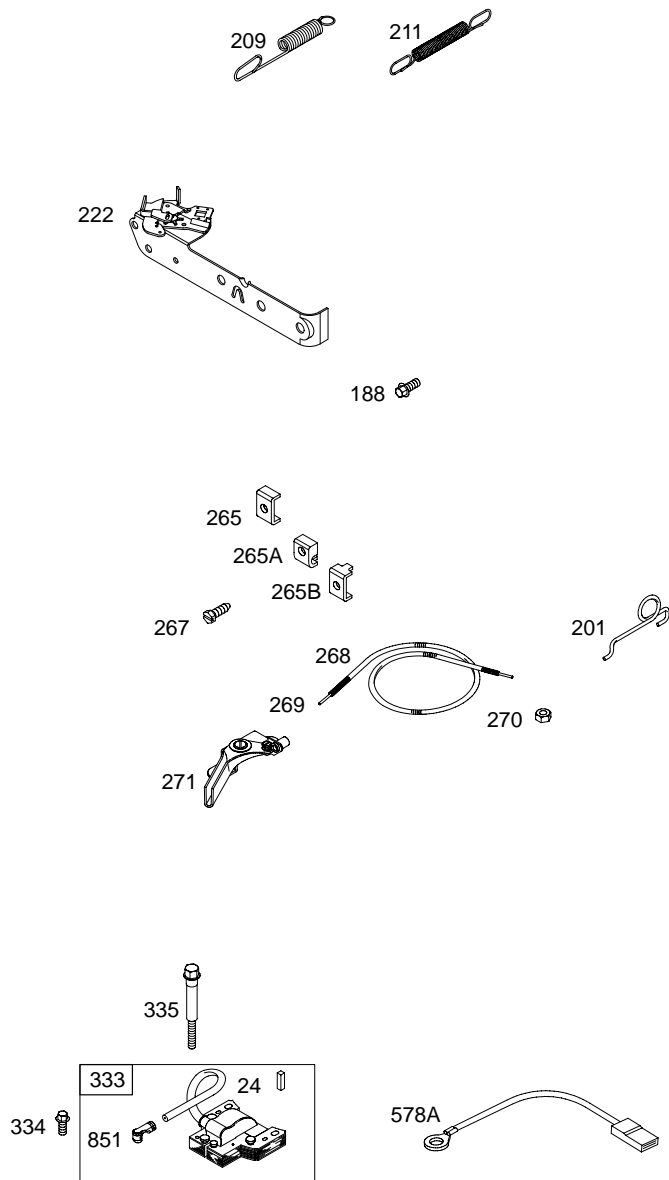
1019 LABEL KIT

1058 OWNER'S MANUAL

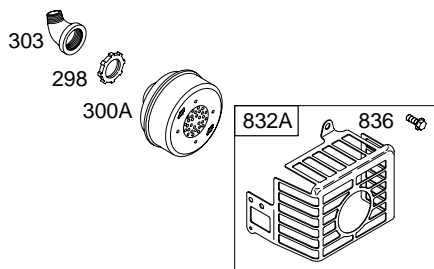
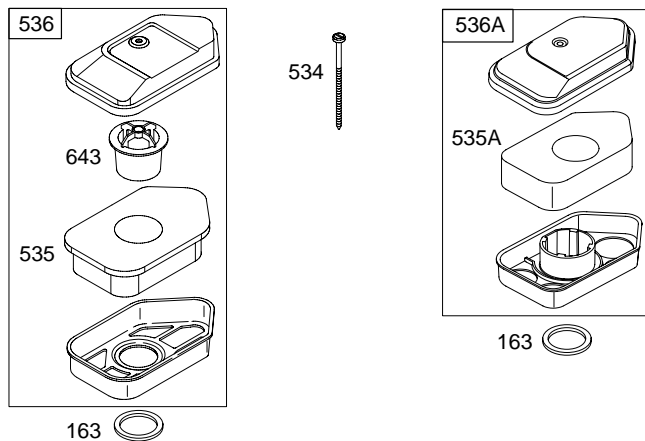
1330 REPAIR MANUAL

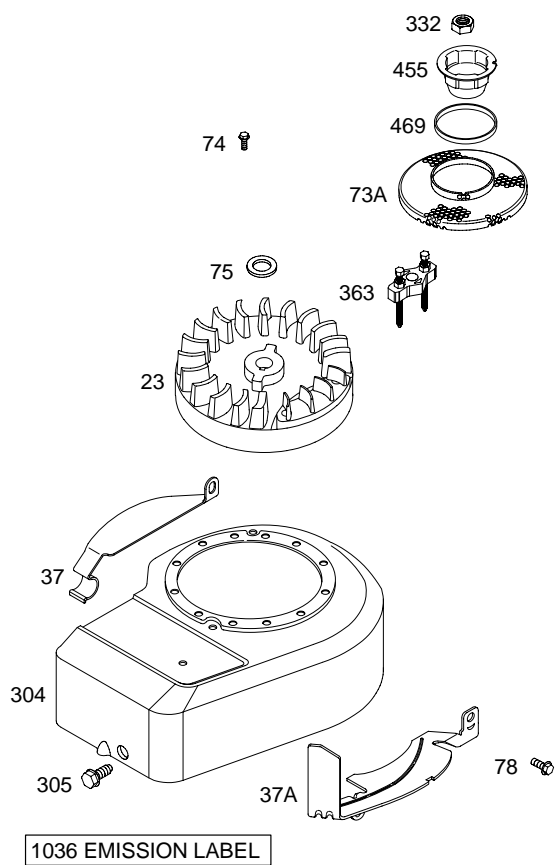




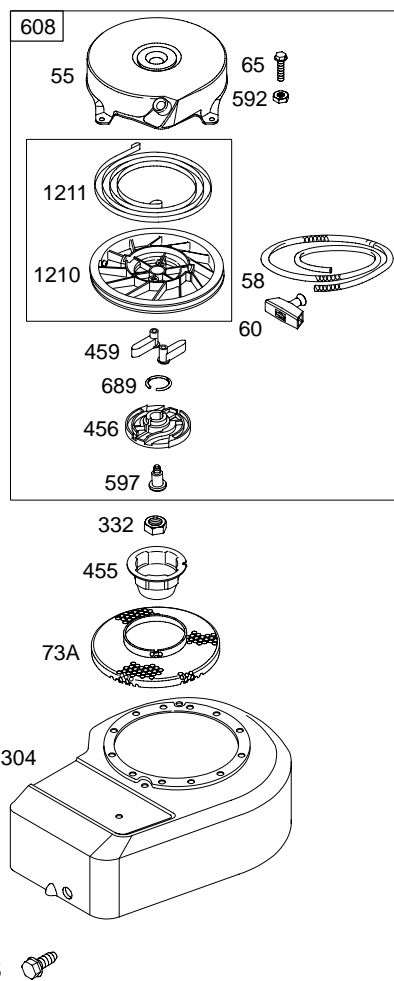


Illustrations cover a range of engines. Parts shown without corresponding text may not be used on your specific engine.
 5096-5 Assemblies include all parts shown in frames. 05/18/2004





Illustrations cover a range of engines. Parts shown without corresponding text may not be used on your specific engine.
 5096-7 Assemblies include all parts shown in frames. 05/18/2004



REF. NO.	PART NO.	DESCRIPTION	REF. NO.	PART NO.	DESCRIPTION	REF. NO.	PART NO.	DESCRIPTION
1	699653	Cylinder Assembly	11	691245	Tube-Breather	26	699658	Ring Set (Standard) (Used After Code Date 03080300).
2	399269	Kit-Bushing/Seal (Magneto Side)	12	★692218	Gasket-Crankcase (.015" Thick) (Standard)			Note
3	★299819	Seal-Oil (Magneto Side)			270895 Gasket-Crankcase (.005" Thick)			498680 Ring Set (Standard) (Used Before Code Date 03080400).
4	698691	Sump-Engine (Used After Code Date 02111200).			270896 Gasket-Crankcase (.009" Thick)			498682 Ring Set (.020" Oversize)
		Note	13	691640	Screw (Cylinder Head)	27	691588	Lock-Piston Pin
		395384 Sump-Engine (Used Before Code Date 02111300).	15	691680	Plug-Oil Drain	28	699659	Pin-Piston (Standard) (Used After Code Date 03080300).
5	690386	Head-Cylinder	16	692991	Crankshaft			Note
7	★Δ698717	Gasket-Cylinder Head (Used After Code Date 04011800).	20	★391483	Seal-Oil (PTO Side)			298909 Pin-Piston (Standard) (Used Before Code Date 03080400).
		Note	22	691662	Screw (Crankcase Cover/Sump)			29 699654 Rod-Connecting (Standard) (Used After Code Date 03093000).
		692288 Gasket-Cylinder Head (Used Before Code Date 04011900).	22A	691681	Screw (Crankcase Cover/Sump)			Note
8	699640	Breather Assembly (Used After Code Date 03080300).	23	690843	Flywheel			294367 Rod-Connecting (Standard) (Used After Code Date 03080300 and Before Code Date 03100100).
		Note	24	222698	Key-Flywheel			294201 Rod-Connecting (Standard) (Used Before Code Date 03080400).
		495785 Breather Assembly (Used Before Code Date 03080400).	25	699656	Piston Assembly (Standard) (Used After Code Date 03080300)			296079 Rod-Connecting (.020" Undersize)
9	★Δ695890	Gasket-Breather			Note			
10	691666	Screw (Breather Assembly)			498668 Piston Assembly (Standard) (Used Before Code Date 03080400)			
					498670 Piston Assembly (.020" Oversize)			

★ Included in Engine Gasket Set-Ref. No.358.

● Included in Carburetor Overhaul Kit-Ref. No. 121.

◆ Included in Carburetor Gasket Set-Ref. No. 977.

Δ Included in Valve Gasket Set-Ref. No 1095.

Illustrations cover a range of engines. Parts shown without corresponding text may not be used on your specific engine.

9G900

REF. NO.	PART NO.	DESCRIPTION	REF. NO.	PART NO.	DESCRIPTION	REF. NO.	PART NO.	DESCRIPTION
32	691664	Screw (Connecting Rod)	60	691915	Grip–Starter Rope (1 Piece)	265	692179	Clamp–Casing
33	296676	Valve–Exhaust	65	690837	Screw (Rewind Starter)	265A	690798	Clamp–Casing
34	296677	Valve–Intake	73A	699850	Screen–Rotating (Used After Code Date 03082400).	265B	691024	Clamp–Casing
35	690520	Spring–Valve (Intake)			Note	267	691044	Screw (Casing Clamp)
36	690520	Spring–Valve (Exhaust)			694018 Screen– Rotating (Used Before Code Date 03082500).	268	691072	Casing–Control Wire (Cut To Required Length)
37	690482	Guard–Flywheel (Carburetor Side)	74	691627	Screw (Rotating Screen)	269	691589	Wire–Control (Cut To Required Length)
37A	691209	Guard–Flywheel (Muffler Side)	75	691736	Washer (Flywheel)	270	691027	Nut (Control Wire Casing)
40	692194	Retainer–Valve	78	692198	Screw (Flywheel Guard)	271	691028	Lever–Control
43	698690	Slinger–Governor/Oil (Used After Code Date 02110400).	90	498809	Carburetor	287	691002	Screw (Dipstick Tube)
		Note	97	691931	Shaft–Throttle	298	691720	Locknut–Muffler/Elbow
		691983 Slinger– Governor/Oil (Used Before Code Date 02110500).	106	691901	Seat–Inlet	300A	394569	Muffler
45	691762	Tappet–Valve	130	691190	Valve–Throttle	303	690291	Elbow–Exhaust
46	691998	Camshaft	163	★271139	Gasket–Air Cleaner	304	691484	Housing–Blower (Compliance Engines)
50	699644	Manifold–Intake (Used After Code Date 03080300).	170	691690	Stud (Crankcase Cover/Sump)	305	692198	Screw (Blower Housing)
		Note	180	494406	Tank–Fuel (Metal)	306	690400	Shield–Cylinder
		693446 Manifold– Intake (Used Before Code Date 03080400).	188	692198	Screw (Control Bracket)	307	690345	Screw (Cylinder Shield)
51	★270345	Gasket–Intake	190	691640	Screw (Fuel Tank)	332	690662	Nut (Flywheel)
54	691111	Screw (Intake Manifold)	190A	692198	Screw (Fuel Tank)	333	496914	Armature–Magneto
55	692144	Housing–Rewind Starter	200	691912	Blade–Governor	334	691061	Screw (Magneto Armature)
58	697316	Rope–Starter (1/8" Diameter, 88–5/8" Long) (Cut To Required Length)	201	690347	Link–Air Vane	335	691107	Screw (Magneto Armature With Air Vane)
			209	690251	Spring–Governor	337	802592	Plug–Spark
			211	691859	Spring–Governed Idle	346	690661	Screw (Spark Arrestor)
			222	691446	Bracket–Control	357	692191	Key–Drive Pulley
						358	699933	Gasket Set–Engine
						363	19069	Puller–Flywheel

★ Included in Engine Gasket Set–Ref. No.358.

● Included in Carburetor Overhaul Kit–Ref. No. 121.

◆ Included in Carburetor Gasket Set–Ref. No. 977.

△ Included in Valve Gasket Set–Ref. No 1095.

Illustrations cover a range of engines. Parts shown without corresponding text may not be used on your specific engine.

REF. NO.	PART NO.	DESCRIPTION	REF. NO.	PART NO.	DESCRIPTION	REF. NO.	PART NO.	DESCRIPTION
365	692200	Screw (Carburetor)	597	691696	Screw (Pawl Friction Plate)	870	699642	Seat-Valve (Exhaust) (Used After Code Date 03080300).
377	692193	Key-Woodruff	608	499706	Starter-Rewind	Note		
383	89838	Wrench-Spark Plug	612	496046	Tube-Pick Up	691702		Seat-Valve (Exhaust) (Used Before Code Date 03080400).
390	691839	Spring-Choke Diaphragm	617	270344	Seal-O Ring (Intake Manifold)	871	699643	Bushing-Valve Guide (Exhaust Valve) (Used After Code Date 03080300).
393	691837	Screen-Carburetor	633	691321	Seal-Choke/Throttle Shaft (Throttle)	Note		
394	495770	Diaphragm-Carburetor	635	66538	Boot-Spark Plug	231348		Bushing-Valve Guide (Exhaust Valve) (Used Before Code Date 03080400).
426	691107	Screw (Governor Blade)	643	691911	Retainer-Air Filter	871	699643	Bushing-Valve Guide (Exhaust Valve) (Used After Code Date 03080300).
455	691236	Cup-Flywheel	668	692889	Spacer	Note		
456	692299	Plate-Pawl Friction	670	691633	Spacer-Fuel Tank (Non Compliance Engines)	691701		Seat-Valve (Intake) (Used Before Code Date 03080400).
459	281505	Pawl-Ratchet	689	691855	Spring-Friction	871	699643	Bushing-Valve Guide (Exhaust Valve) (Used Before Code Date 03080400).
469	694420	Ring-Rotating Trim (Used Before Code Date 03082500).	718	690959	Pin-Locating	63709		Bushing-Valve Guide (Intake Valve)
523A	691913	Dipstick	718A	499047	Pin-Locating	913	494409	Seat-Check Valve
524	★692296	Seal-Dipstick Tube	724	697478	Retainer-Seal	957	497929	Cap-Fuel Tank (Plastic)(Black)
525	691320	Tube-Dipstick	741	691805	Gear-Timing	976	694394	Primer-Carburetor
529	692189	Grommet	745	691146	Screw (Brake)	1019	697579	Kit-Label
534	691417	Screw (Air Cleaner)	832A	699670	Guard-Muffler	1036	697578	Label-Emissions
535	272235	Filter-Air Cleaner Foam	836	690664	Screw (Muffler Guard)	1058	275508	Operator's Manual (Emission)
535A	698369	Filter-Air Cleaner Foam	842	★691870	Seal-O Ring (Dipstick Tube)	1095	498526	Gasket Set-Valve
536	493492	Cleaner-Air (Metal) (Used Before Code Date 02101100).	851	493880	Terminal-Spark Plug	1210	499901	Pulley/Spring Assembly (Pulley)
536A	698472	Cleaner-Air (Plastic) (Used After Code Date 02101000).	869	699641	Seat-Valve (Intake) (Used After Code Date 03080300).	1211	499901	Pulley/Spring Assembly (Spring)
578A	697582	Wire Assembly	Note			1218	695866	Seal-O Ring (Carburetor)
592	690800	Nut (Rewind Starter)	Note			1330	270962	Repair Manual

★ Included in Engine Gasket Set-Ref. No.358.

● Included in Carburetor Overhaul Kit-Ref. No. 121.

◆ Included in Carburetor Gasket Set-Ref. No. 977.

△ Included in Valve Gasket Set-Ref. No 1095.

Illustrations cover a range of engines. Parts shown without corresponding text may not be used on your specific engine.