

9H900

Illustrated Parts List

Model Series

9H900

TYPE NUMBER
0146 .

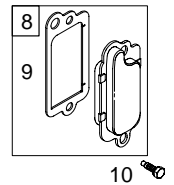
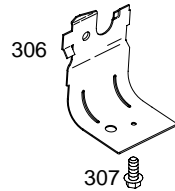
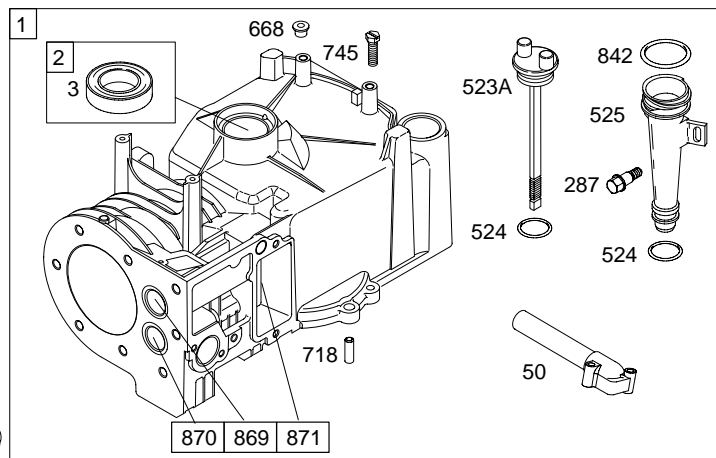
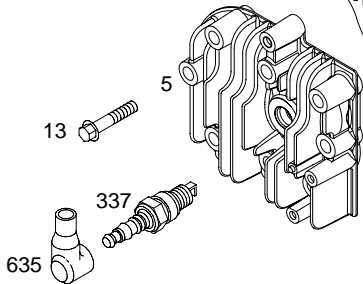
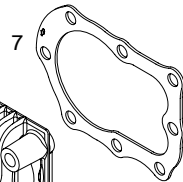
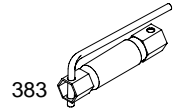
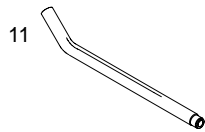
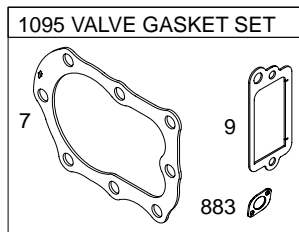
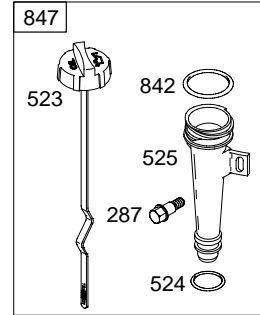
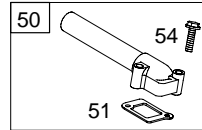
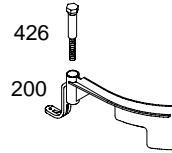
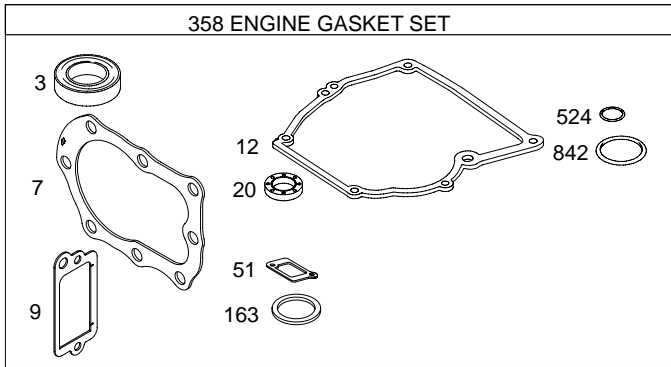
TABLE OF CONTENTS

Air Cleaner	6
Blower Housing	7
Cams	3
Carburetor	4
Controls	5
Covers	7
Crankcase Cover/Sump	3
Crankshaft	3
Cylinder	2
Flywheel	7
Fuel Tank	4
Governor Spring	5
Head	2
Ignition	5
Kits/Gaskets	2
Muffler	6
Oil	2
Piston Group	3
Rewind/Blower Housing 1	8
Valves	3



PRINTED IN U.S.A.

COPYRIGHT by BRIGGS & STRATTON CORPORATION
All rights reserved. No part of this material may be reproduced or transmitted, in any form or by any means, electronic or mechanical, including photocopying, recording or by any information storage and retrieval system, without permission in writing from Briggs & Stratton Corporation.

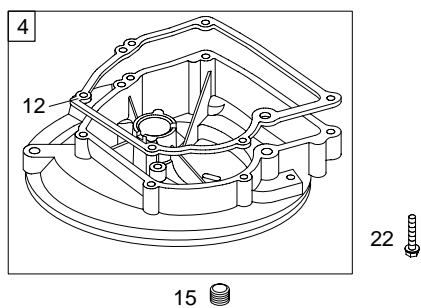
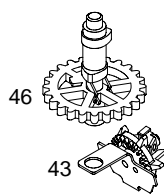
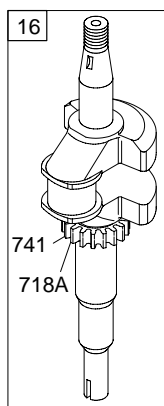
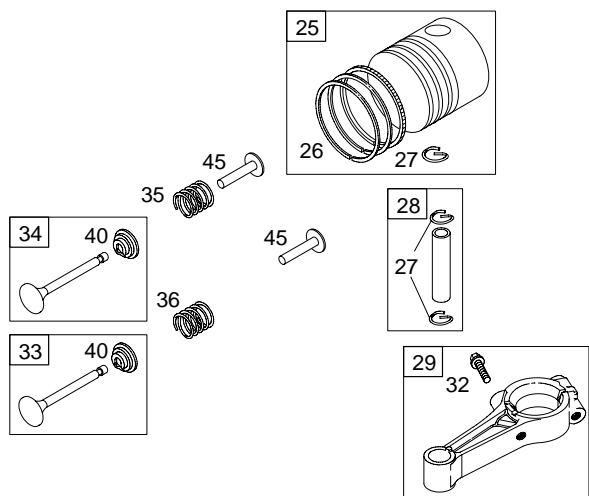


1019 LABEL KIT

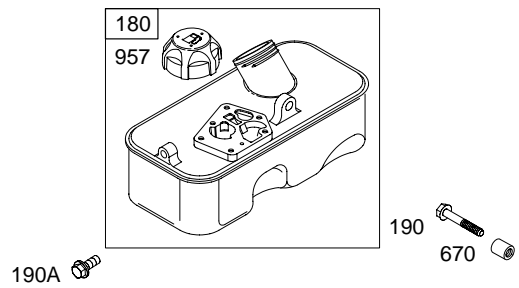
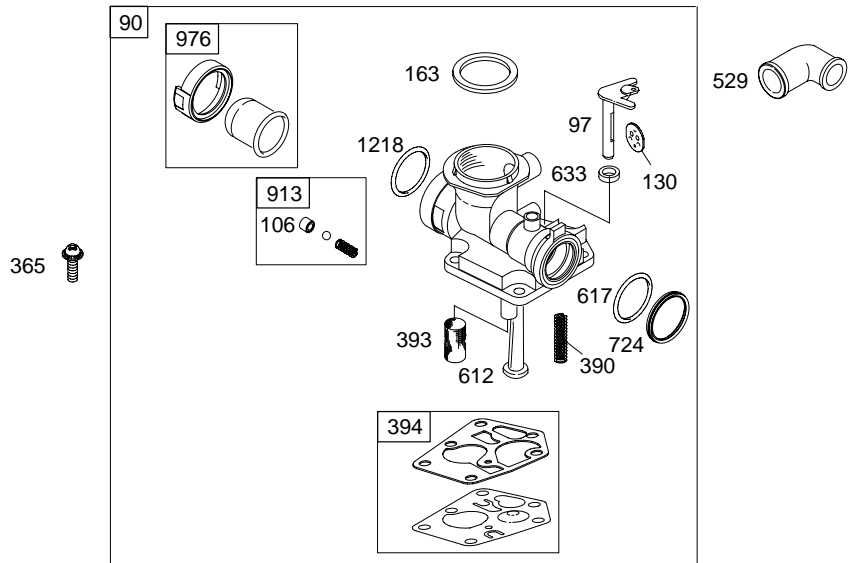
1058 OWNER'S MANUAL

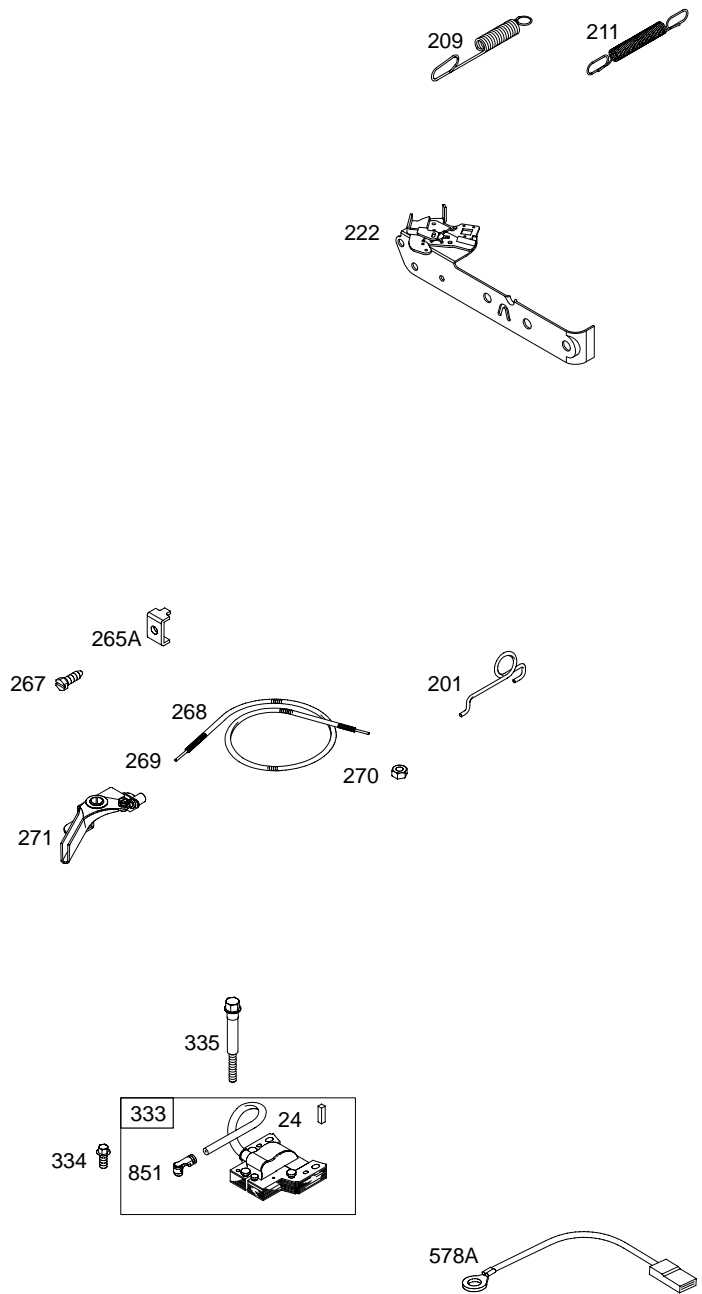
1330 REPAIR MANUAL

Illustrations cover a range of engines. Parts shown without corresponding text may not be used on your specific engine.

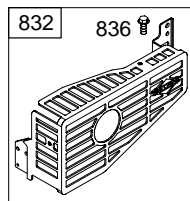
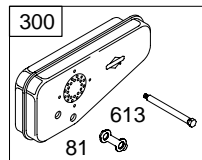
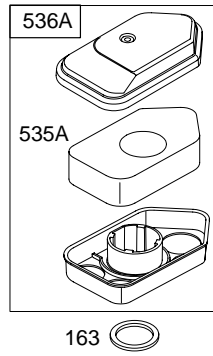
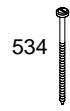


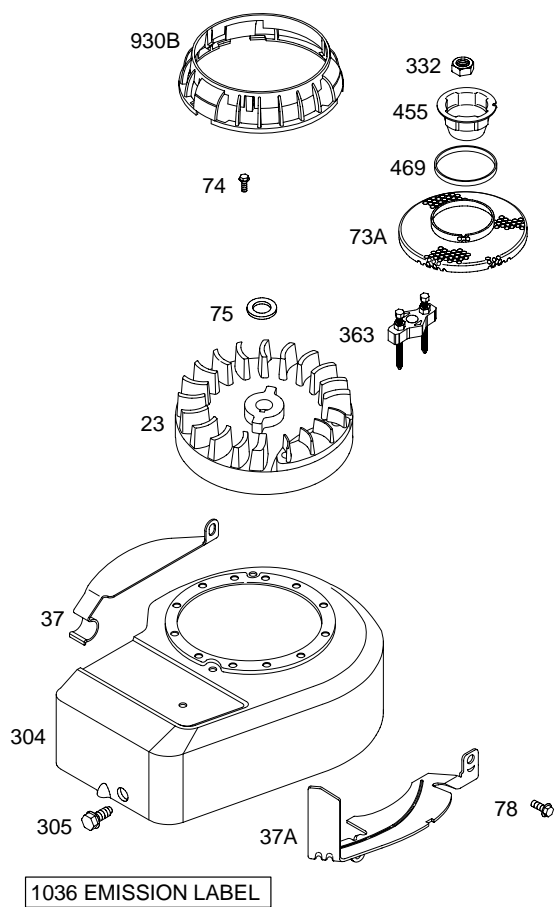
Illustrations cover a range of engines. Parts shown without corresponding text may not be used on your specific engine.
5358-3 Assemblies include all parts shown in frames. 05/18/2004



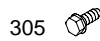
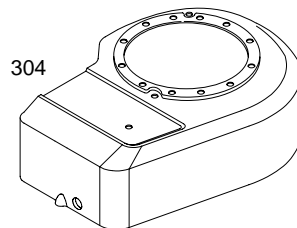
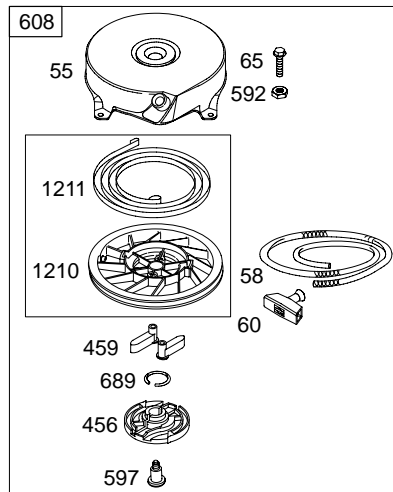
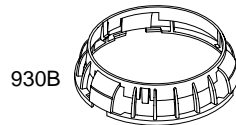


5358-5 *Illustrations cover a range of engines. Parts shown without corresponding text may not be used on your specific engine.* Assemblies include all parts shown in frames. 05/18/2004





5358-7 *Illustrations cover a range of engines. Parts shown without corresponding text may not be used on your specific engine.* Assemblies include all parts shown in frames. 05/18/2004



9H900

REF. NO.	PART NO.	DESCRIPTION	REF. NO.	PART NO.	DESCRIPTION	REF. NO.	PART NO.	DESCRIPTION
1	699653	Cylinder Assembly	10	691666	Screw (Breather Assembly)	26	699658	Ring Set (Standard) (Used After Code Date 03080300).
2	399269	Kit-Bushing/Seal (Magneto Side)	11	691245	Tube-Breather			Note _____
3	★299819	Seal-Oil (Magneto Side)	12	★692218	Gasket-Crankcase (.015" Thick)(Standard)			498680 Ring Set (Standard) (Used Before Code Date 03080400).
4	698691	Sump-Engine (Used After Code Date 02111200).	13	691640	Screw (Cylinder Head)			498682 Ring Set (.020" Oversize)
		Note _____	15	691680	Plug-Oil Drain	27	691588	Lock-Piston Pin
		395384 Sump-Engine (Used Before Code Date 02111300).	16	492748	Crankshaft	28	699659	Pin-Piston (Standard) (Used After Code Date 03080300).
5	690386	Head-Cylinder	20	★391483	Seal-Oil (PTO Side)			Note _____
7	★Δ698717	Gasket-Cylinder Head (Used After Code Date 04011800).	22	691662	Screw (Crankcase Cover/Sump)			298909 Pin-Piston (Standard) (Used Before Code Date 03080400).
		Note _____	23	692009	Flywheel			
		692288 Gasket-Cylinder Head (Used Before Code Date 04011900).	24	222698	Key-Flywheel			
8	699640	Breather Assembly (Used After Code Date 03080300).	25	699657	Piston Assembly (Standard) (Used After Code Date 03080300).			
		Note _____			Note _____			
		495785 Breather Assembly (Used Before Code Date 03080400).			498668 Piston Assembly (Standard) (Used Before Code Date 03080400).			
9	★Δ695890	Gasket-Breather			498670 Piston Assembly (.020" Oversize)			

★ Included in Engine Gasket Set-Ref. No.358.

● Included in Carburetor Overhaul Kit-Ref. No. 121.

◆ Included in Carburetor Gasket Set-Ref. No. 977.

Δ Included in Valve Gasket Set-Ref. No 1095.

Illustrations cover a range of engines. Parts shown without corresponding text may not be used on your specific engine.
5358-9 Assemblies include all parts shown in frames. 05/18/2004

9H900

REF. NO.	PART NO.	DESCRIPTION	REF. NO.	PART NO.	DESCRIPTION	REF. NO.	PART NO.	DESCRIPTION
29	699654	Rod-Connecting (Standard) (Used After Code Date 03093000). Note 294367 Rod-Connecting (Standard) (Used After Code Date 03080300 and Before Code Date 03100100). 294201 Rod-Connecting (Standard) (Used Before Code Date 03080400). 296079 Rod-Connecting (.020" Undersize)	50	699644	Manifold-Intake (Used After Code Date 03080300). Note 693446 Manifold-Intake (Used Before Code Date 03080400).	90	498809	Carburetor
32	691664	Screw (Connecting Rod)	51	*270345	Gasket-Intake	97	691931	Shaft-Throttle
33	296676	Valve-Exhaust	54	93485	Screw (Intake Manifold)	106	691901	Seat-Inlet
34	296677	Valve-Intake	55	692144	Housing-Rewind Starter	130	691190	Valve-Throttle
35	690520	Spring-Valve (Intake)	58	697316	Rope-Starter (1/8" Diameter, 88-5/8" Long)(Cut To Required Length)	163	*271139	Gasket-Air Cleaner
36	690520	Spring-Valve (Exhaust)	60	691915	Grip-Starter Rope	180	494406	Tank-Fuel (Metal)
37	690482	Guard-Flywheel (Carburetor Side)	65	690837	Screw (Rewind Starter)	190	691640	Screw (Fuel Tank)
37A	691209	Guard-Flywheel (Muffler Side)	73A	699850	Screen-Rotating (Used After Code Date 03082400). Note 694018 Screen-Rotating (Used Before Code Date 03082500).	190A	692198	Screw (Fuel Tank)
40	692194	Retainer-Valve	74	94058	Screw (Rotating Screen)	200	691912	Blade-Governor
43	698690	Slinger-Governor/Oil	75	691736	Washer (Flywheel)	201	690347	Link-Air Vane
45	691762	Tappet-Valve	78	692198	Screw (Flywheel Guard)	209	691861	Spring-Governor (Brown)
46	691998	Camshaft	81	691179	Lock-Muffler Screw	211	691859	Spring-Governed Idle
						222	691446	Bracket-Control
						265A	690798	Clamp-Casing
						267	691044	Screw (Casing Clamp)
						268	691072	Casing-Control Wire (Cut To Required Length)
						269	691589	Wire-Control (Cut To Required Length)
						270	691027	Nut (Control Wire Casing)
						271	691028	Lever-Control
						287	691002	Screw (Dipstick Tube)
						300	692307	Muffler (Super Lo Tone)
						304	692536	Housing-Blower

★ Included in Engine Gasket Set-Ref. No.358.

● Included in Carburetor Overhaul Kit-Ref. No. 121.

◆ Included in Carburetor Gasket Set-Ref. No. 977.

△ Included in Valve Gasket Set-Ref. No 1095.

Illustrations cover a range of engines. Parts shown without corresponding text may not be used on your specific engine.

9H900

REF. NO.	PART NO.	DESCRIPTION	REF. NO.	PART NO.	DESCRIPTION	REF. NO.	PART NO.	DESCRIPTION
305	692198	Screw (Blower Housing)	578A	697582	Wire Assembly	870	699642	Seat-Valve (Exhaust)
306	690400	Shield-Cylinder	592	690800	Nut (Rewind Starter)			(Used After Code Date 03080300).
307	690345	Screw (Cylinder Shield)	597	691696	Screw (Pawl Friction Plate)			Note
332	690662	Nut (Flywheel)	608	499706	Starter-Rewind			691702 Seat-Valve (Exhaust)
333	496914	Armature-Magneto	612	496046	Tube-Pick Up			(Used Before Code Date 03080400).
334	691061	Screw (Magneto Armature)	613	691413	Screw (Muffler)			
335	691107	Screw (Magneto Armature With Air Vane)	617	270344	Seal-O Ring (Intake Manifold)	871	699643	Bushing-Valve Guide (Exhaust)
337	802592	Plug-Spark	633	691321	Seal-Choke/Throttle Shaft			(Used After Code Date 03080300).
358	699933	Gasket Set-Engine	635	66538	Boot-Spark Plug			Note
363	19069	Puller-Flywheel	668	692889	Spacer			231348 Bushing-Valve Guide
365	692200	Screw (Carburetor)	670	691633	Spacer-Fuel Tank			(Exhaust)
383	89838	Wrench-Spark Plug	689	691855	Spring-Friction			(Used Before Code Date 03080400).
390	691839	Spring-Choke Diaphragm	718	690959	Pin-Locating			63709 Bushing-Valve Guide
393	691837	Screen-Carburetor	718A	499047	Pin-Locating			(Intake)
394	495770	Diaphragm-Carburetor	724	697478	Retainer-Seal			
426	691107	Screw (Governor Blade)	741	691805	Gear-Timing			
455	691236	Cup-Flywheel	745	691146	Screw (Brake)	883	691880	Gasket-Exhaust
456	692299	Plate-Pawl Friction	832	494896	Guard-Muffler (Super Lo Tone)	913	494409	Seat-Check Valve
459	281505	Pawl-Ratchet	836	690664	Screw (Muffler Guard)	930B	691348	Guard-Rewind
469	694420	Ring-Rotating Trim (Used Before Code Date 03082500).	842	★691870	Seal-O Ring (Dipstick Tube)	957	497929	Cap-Fuel Tank (Plastic)(Black)
523	692040	Dipstick	847	691440	Dipstick/Tube Assembly	976	694394	Primer-Carburetor
523A	691913	Dipstick	851	493880	Terminal-Spark Plug	1019	496757	Kit-Label
524	★692296	Seal-Dipstick Tube	869	699641	Seat-Valve (Intake)	1036	697578	Label-Emissions
525	691320	Tube-Dipstick			(Used After Code Date 03080300).	1058	275508	Operator's Manual (Emission)
529	692189	Grommet			Note	1095	498526	Gasket Set-Valve
534	691417	Screw (Air Cleaner)			691701 Seat-Valve (Intake)	1210	499901	Pulley/Spring Assembly
535A	698369	Filter-Air Cleaner Foam			(Used Before Code Date 03080400).	1211	499901	Pulley/Spring Assembly (Spring)
536A	698472	Cleaner-Air (Plastic)				1218	695866	Seal-O Ring (Carburetor)
						1330	270962	Repair Manual

★ Included in Engine Gasket Set-Ref. No.358.

● Included in Carburetor Overhaul Kit-Ref. No. 121.

◆ Included in Carburetor Gasket Set-Ref. No. 977.

△ Included in Valve Gasket Set-Ref. No 1095.

Illustrations cover a range of engines. Parts shown without corresponding text may not be used on your specific engine.

5358-11

Assemblies include all parts shown in frames.

05/18/2004