

# Illustrated Parts List

## Model Series

# 9K400

TYPE NUMBERS  
0022 through 0119.

### TABLE OF CONTENTS

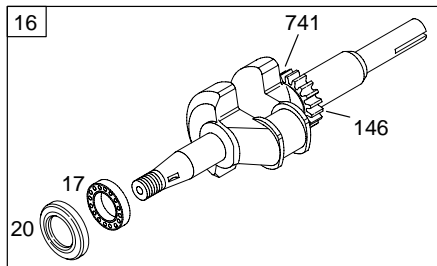
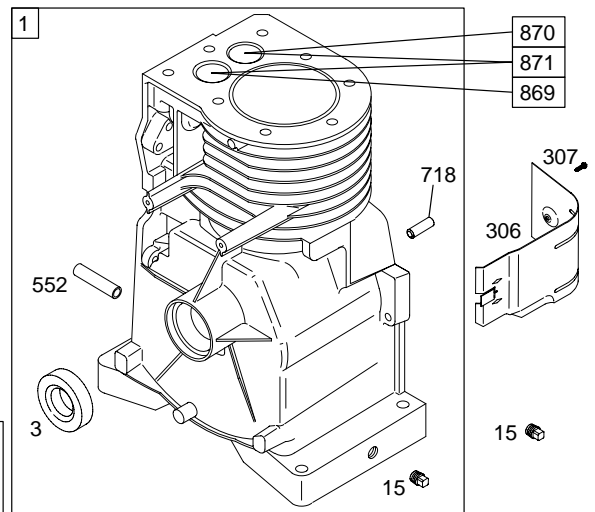
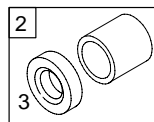
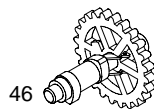
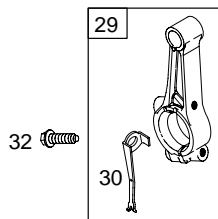
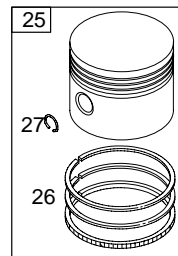
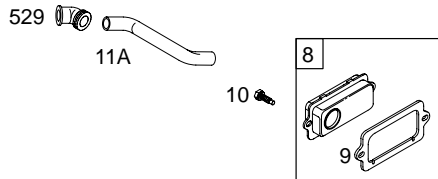
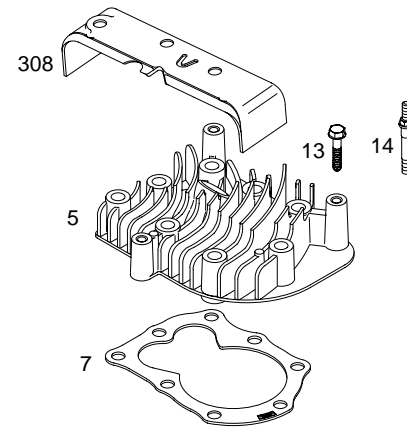
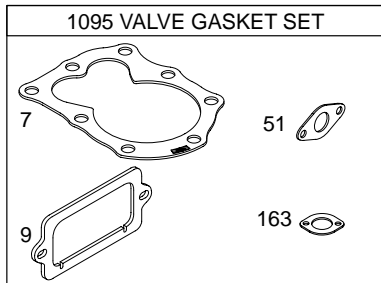
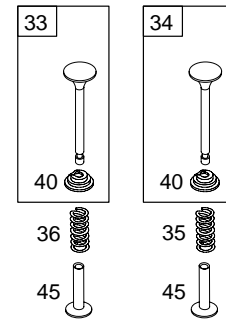
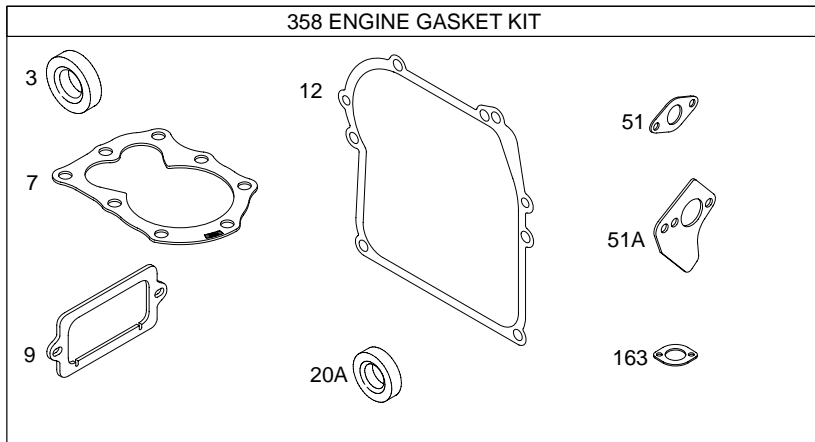
Air Cleaner .....	6
Blower Housing .....	7
Cams .....	2
Carburetor .....	4
Controls .....	5
Crankcase Cover/Sump .....	3
Crankshaft .....	2
Cylinder .....	2
Flywheel .....	7
Fuel Tank .....	4
Governor Spring .....	5
Head .....	2
Ignition .....	5
Kits/Gaskets-Carburetor .....	4
Kits/Gaskets-Valve/Engine .....	2
Muffler .....	6
Oil .....	3
Piston Group .....	2
Rewind .....	7
Valves .....	2



PRINTED IN U.S.A.

COPYRIGHT by BRIGGS & STRATTON CORPORATION  
All rights reserved. No part of this material may be reproduced or transmitted, in any form or by any means, electronic or mechanical, including photocopying, recording or by any information storage and retrieval system, without permission in writing from Briggs & Stratton Corporation.

# 9K400

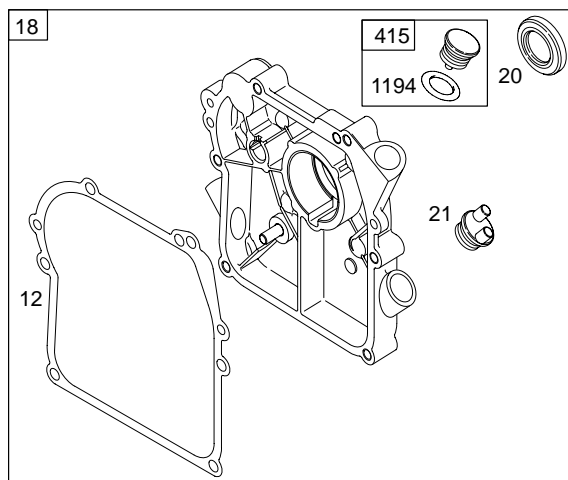
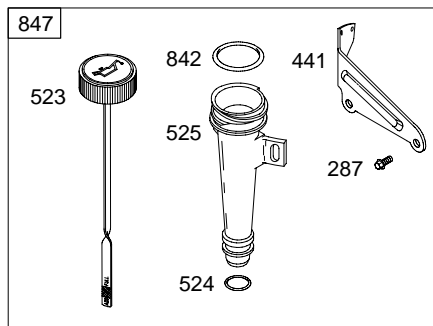


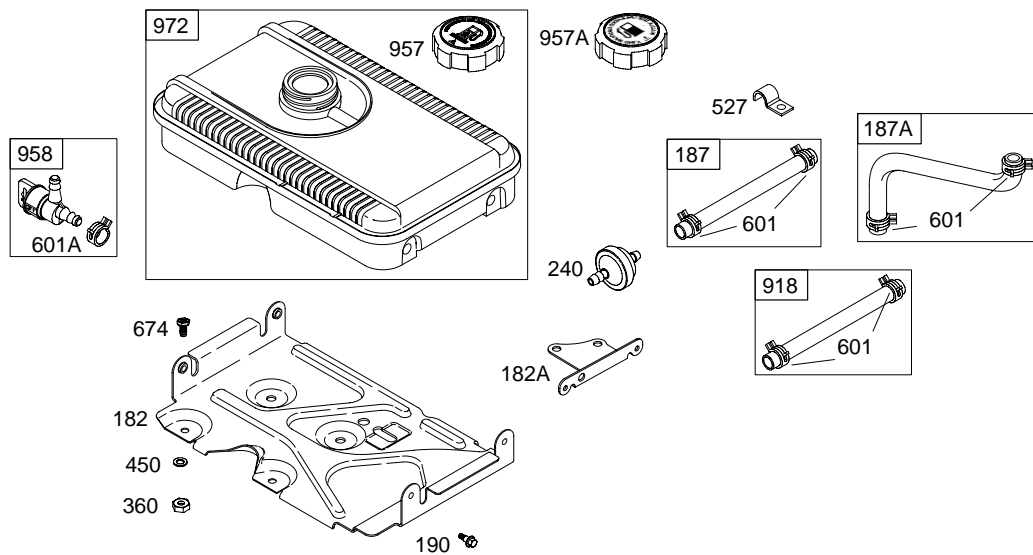
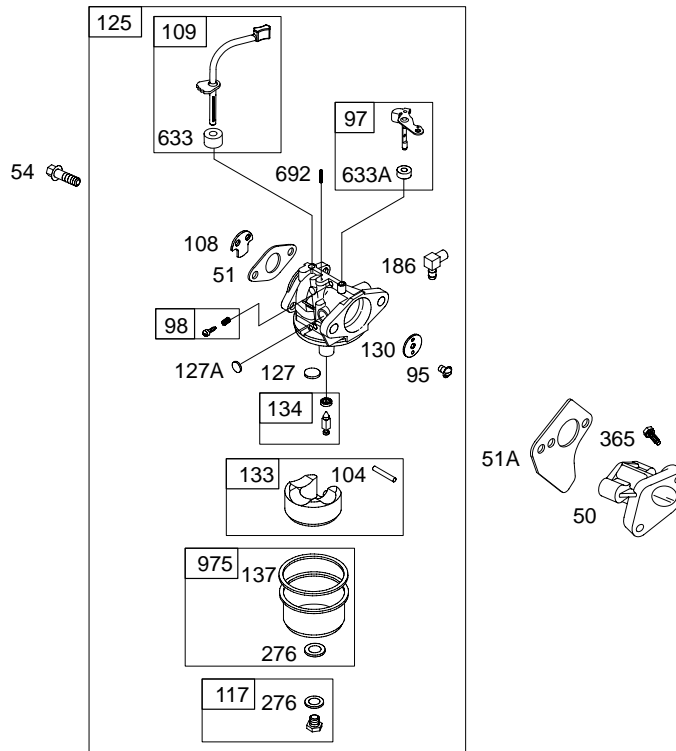
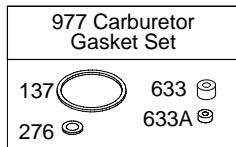
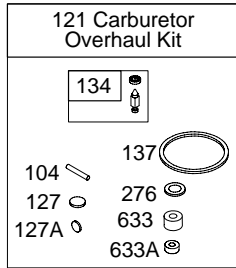
1019 LABEL KIT

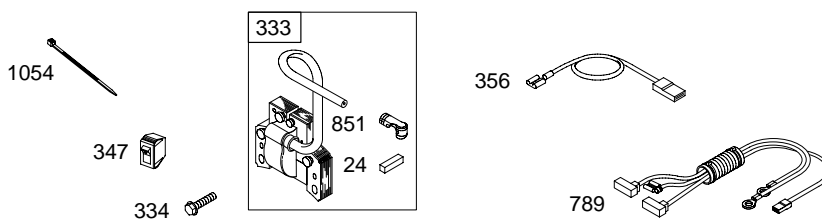
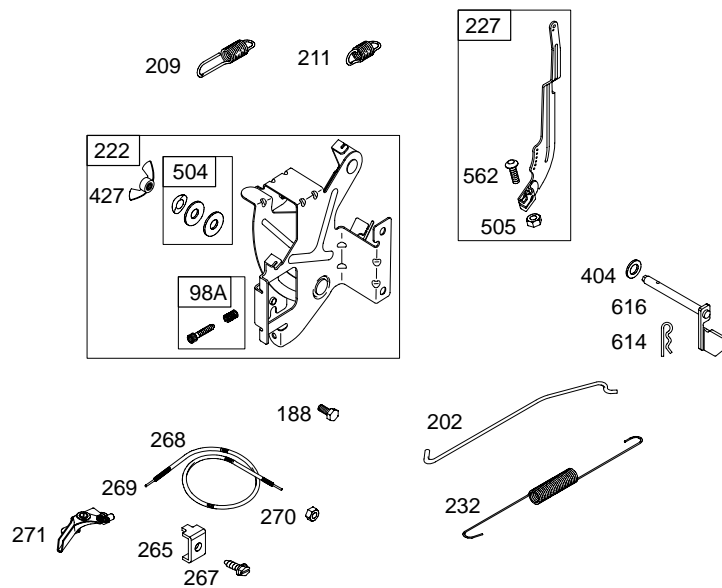
1058 OWNER'S MANUAL

1330 REPAIR MANUAL

*Illustrations cover a range of engines. Parts shown without corresponding text may not be used on your specific engine.*  
 2223-2 Assemblies include all parts shown in frames. 05/17/2004

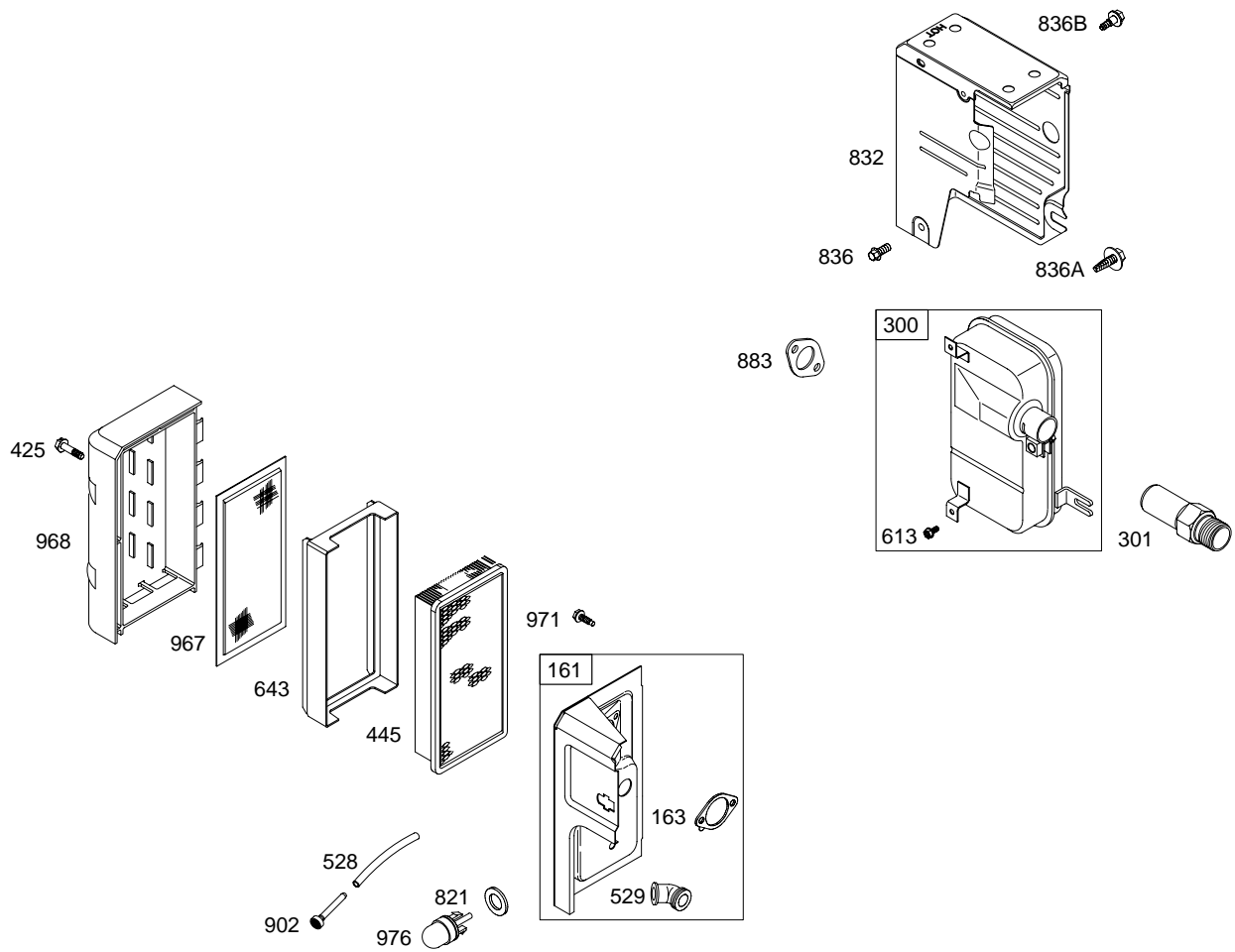




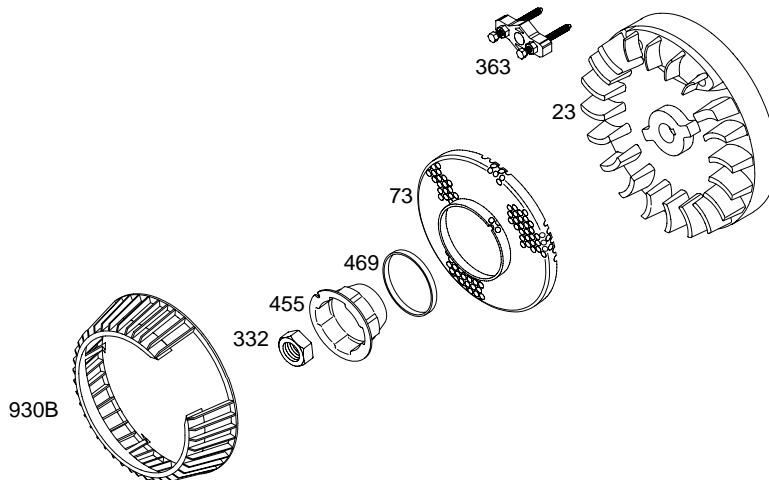
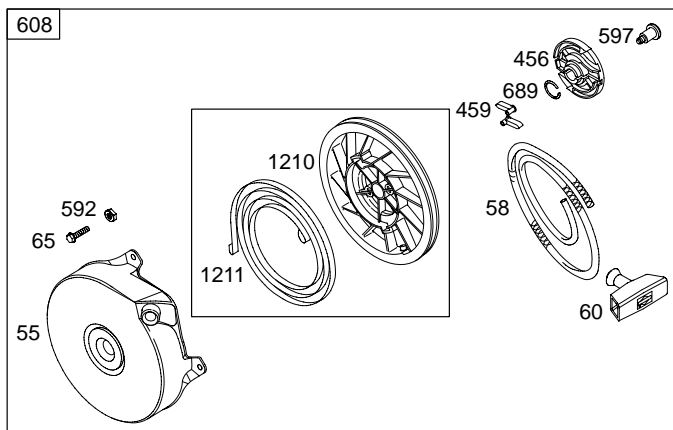
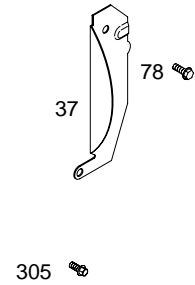
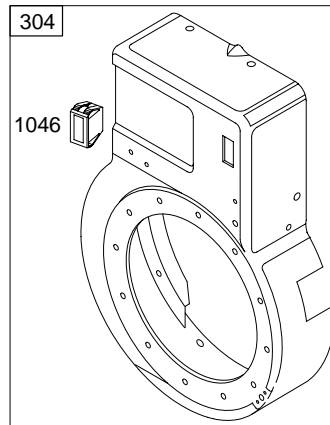


*Illustrations cover a range of engines. Parts shown without corresponding text may not be used on your specific engine.*

# 9K400



*Illustrations cover a range of engines. Parts shown without corresponding text may not be used on your specific engine.*  
2223-6 Assemblies include all parts shown in frames. 05/17/2004



# 9K400

REF. NO.	PART NO.	DESCRIPTION	REF. NO.	PART NO.	DESCRIPTION	REF. NO.	PART NO.	DESCRIPTION
1	695165	Cylinder Assembly (Used After Code Date 99103100). <b>Note</b> — 496864 Cylinder Assembly (Used Before Code Date 99110100).	17	690824	Bearing—Ball	26	695169	Ring Set (Standard) (Used After Code Date 99103100). <b>Note</b> — 498680 Ring Set (Standard) (Used Before Code Date 99110100).
2	399269	Kit—Bushing/Seal (Magneto Side)	18	497502	Cover—Crankcase			
3	*299819	Seal—Oil (Magneto Side)	20	692020	Seal—Oil (PTO Side)			
5	692636	Head—Cylinder	20A	*299819	Seal—Oil (PTO Side)			
7	*Ø692288	Gasket—Cylinder Head	21	281658	Cap—Oil Fill			
8	495774	Breather Assembly	22	691129	Screw (Crankcase Cover/Sump) (Used After Code Date 98042100). <b>Note</b> — 691662 Screw (Crankcase Cover/Sump) (Used Before Code Date 98042200). 695733 Screw (Crankcase Cover/Sump) (Used In Position Number 1 & 6) Used On Type No(s). 0022, 0023. 691128 Screw (Crankcase Cover/Sump) (Used Only In Position Number 1) (Used After Code Date 98042100). Used On Type No(s). 0117.			
9	*Ø27549	Gasket—Breather						695171 Ring Set (.010" Oversize) (Used After Code Date 99103100) 498681 Ring Set (.010" Oversize) (Used Before Code Date 99110100).
10	691666	Screw (Breather Assembly)						
11A	691246	Tube—Breather						
12	*692218	Gasket—Crankcase (.015" Thick, Standard) <b>Note</b> — *270895 Gasket—Crankcase (.005" Thick) *270896 Gasket—Crankcase (.009" Thick)						695172 Ring Set (.020" Oversize) (Used After Code Date 99103100). 498682 Ring Set (.020" Oversize) (Used Before Code Date 99110100). 695173 Ring Set (.030" Oversize) (Used After Code Date 99103100). 498683 Ring Set (.030" Oversize) (Used Before Code Date 99110100).
13	691640	Screw (Cylinder Head)	23	690843	Flywheel			
14	690361	Stud (Cylinder Head) (Used in Number 6 and 8 Positions)	24	222698	Key—Flywheel	27	691588	Lock—Piston Pin
15	691686	Plug—Oil Drain	25	498668	Piston Assembly (Standard) <b>Note</b> — 498669 Piston Assembly (.010" Oversize) 498670 Piston Assembly (.020" Oversize) 498671 Piston Assembly (.030" Oversize)	28	298909	Pin—Piston
16	690821	Crankshaft <b>Note</b> — 692145 Crankshaft Used On Type No(s). 0118, 0117. 492095 Crankshaft Used On Type No(s). 0022. 399006 Crankshaft Used on Type No(s). 0023.				29	294367	Rod—Connecting
						30	691719	Dipper—Connecting Rod
						32	691664	Screw (Connecting Rod)
						33	497871	Valve—Exhaust
						34	296677	Valve—Intake
						35	690520	Spring—Valve (Intake)
						36	690520	Spring—Valve (Exhaust)

\* Included in Engine Gasket Set—Ref. No.358.

● Included in Carburetor Overhaul Kit—Ref. No. 121.

◆ Included in Carburetor Gasket Set—Ref. No. 977.

Ø Included in Valve Gasket Set—Ref. No 1095.

**Illustrations cover a range of engines. Parts shown without corresponding text may not be used on your specific engine.**

2223-8

Assemblies include all parts shown in frames.

05/17/2004



REF. NO.	PART NO.	DESCRIPTION	REF. NO.	PART NO.	DESCRIPTION	REF. NO.	PART NO.	DESCRIPTION
37	690463	Guard–Flywheel	182A	692658	Bracket–Fuel Tank	287	695733	Screw
40	692194	Retainer–Valve	186	692317	Connector–Hose			(Dipstick Tube)
45	691762	Tappet–Valve	187	691050	Line–Fuel			(Used After Code Date
46	691998	Camshaft	187A	495218	Line–Fuel			03092600).
50	691922	Manifold–Intake			(Molded)			————— <b>Note</b> —————
51	★∅692283	Gasket–Intake	188	691637	Screw			<b>691693</b> Screw
51A	★273113	Gasket–Intake			(Control Bracket)			(Dipstick Tube)
54	691689	Screw	190	692199	Screw			(Used Before Code
		(Intake Manifold)			(Fuel Tank)			Date 03092700).
55	692144	Housing–Rewind	202	692351	Link–Mechanical	300	692365	Muffler
		Starter			Governor	301	690526	Pipe–Exhaust
58	280399	Rope–Starter	209	691857	Spring–Governor	304	692622	Housing–Blower
		(Cut to Required			(Silver)	305	692198	Screw
		Length)			————— <b>Note</b> —————			(Blower Housing)
60	691915	Grip–Starter Rope			<b>691858</b> Spring–	306	690461	Shield–Cylinder
65	690837	Screw			Governor	307	691660	Screw
		(Rewind Starter)			(Yellow)			(Cylinder Shield)
73	694018	Screen–Rotating			Used On Type No(s).			(Used After Code Date
78	690364	Screw			0023, 0117, 0118.			98042100).
		(Flywheel Guard)	211	691849	Spring–Governed Idle			————— <b>Note</b> —————
95	691636	Screw	219	496786	Gear–Governor			<b>691627</b> Screw
		(Throttle Valve)	220	691724	Washer			(Cylinder Shield)
97	496861	Shaft–Throttle			(Governor Gear)			(Used Before Code
98	398185	Kit–Idle Speed	222	691411	Bracket–Control			Date 98042200).
98A	493280	Kit–Idle Speed	227	691412	Lever–Governor	308	690462	Cover–Cylinder
					Control	332	690662	Nut
104	●691242	Pin–Float Hinge	232	691846	Spring–Governor Link			(Flywheel)
108	692567	Valve–Choke	240	298090	Filter–Fuel	333	496914	Armature–Magneto
109	496860	Shaft–Choke	265	691024	Clamp–Casing	334	691061	Screw
117	692643	Jet–Main	267	690804	Screw			(Magneto Armature)
		(Standard)			(Casing Clamp)	337	496018	Plug–Spark
121	498260	Kit–Carburetor	268	691072	Casing–Control Wire	347	691396	Switch–Rocker
		Overhaul			(Cut to Required			————— <b>Note</b> —————
125	692644	Carburetor			Length)			<b>691995</b> Switch–Rocker
127	●691739	Plug–Welch	269	691589	Wire–Control			Used On Type No(s).
127A	●694468	Plug–Welch			(Cut to Required			0117.
130	691181	Valve–Throttle			Length)	356	693010	Wire–Stop
133	398187	Float–Carburetor	270	691027	Nut			(Armature to Switch)
134	●398188	Kit–Needle/Seat			(Control Wire Casing)	358	496865	Gasket Set–Engine
137	●◆693981	Gasket–Float Bowl	271	691028	Lever–Control	360	691105	Nut
146	499047	Key–Timing	276	◆◆271716	Washer–Sealing			(Fuel Tank Bracket)
161	692657	Base–Air Cleaner			(Float Bowl)	363	19069	Flywheel Puller
163	★∅272948	Gasket–Air Cleaner				365	691688	Screw
182	690485	Bracket–Fuel Tank						(Carburetor)

★ Included in Engine Gasket Set–Ref. No.358.

● Included in Carburetor Overhaul Kit–Ref. No. 121.

◆ Included in Carburetor Gasket Set–Ref. No. 977.

∅ Included in Valve Gasket Set–Ref. No 1095.

*Illustrations cover a range of engines. Parts shown without corresponding text may not be used on your specific engine.*

# 9K400

REF. NO.	PART NO.	DESCRIPTION	REF. NO.	PART NO.	DESCRIPTION	REF. NO.	PART NO.	DESCRIPTION
383	89838	Wrench–Spark Plug	601	95162	Clamp–Hose (Green)	851	493880	Terminal–Spark Plug
404	691691	Washer (Governor Crank)	601A	691038	Clamp–Hose (Black)	869	691701	Seat–Valve (Intake)
415	691363	Plug (For High Oil Fill)	608	690101	Starter–Rewind	870	691702	Seat–Valve (Exhaust)
425	690670	Screw (Air Cleaner Cover)	613	690810	Screw (Muffler)	871	262001	Bushing–Valve Guide
427	690355	Nut (Control Bracket)	614	691620	Pin–Cotter	883	★∅691880	Gasket–Exhaust
441	690484	Bracket–Oil Fill	616	692016	Crank–Governor	902	692741	Filter–Primer
445	494511	Filter–Air Cleaner Cartridge	633	◆693867	Seal–Choke/ Throttle Shaft (Choke)	918	393815	Hose–Vacuum
450	692635	Washer (Fuel Tank Bracket)	633A	◆691321	Seal–Choke/ Throttle Shaft (Throttle)	930B	691348	Guard–Rewind
455	691236	Cup–Flywheel (Rewind Starter)	635	66538	Boot–Sparkplug	957	692665	Cap–Fuel Tank (For Kerosene Fuel Tank)
456	692299	Plate–Pawl Friction	643	691908	Retainer–Air Filter	957A	692662	Cap–Fuel Tank (For Auxilliary Petrol Fuel Tank)
459	281505	Pawl–Ratchet	674	691108	Screw (Fuel Tank Bracket)	958	698181	Valve–Fuel Shut Off
469	694420	Ring–Rotating Trim	689	691855	Spring–Friction	967	492889	Filter–Pre Cleaner
504	495659	Washer Set–Friction	692	690572	Spring–Detent	968	691327	Cover–Air Cleaner
505	691251	Nut (Governor Control Lever)	718	690959	Pin–Locating (Cylinder)	971	690370	Screw (Air Cleaner Base)
523	691395	Dipstick	741	691805	Gear–Timing	972	692664	Tank–Fuel (Kerosene Fuel Tank)
524	★692296	Seal–Dipstick Tube	789	693397	Harness–Wiring	975	493640	Bowl–Float
525	694531	Tube–Dipstick	821	692661	Washer (Carburetor Primer)	976	692666	Primer–Carburetor
527	690423	Clamp–Tube Used On Type No(s). 0023, 0117.	832	692368	Guard–Muffler	977	498261	Gasket Set–Carburetor
528	692792	Hose–Primer (Cut to Required Length)	836	691693	Screw (Muffler Guard)	1019	692731	Kit–Label
529	692187	Grommet	836A	691685	Screw (Muffler Guard)	1046	691337	Plug–Blower Housing
552	690508	Bushing–Governor Crank	836B	692199	Screw (Muffler Guard)	1054	280275	Tie–Cable
562	92613	Bolt (Governor Control Lever)	842	★691870	Seal–O Ring (Dipstick Tube)	1058	MS2346	Operator’s Manual
592	690800	Nut (Rewind Starter)	847	690848	Dipstick/Tube Assembly	1095	498525	Gasket Set–Valve
597	691696	Screw (Pawl Friction Plate)				1194	★691876	Seal–O Ring (Plug)
						1210	499901	Pulley/Spring Assembly (Pulley)
						1211	499901	Pulley/Spring Assembly (Spring)
						1330	270962	Repair Manual

★ Included in Engine Gasket Set–Ref. No.358.

● Included in Carburetor Overhaul Kit–Ref. No. 121.

◆ Included in Carburetor Gasket Set–Ref. No. 977.

∅ Included in Valve Gasket Set–Ref. No.1095.

*Illustrations cover a range of engines. Parts shown without corresponding text may not be used on your specific engine.*