

**BE2011**

# Illustrated Parts List

## Model Series

# BE 2011

TYPE NUMBERS  
0101, 0110, 0112.

**TO FIND**  
**THE CORRECT NUMBER OF THE PART YOU NEED:**  
**FOLLOW THE INSTRUCTIONS BELOW**

- A. Refer to Mower Model, Type and Code Number that is stamped on the metal tag behind the left wheel. Engine type numbers such as 0123 01 are listed only as 0123 in most instances. The two digits (01 or 02, etc.) to the right of the space may be required for more accurate parts identification in some instances. Select the Illustrated Parts List covering the correct Model Series and Type Number.
- B. Refer to the Illustrations and compare the original part with Illustration. The number next to the illustration is the Reference Number. Assemblies include all parts shown in frames. All parts shown in assembly frames having individual reference numbers can be purchased separately.
- C. After the Reference Number has been identified, refer to the Numerical text, where Reference and Primary Part Number are listed. **THE PRIMARY PART IS USED ON ALL TYPE NUMBERS EXCEPT THOSE TYPE NUMBERS UNDER "NOTE."**
- D. If a "Note" appears below the Primary Part Number, it means that this part differs from the Primary Part for certain types. If your Type number is listed under "Note," order the part referred to at the "Note."
- E. If your Mower Type Number does not appear after any part number listed under "Note," use the Primary Part Number.
- F. For Mower Type Numbers not covered by this book, check other Parts Lists having the same engine model or contact your source of supply.

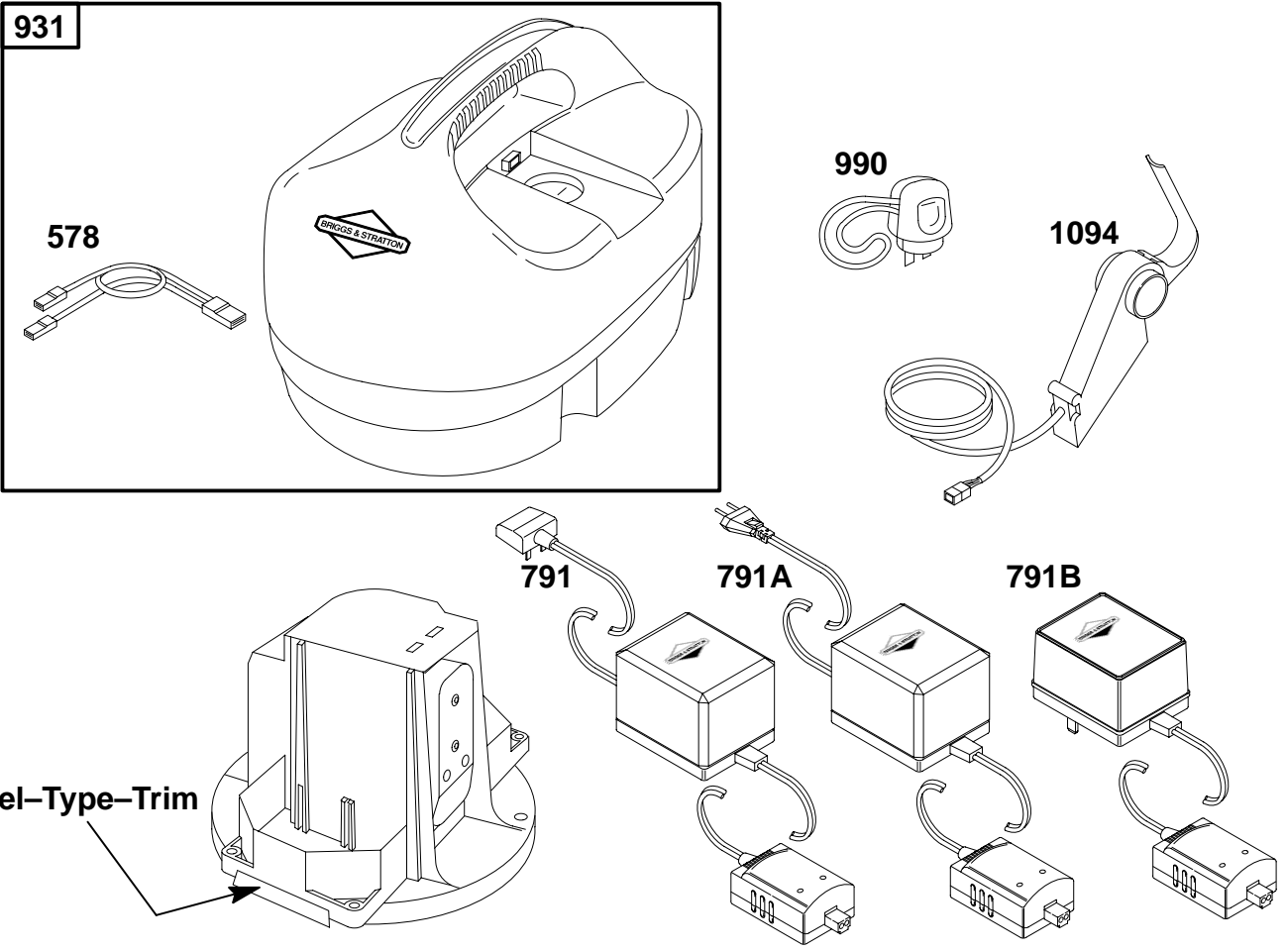
PRINTED IN U.S.A.



COPYRIGHT by BRIGGS & STRATTON CORPORATION  
All rights reserved. No part of this material may be reproduced or transmitted, in any form or by any means, electronic or mechanical, including photocopying, recording or by any information storage and retrieval system, without permission in writing from Briggs & Stratton Corporation.

# BE2011

1098



REF. NO.	PART NO.	DESCRIPTION	REF. NO.	PART NO.	DESCRIPTION	REF. NO.	PART NO.	DESCRIPTION
578	692964	Wire Assembly (Battery Charger)	791B	692962	Battery Charger (110 Volt)	1098		Power Head To Replace, Order the Model-Type-Trim Number located on the Power Head. (See Illustration)
791	498554	Battery Charger (240 Volt)	931	498638	Battery			
791A	692965	Battery Charger (220 Volt)	990	498166	Key Set			
			1094	498303	Control-Motor			