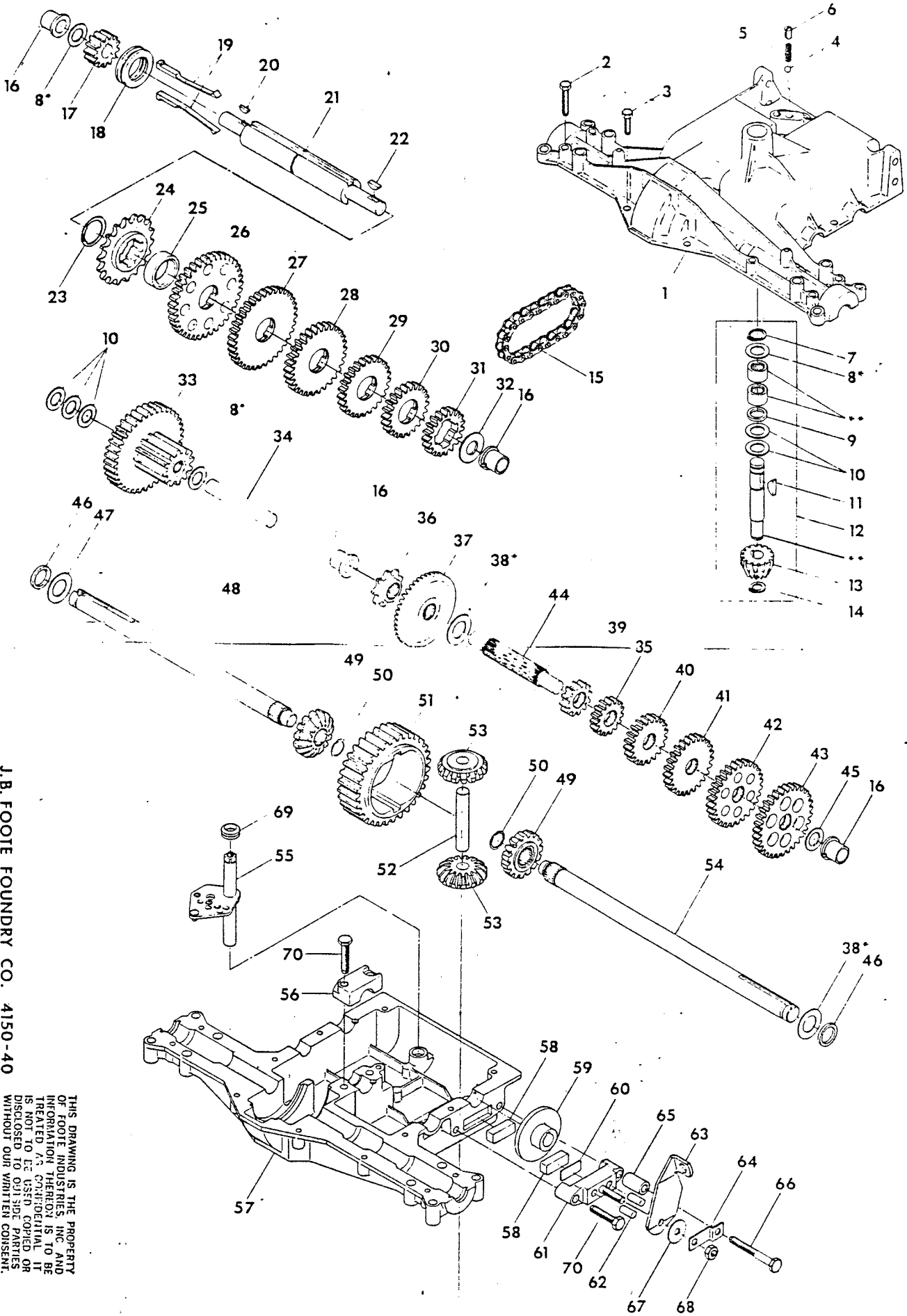


4150-40



J. B. FOOTE FOUNDRY CO. 4150-40
ROPER OUTDOOR PRODUCTS

THIS DRAWING IS THE PROPERTY OF FOOTE INDUSTRIES, INC. AND INFORMATION THEREON IS TO BE TREATED AS CONFIDENTIAL. IT IS NOT TO BE USED, COPIED OR DISCLOSED TO OUTSIDE PARTIES WITHOUT OUR WRITTEN CONSENT.

DANA CORPORATIONSERVICE PARTS REPLACEMENT LISTINGMODEL NO.: 4150-40DATE: 2-5-87DESCRIPTION: SIX SPEED LINEAR SHIFT TRANSAXLECUSTOMER & PART NO.: ROPER OUTDOOR POWER EQUIPMENT - #110066X

<u>KEY</u> <u>NO.</u>	<u>DANA</u> <u>PART NO.</u>	<u>ROPER</u> <u>PART NO.</u>	<u>NO.</u> <u>REQ'D.</u>	<u>DESCRIPTION</u>
1	3837	105903X	1	Housing, Upper
2	1360	2276J	6	Screw, Tapping, 1/4-20 X 1.31 Lg.
3	3396	121118X	9	Screw, Tapping, 1/4-20 X .875 Lg.
4	1151	68003	2	Ball, Detent
5	3626	105904X	2	Spring, Detent
6	3623	105905X	2	Screw, Set
7	1099	2267J	1	Ring, Retaining
8	1441	2233J	*	Washer, Plain, .632 X 1.00 X .020
8	1423	2232J	*	Washer, Plain, .632 X 1.00 X .026
8	1082	2231J	*	Washer, Plain, .632 X 1.00 X .031
8	1424	2230J	*	Washer, Plain, .632 X 1.00 X .036
8	1068	2229J	*	Washer, Plain, .632 X 1.00 X .041
8	1425	2228J	*	Washer, Plain, .632 X 1.00 X .046
8	1358	2227J	*	Washer, Plain, .632 X 1.00 X .050
8	1145	2226J	*	Washer, Plain, .632 X 1.00 X .060
8	1319	105906X	*	Washer, Plain, .632 X 1.00 X .082
9	3312	6725J	1	O-Ring
10	1425	2228J	5	Washer, Plain, .632 X 1.00 X .046
11	1374	2257J	1	Key, Woodruff, #9
12	2798	109218X	1	Ass'y., Kit, Input Shaft
13	3232	2287J	1	Pinion, Bevel, 16T.
14	1100	2286J	1	Ring, Retaining
15	3625	105910X	1	Chain, 24 Pitches
16	1542	105911X	4	Bearing, Flange
17	3829		1	Gear, Spur, 13T.
18	3631	105913X	1	Collar, Clutch
19	3828		2	Key, Clutch
20	3831		1	Key, Woodruff, #3, Special
21	3833		1	Shaft, Intermediate
22	1375	2244J	1	Key, Woodruff, #61
23	3627	105916X	1	Ring, Retaining
24	3830		1	Sprocket, 18T.
25	3841	110070X	1	Spacer
26	3786	108977X	1	Gear, Spur, 37T.
27	3785	109001X	1	Gear, Spur, 35T.
28	3784	108979X	1	Gear, Spur, 30T.
29	3783	108980X	1	Gear, Spur, 25T.
30	3782	108998X	1	Gear, Spur, 22T.
31	3741	108455X	1	Gear, Spur, 19T.

Model #4150-40

Page 2

<u>KEY</u> <u>NO.</u>	<u>DANA</u> <u>PART NO.</u>	<u>ROPER</u> <u>PART NO.</u>	<u>NO.</u> <u>REQ'D.</u>	<u>DESCRIPTION</u>
32	3628	105925X	1	Washer, Plain, .640 X 1.37 X .061
33	4262		1	Ass'y., Gear, Comb., 12T. & 37T.
34	3658	105927X	1	Shaft, Idler
35	3707	106151X	1	Gear, Spur, 15T.
36	3645	105928X	1	Sprocket, 9T.
37	3835		1	Gear, Bevel, 42T.
38	3749	108983X	*	Washer, Plain, .758 X 1.12 X .010
38	3652	105930X	*	Washer, Plain, .758 X 1.12 X .015
38	3693	105931X	*	Washer, Plain, .758 X 1.12 X .020
38	3653	105932X	*	Washer, Plain, .758 X 1.12 X .025
38	3408	3417J	*	Washer, Plain, .758 X 1.25 X .020
38	3732	106097X	*	Washer, Plain, .758 X 1.25 X .025
38	3184	2264J	*	Washer, Plain, .758 X 1.25 X .031
38	3733	106098X	*	Washer, Plain, .758 X 1.25 X .035
38	3198	2265J	*	Washer, Plain, .758 X 1.25 X .040
38	3734	106586X	*	Washer, Plain, .758 X 1.25 X .045
38	3735	106587X	*	Washer, Plain, .758 X 1.25 X .050
38	3736	106588X	*	Washer, Plain, .758 X 1.25 X .055
38	3180	2263J	*	Washer, Plain, .758 X 1.25 X .062
39	3646	105933X	1	Gear, Spur, 12T.
40	3637	105934X	1	Gear, Spur, 20T.
41	3719	106589X	1	Gear, Spur, 25T.
42	3648	106130X	1	Gear, Spur, 28T.
43	3683	105937X	1	Gear, Spur, 31T.
44	3826		1	Shaft, Drive
45	1145	2226J	1	Washer, Plain, .632 X 1.00 X .060
46	3191	2272J	2	Seal, Felt
47	3184	2264J	1	Washer, Plain, .758 X 1.25 X .031
48	3846	110080X	1	Axle, L.H.
49	3780	110081X	2	Gear, Miter, 15T.
50	3656	105941X	2	Ring, Retaining
51	3839	110071X	1	Gear, Spur, 32T.
52	3840	110072X	1	Shaft, Cross
53	3781	110082X	2	Gear, Miter, 15T.
54	3845	110083X	1	Axle, R.H.
55	4265		1	Ass'y., Shifter
56	3775	108987X	1	Cap, Support
57	3836		1	Housing, Lower
58	3757	108988X	2	Puck, Friction
59	3276	7294J	1	Disc, Brake
60	3758	108989X	1	Spacer
61	4280	110477X	1	Ass'y., Jaw, Brake
62	3754	108991X	2	Pin, Dowel
63	3768	108992X	1	Lever, Actuating
64	3842	110074X	1	Bracket, Anti-Rotation
65	3752	108994X	1	Spacer, .323 X .563 X 1.00 Lg.
66	3771	108995X	1	Screw, Tapping, 5/16-18 X 2.50 Lg.
67	3760	108996X	1	Washer, Plain, .321 X 1.00 X .055

Model #4150-40
Page 3

<u>KEY NO.</u>	<u>DANA PART NO.</u>	<u>ROPER PART NO.</u>	<u>NO. REQ'D.</u>	<u>DESCRIPTION</u>
68	3847	73810500	1	Nut, Lock, 5/16-24
69	3789	108727X	1	V-Ring
70	3724	106596X	3	Screw, Tapping, 5/16-18 X 1.44 Lg.
71	4300	120416X	1	Grease

* Use in various combinations to maintain proper clearances.

** Order Key No. 12.

Post-it® Fax Note 7671		Date 2-5-03	# of pages 4
To ROBIN	From RALPH		
Co./Dept.	Co. DANA		
Phone #	Phone #		
Fax #	Fax #		