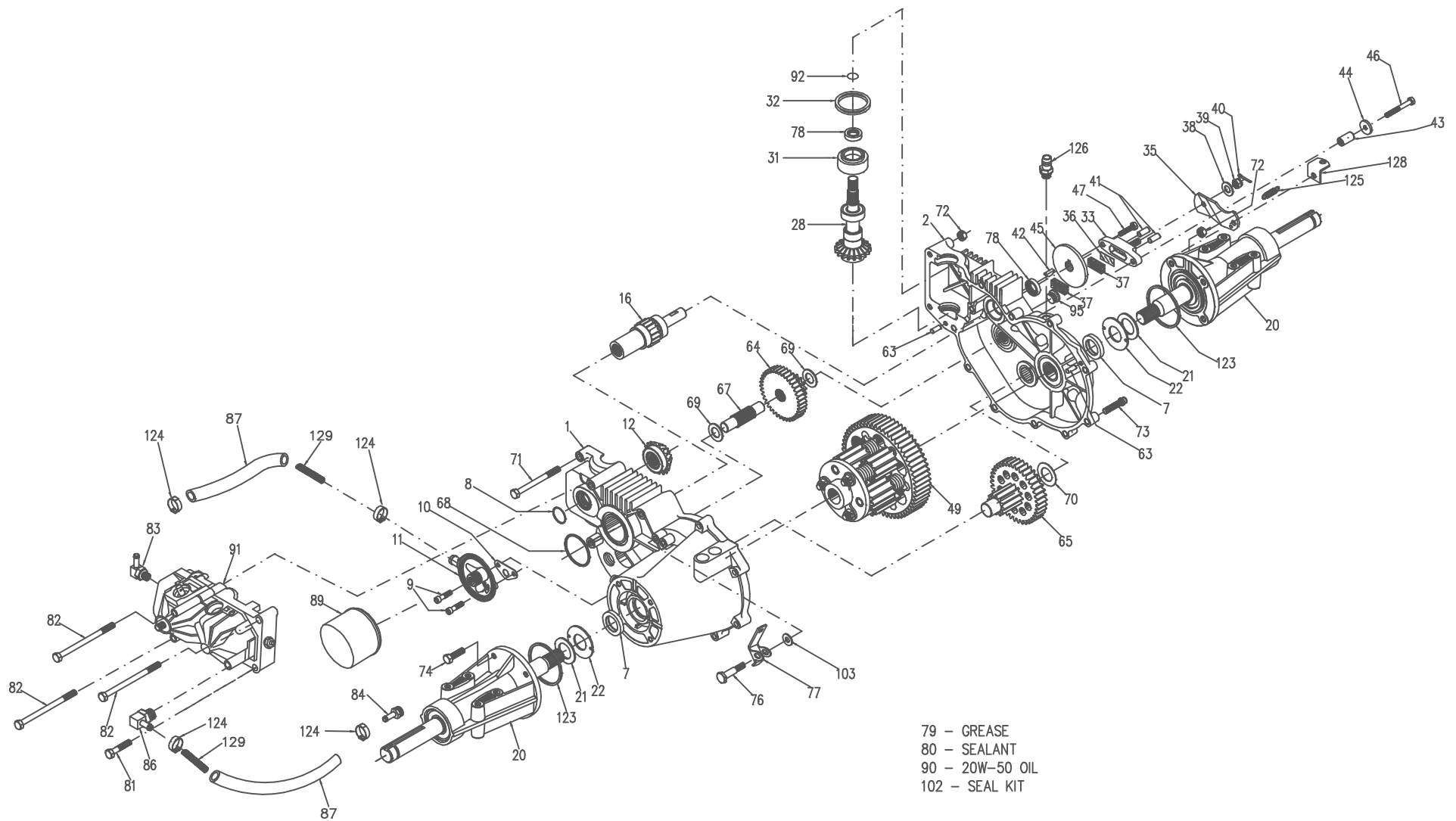


1718536
221-3010L



P.1 of 2. 70345-S2

1718536
221-3010L

| ITEM NO. | HYDRO-GEAR PART NO. | QTY | DESCRIPTION | ITEM NO. | HYDRO-GEAR PART NO. | QTY | DESCRIPTION |
|----------|---------------------|-----|---------------------------------------|----------|---------------------|--------|----------------------------------|
| 1 | 70363 | 1 | ASSEMBLY, L H HOUSING | 37 | 44132 | 2 | PUCK, BRAKE |
| | | 1 | L H HOUSING | 38 | 44130 | 1 | WASHER, 7/8OD X 7/16 X .060 HT |
| | | 1 | DISC, THRUST 1-1/8 OD | 39 | 44142 | 1 | NUT, SLOTTED HEX |
| | | 1 | BEARING, NEEDLE SCE1412 | 40 | 44101 | 1 | PIN, COTTER |
| | | 1 | BEARING, BALL 25MM X 52MM | 41 | 44127 | 2 | PIN, BRAKE ACTUATING |
| | | 1 | BEARING, NEEDLE - SCH 1012 | 42 | 44143 | 1 | KEY, HI-PRO 3/16 X 5/8 |
| | | 1 | SEAL, OIL .984 X 1.5 X .25 | 43 | 23711 | 1 | SPACER |
| | | 2 | CAP SCREW, 1/4-20 X 1.0 | 45 | 44090 | 1 | DISC, BRAKE |
| | | 1 | GASKET, FILTER BASE | 46 | 44300 | 1 | BOLT, 1/4-20 X 2 |
| | | 1 | BASE, OIL FILTER | 47 | 44433 | 1 | BOLT, 1/4-20 X 1 W/NYLOK GR5 |
| 2 | 70364 | 1 | ASSEMBLY, R H HOUSING | 49 | 70244 | 1 | DIFFERENTIAL ASSEMBLY |
| | | 1 | HOUSING, R H TRANSAXLE | | | 2 | GEAR, 12T DIFFERENTIAL |
| | | 1 | BOLT, RIB NECK 5/16-18 | | | 6 | GEAR, 10T PLANET DIFFERENTIAL |
| | | 1 | WASHER, RUBBER 5/8 OD X .313 ID X .04 | | | 6 | SPRING, HELICAL COMPRESSION |
| | | 1 | BEARING, NEEDLE SCE1412 | | | 3 | SPACER, SHAFT |
| | | 1 | BEARING, BALL 25MM X 52MM | | | 1 | DIFFERENTIAL END CAP |
| | | 1 | BEARING, NEEDLE - SCH 1012 | | | 3 | BOLT, 3/8-24 X 4.5 GD8 |
| | | 1 | SEAL, OIL .984 X 1.5 X .25 | | | 3 | NUT, HEX LOCK 3/8-24 GD8 |
| 7 | 44782 | 2 | OIL SEAL, .984 X 1.5 X .25 | | | 3 | SHAFT, DIFFERENTIAL |
| 8 | 50070 | 1 | QUAD RING | | | 1 | GEAR, 60T DIFFERENTIAL |
| 10 | 44920 | 1 | GASKET, FILTER BASE | | | 1 | SPRING, HELICAL COMPRESSION |
| 11 | 70210 | 2 | ASSY, FILTER BASE | 63 | 44757 | 2 | PIN, DOWEL |
| | | 1 | CAP SCREW, 1/4-20 X 1 | 64 | 44776 | 1 | GEAR, REDUCTION 14T-38T |
| | | 1 | GASKET, FILTER BASE | 65 | 70051 | 1 | FINAL DRIVE PINION ASSEMBLY |
| | | 1 | BASE, OIL FILTER | | | 1 | GEAR 38T |
| 12 | 62876 | 1 | PINION ASSEMBLY | | | 1 | GEAR 12T |
| | | 1 | BEARING BALL, 25MM X 42MM X 9MM | 67 | 44779 | 1 | SHAFT, JACK |
| | | 1 | PINION, 18T DRIVEN | 68 | 44781 | 1 | O-RING |
| 16 | 62877 | 1 | BRAKE SHAFT ASSEMBLY | 69 | 44795 | 2 | WASHER, FL 5/8ID X 1-1/4 X .05 |
| | | 1 | SHAFT, BRAKE | 70 | 44794 | 1 | WASHER, FL 7/8ID X 1-1/2OD HT |
| | | 2 | BEARING, BALL .62 X 1.38 X .43 | 71 | 44827 | 2 | BOLT, HEX HD 5/16-18 X 3-1/2 |
| | | 1 | GEAR, 17T | 72 | 43083 | 4 | HEX NUT 5/16-18 |
| | | 1 | COUPLING | 73 | 50868 | 11 | TORX HEAD SCREW, 5/16-18 |
| 20 | 70216 | 2 | AXLE MOUNTING HORN ASSEMBLY | 74 | 45089 | 7 | CAP SCREW, HEX 5/16-18 X 1 GR5 |
| | | 1 | AXLE MOUNTING HORN | 76 | 44785 | 1 | BOLT, SHOULDER |
| | | 1 | BEARING, 25MM ID (W/ SEALS) | 77 | 44786 | 1 | ARM, FREEWHEEL ACTUATING |
| | | 1 | WASHER, 1.0 X 1.63 X .08 HT | 78 | 44761 | 2 | SEAL, OIL .625 X 1.0 X .25 |
| | | 1 | WASHER, 1.0 X 2.06 X .09 HT | 79 | 50416 | 1 | GREASE (10 OZ. TUBE) |
| | | 1 | SHAFT, AXLE | 80 | 50928 | 1 | SEALANT |
| | | 1 | RING, RETAINING | 81 | 43084 | 1 | BOLT, HEX 5/16-18 X 1-3/4 GR 5 |
| 21 | 44805 | 2 | WASHER, 1.0 X 1.63 X .08 HT | 82 | 44820 | 3 | BOLT, 5/16-18 X 4-1/2 GR 5 |
| 22 | 44806 | 2 | WASHER, 1.0 X 2.06 X .09 HT | 83 | 50589 | 2 | 1/2" BEADED 90° 9/16 SAE FITTING |
| 28 | 70054 | 1 | ASSY, INPUT | 84 | 50591 | 1 | 1/2" BEADED 9/16 SAE STRAIGHT |
| | | 1 | BEARING, BALL .62 X 1.38 X .43 | 86 | 50592 | 1 | 1/2" BEADED 90° 7/8 SAE FITTING |
| | | 1 | BEARING, BALL 15MM X 35MM X 11MM | 87 | 50594 | 2 | 1/2" PUSH-ON HOSE, 8-3/4" LONG |
| | | 1 | PINION, INPUT 18T | 89 | 50596 | 1 | SPIN-ON FILTER, BYPASS |
| | | 1 | SHAFT, INPUT | 90 | | 99.8oz | 20W-50 OIL |
| | | 2 | BUSHING, THRUST | 91 | BDU-10L-258 | 1 | BDU-10L-258 |
| | | 1 | RETAINING RING | 92 | 2003016 | 1 | RING, WIRE RETAINING |
| | | 1 | WIRE RETAINING RING | 95 | 9005110-5600 | 1 | PLUG, STRAIGHT THREAD |
| 31 | 50925 | 1 | BEARING, RETAINER | 102 | 70052 | 1 | SEAL KIT |
| 32 | 50945 | 1 | QUAD RING | 103 | 50169 | 1 | WASHER |
| 33 | 62589 | 1 | BRAKE YOKE ASSEMBLY | 123 | 50405 | 2 | O RING |
| | | 1 | YOKE, BRAKE | 124 | 50590 | 4 | PINCH CLAMP |
| | | 1 | BOLT, SQ HD 5/16-24 | 125 | 50384 | 1 | EXTENSION SPRING |
| 35 | 50130 | 1 | ARM, BRAKE | 126 | 70110 | 1 | FITTING-ORING ASSEMBLY |
| 36 | 44134 | 1 | PLATE, PUCK | 128 | 50622 | 1 | BRACKET, BRAKE RETURN SPRING |
| | | | | 129 | 50666 | 2 | SPRING, SHORT |



P.2 of 2. 70345-S2