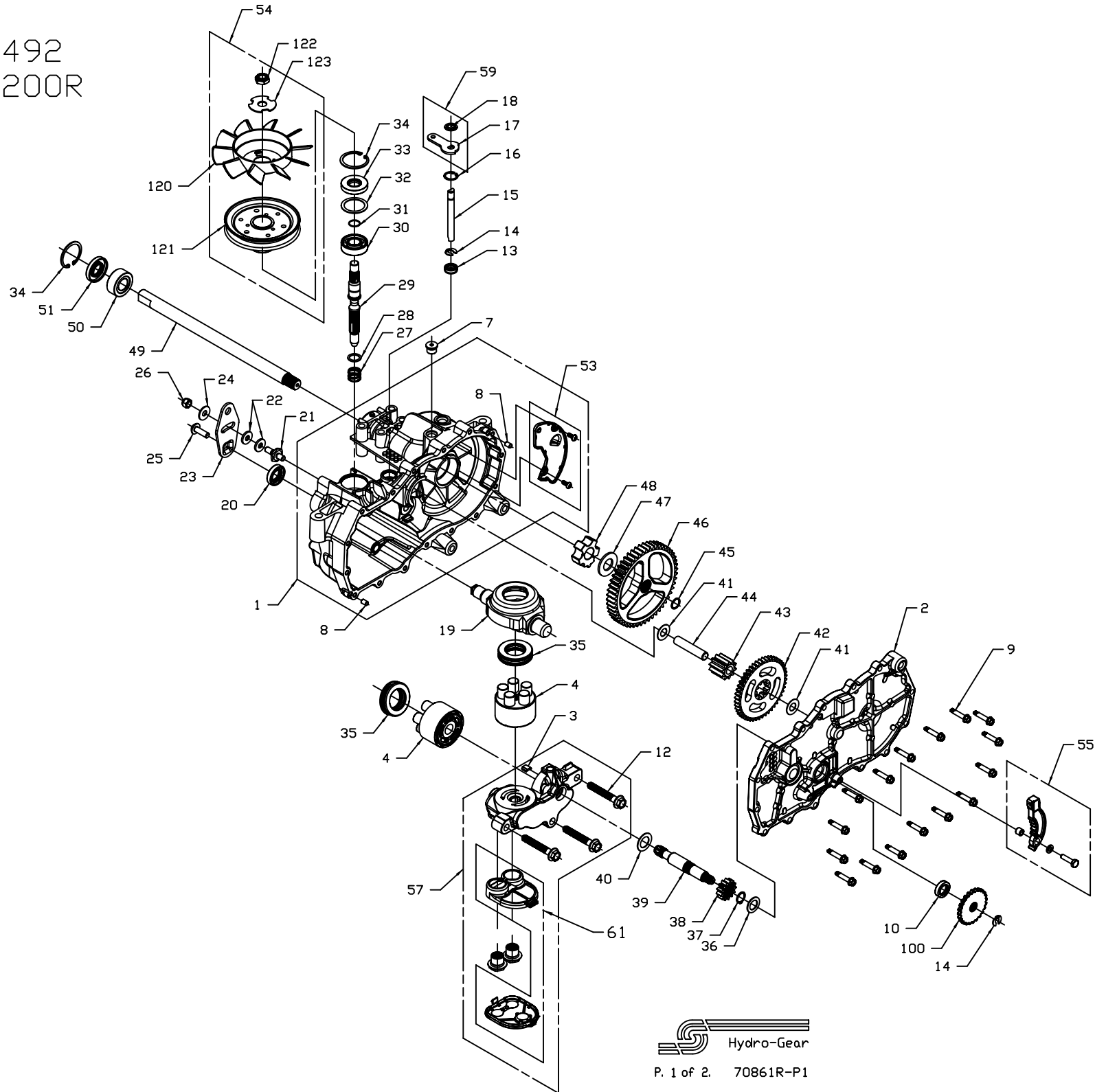


105-3492
311-2200R



105-3492
311-2200R

| ITEM | PART # | QTY | DESCRIPTION |
|------|--------------|--------|---|
| 1 | 70862R | 1 | ASSEMBLY, MAIN HOUSING-RH HOUSING, MAIN RH-MACHINED BUSHING, .865 X .985 X .790 PLATE, EXPANSION RH SCREW, 10-32 X 1/2 (SELF-TAPPING) PIN, STANDARD, HEADLESS SEALANT TUBE, 10.3 oz SEAL, LIP .375 X .75 X .25 |
| 2 | 70863R | 1 | ASSEMBLY, SIDE-RH HOUSING, SIDE RH-MACHINED BUSHING, .624 X .719 X .562 BUSHING, .865 X .985 X .790 |
| 3 | 51448 | 1 | PLATE, BYPASS |
| 4 | 70331 | 2 | ASSEMBLY, BLOCK BLOCK, CYLINDER PISTON SPRING, COMPRESSION WASHER, THRUST |
| 7 | 9005110-5600 | 1 | PLUG, SAE #6 |
| 8 | 9004800-2506 | 2 | PIN, STAINLESS, HEADLESS |
| 9 | 51190 | 16 | HFHCS 1/4-20 X 1.25 (SELF-TAPPING) |
| 10 | 44761 | 1 | SEAL, LIP .625 X 1.000 X .250 |
| 11 | | 56 oz. | OIL, 20W-50 |
| 12 | 50016 | 3 | BOLT, HEX FLANGE 3/8-24 X 2.5 |
| 13 | 51626 | 1 | SEAL, LIP .375 X .75 X .25 |
| 14 | 51628 | 2 | RING, RETAINING .375 EXT |
| 15 | 51625 | 1 | ROD, BYPASS |
| 16 | 51627 | 1 | RING, RETAINING .750 INT |
| 17 | 51629 | 1 | ARM, BYPASS |
| 18 | 51630 | 1 | RING, RETAINING .375 EXT (PUSHNUT) |
| 19 | 51048 | 1 | SWASHPLATE, TRUNNION, MACHINED |
| 20 | 51140 | 1 | SEAL, LIP 18 X 32 X 7 |
| 21 | 50426 | 1 | STUD, SHORT 5/16-24 |
| 22 | 50281 | 2 | PUCK, FRICTION |
| 23 | 51631 | 1 | ARM, CONTROL |
| 24 | 44130 | 1 | WASHER, FLAT 11/32 ID X 7/8 OD X 1/16 |
| 25 | 51812 | 1 | TWHCS 5/16-24 X 1.0 |
| 26 | 50317 | 1 | NUT, HEX LOCK 5/16-24 UNJF |
| 27 | 2003014 | 1 | SPRING-HELICAL COMPRESSION |
| 28 | 2003017 | 1 | WASHER .591 X .787 X .040 |
| 29 | 51062 | 1 | SHAFT, INPUT |
| 30 | 50315 | 1 | BEARING, BALL 17MM ID X 40MM OD X 12MM |
| 31 | 2000022 | 1 | RING, RETAINING WIRE .561 ID |
| 32 | 50951 | 1 | SPACER |
| 33 | 51161 | 1 | SEAL, LIP 17 X 40 X 7 |
| 34 | 50329 | 2 | RING, RETAINING |
| 35 | 50551 | 2 | BEARING, THRUST 30 X 52 X 13 |
| 36 | 44371 | 1 | WASHER, FLAT 5/8 ID X 1.0 OD X .05 |
| 37 | 44145 | 1 | RING, RETAINING |
| 38 | 51130 | 1 | GEAR, PINION, 13T |
| 39 | 51632 | 1 | SHAFT, MOTOR |
| 40 | 51069 | 1 | WASHER, MOTOR SHAFT .71 ID X 1.16 OD X .04 |
| 41 | 50132 | 2 | WASHER, HT .5 ID X 1.0 OD X .032 |
| 42 | 51129 | 1 | GEAR, 10T/48T |
| 43 | 51043 | 1 | GEAR, 10T JACKSHAFT |
| 44 | 51083 | 1 | PIN, JACKSHAFT |
| 45 | 44871 | 1 | RING, SPIRAL RETAINING |
| 46 | 51633 | 1 | GEAR, 52T BULL |

| ITEM | PART # | QTY | DESCRIPTION |
|------|--------|-----|---|
| 47 | 44875 | 1 | WASHER, 3/4 ID X 1-1/2 OD X .13 |
| 48 | 51088 | 1 | BEARING, SLEEVE (INBOARD) |
| 49 | 51634 | 1 | AXLE, .75 X 13.11 OD |
| 50 | 51089 | 1 | BUSHING, .752 X 1.571 X .625 |
| 51 | 51066 | 1 | SEAL, LIP .750 X 1.577 X .250 |
| 52 | 70853 | 1 | KIT, SEAL SEAL, LIP .625 X 1.000 X .250 SEAL, LIP .375 X .75 X .25 SEAL, LIP 18 X 32 X 7 SEAL, LIP 17 X 40 X 7 SEAL, LIP .750 X 1.577 X .250 SEAL, LIP 1.00 X 1.577 SEAL, LIP .50 X .88 X .25 RING, RETAINING .375 EXT RING, RETAINING .750 INT RING, RETAINING .375 EXT RING, RETAINING 1.56 INT RING, RETAINING WIRE .561 RING, RETAINING .62 EXT RING, RETAINING, SPIRAL |
| 53 | 70868R | 1 | KIT, EXPANSION PLATE, RH PLATE, EXPANSION RH SCREW, 10-32 X 1/2 (SELF-TAPPING) |
| 54 | 70583 | 1 | KIT, FAN-PULLEY FAN, 6", 10 BLADE PULLEY, 4.5" NUT, HEX LOCK 1/2-20 (NYLON INSERT) WASHER, OD SLOTTED .53 X 1.63 X .06 |
| 55 | 70865 | 1 | KIT, BRAKE ARM ARM, PARKING BRAKE WASHER .28 X .50 X .063 BOLT, 1/4-20 X 1 W/PATCH BUSHING, .260 X .394 X .330 |
| 57 | 70864R | 1 | KIT, CENTER SECTION-FILTER RH CENTER SECTION, RH-MACHINED BUSHING, .707 X .788 X .591 PLATE, BYPASS BOLT, HEX FLANGE 3/8-24 X 2.5 FILTER, BASE CHECK PLUG ASSEMBLY .027, WASHER ASSEMBLY, COVER |
| 58 | 50928 | 1 | SEALANT TUBE, 10.3 oz |
| 59 | 70891 | 1 | KIT, BYPASS ARM ARM, BYPASS RING, RETAINING .375 EXT (PUSHNUT) |
| 61 | 70911 | 1 | KIT, FILTER FILTER, BASE ASSEMBLY, COVER |
| 100 | 51635 | 1 | DISC, CDG BRAKE |
| 120 | 51362 | 1 | FAN, 6", 10 BLADE |
| 121 | 51182 | 1 | PULLEY 4.5 |
| 122 | 51244 | 1 | HEX LOCK NUT, 1/2-20 (NYLON INSERT) |
| 123 | 51523 | 1 | WASHER, OD SLOTTED .53 X 1.63 X .06 |

