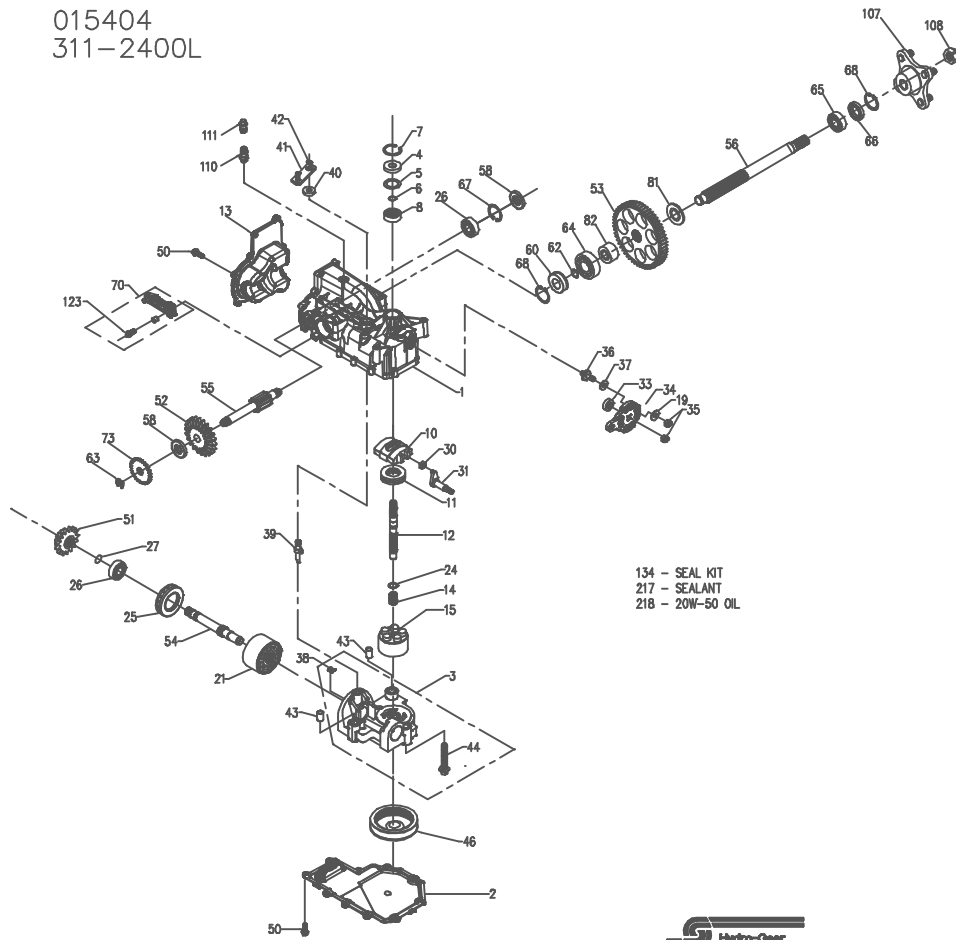


015404  
311-2400L



P.1 of 2. 70324L-P8

015404  
311-2400L

ITEM #	PART #	QTY	DESCRIPTION
1	70329	1	UPPER HOUSING ASSEMBLY
		1	UPPER HOUSING
		1	TRUNNION BUSHING
		2	CRADLE BEARING
2	50890RM	1	LOWER HOUSING
3	70679	1	KIT, CENTER SECTION
		1	CENTER SECTION
		1	BUSHING .67 X 1.03 X .75
		1	PLATE, BYPASS
		2	SCREW 3/8-24 X 2.5
		3	CHECK PLUG ASSEMBLY, .044
4	9008000-0128	1	LIP SEAL
5	2003018	1	SPACER
6	2003016	1	WIRE RETAINING RING
7	2003052	1	RETAINING RING
8	2003043	1	BALL BEARING
10	2003087	1	VARIABLE SWASHPLATE
11	50551	1	THRUST BEARING 30 X 52 X 13
12	50005	1	INPUT SHAFT
13	50891RM	1	COVER-BACK
14	2003014	1	SPRING, BLOCK
15	70331	1	10cc CYLINDER BLOCK ASS'Y
		1	10cc CYLINDER BLOCK
		5	10cc PISTON SPRING
		5	PISTON SEAT WASHER
		5	10cc PISTON
19	44130	1	WASHER
21	70082	1	21cc CYLINDER BLOCK ASS'Y
		1	21cc CYLINDER BLOCK
		7	21cc PISTON SPRING
		7	PISTON SEAT WASHER
		7	10cc PISTON
24	2003017	1	WASHER, BLOCK THRUST
25	50552	1	THRUST BEARING 42 X 68 X 16
26	50315	2	BALL BEARING
27	2000022	1	WIRE RETAINING RING
30	2000015	1	SLOT GUIDE
31	50807	1	TRUNNION ARM
33	9008000-0126	1	LIP SEAL
34	50749	1	CONTROL ARM
35	50317	2	NUT
36	50426	1	STUD - SHORT 5/16-24
37	50281	1	FRICION PUCK
38	70680	1	KIT, BYPASS PLATE
39	2003555	1	BYPASS ACTUATOR
40	45074	1	LIP SEAL
41	50270	1	BYPASS ARM
42	44870	1	RETAINING RING
43	50002	2	PIN
44	50016	3	SCREW
46	50990	1	FILTER
50	50752	18	SCREW, 1/4-20 X .75 LONG
51	50744	1	14T BEVEL GEAR

ITEM #	PART #	QTY	DESCRIPTION
52	50745	1	19T BEVEL GEAR
53	50746	1	53T SPUR GEAR
54	50757	1	MOTOR SHAFT
55	70393	1	BRAKE SHAFT KIT
		1	RETAINING RING 0.440 EXTERNAL
56	50748	1	AXLE SHAFT
58	50735	2	BRAKE SHAFT SEAL
60	50995	1	SEAL PLUG - SIDE
62	50759	1	RETAINING RING - AXLE
63	70396	1	RETAINING RING KIT
64	50743	1	BEARING-BALL 20X47X14(6204)
65	50740	1	BEARING-BALL 25X47X12(6005)
66	50751	1	SEAL
67	50329	1	RETAINING RING
68	50760	2	RETAINING RING-AXLE
70	70391	1	LH, BRAKE ARM SERVICE ASSEMBLY
		1	BRAKE ARM
		1	CLEVIS PIN
		1	BUSHING 0.255X0.381X0.330
		1	HEX WASHER HEAD SCREW, 1/4-20 X 7/8
73	50754	1	BRAKE DISC
81	50942-2	1	AXLE BUSHING
82	50942-1	1	AXLE BUSHING
106	70314	1	HUB ASSEMBLY
108	50863	1	HUB
		4	LUG BOLT
		1	NUT, HEX 3/4-16
110	70110	1	FITTING O-RING ASSEMBLY
		1	PLASTIC HOSE FITTING
		1	O-RING
111	70109	1	CAP VENT ASSEMBLY
		1	CAP-POPPET VALVE
		1	PLASTIC VENT
123	51076	1	HEX WASHER HEAD SCREW, 1/4-20 X 7/8
134	70553	1	KIT, SEAL
		1	SEAL, LIP 15X35X7 PTC
		1	RING, RETAINING
		1	SEAL, LIP 12X25X7
		1	SEAL, LIP 10X25X7
		1	RING, RETAINING
		2	SEAL, LIP 17X40X7
		1	SEAL, LIP 1.85X.32
		1	RING, RETAINING
		1	RING, RETAINING .440 EXTERNAL
		1	SEAL, LIP .98X1.85X.276
		1	RING, RETAINING
		2	RING, RETAINING
		2	SEAL, LIP 17X40X5
217	50928	1	SEALANT
218		77 oz	20W-50 OIL



P.2 of 2. 70324L-P8