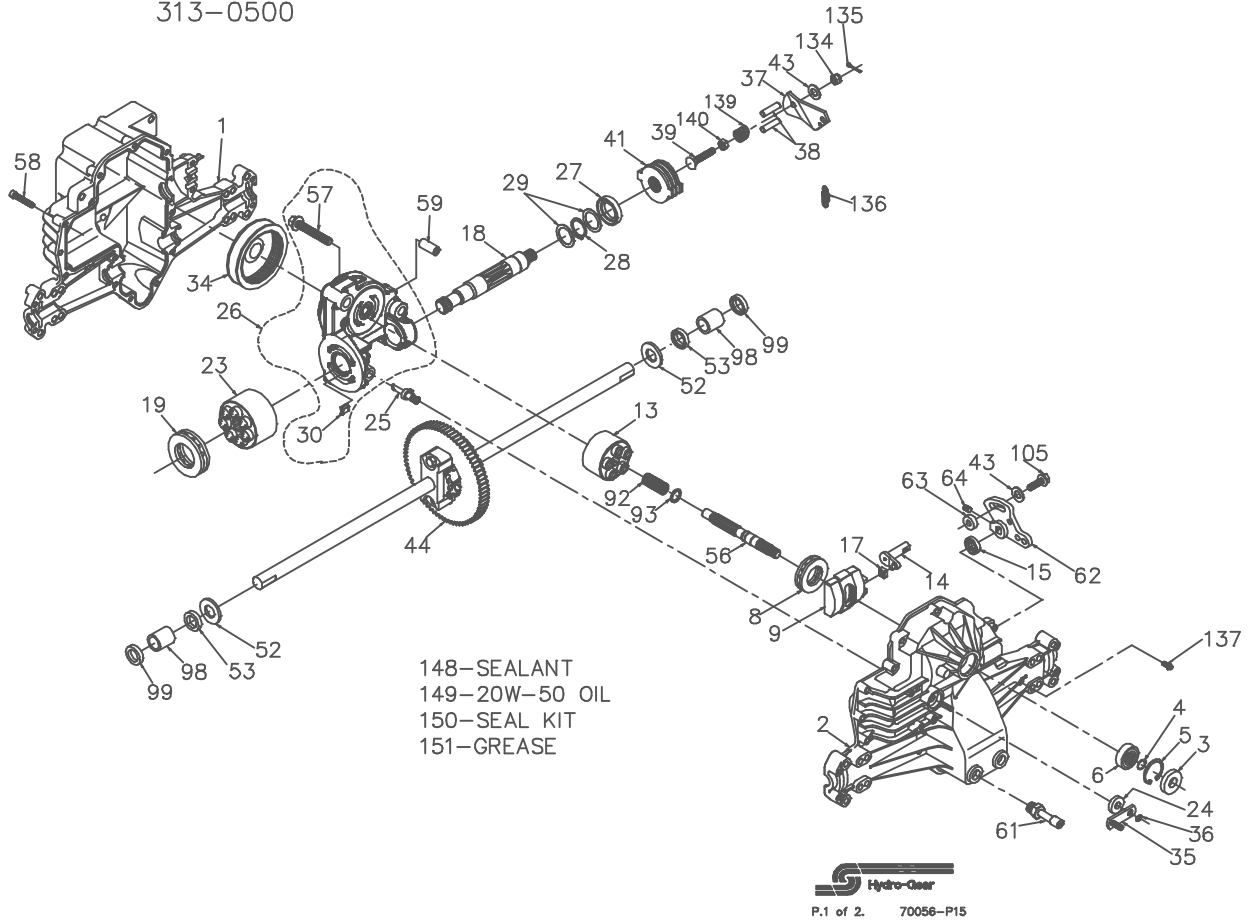


718-0254
313-0500



718-0254
313-0500

ITEM NO	HYDRO-GEAR PART NO	QTY	DESCRIPTION	ITEM NO	HYDRO-GEAR PART NO	QTY	DESCRIPTION
1	44863RM	1	HOUSING, LOWER	39	50316	1	BOLT-5/16-24 X 1-3/4
2	70254	1	ASSEMBLY, UPPER HOUSING	41	70135	1	BRAKE ROTOR/STATOR KIT
		1	UPPER HOUSING			4	BRAKE STATOR
		1	TRUNNION JOURNAL BEARING			2	BRAKE ROTOR
3	9008000-0128	1	SEAL-LIP	43	44130	2	WASHER-7/16 X 7/8 X .060
4	2003016	1	RING-WIRE RETAINING	44	70128	1	DIFFERENTIAL ASSEMBLY
5	2003052	1	RING-RETAINING			2	AXLE SHAFT
6	2003043	1	BEARING-SHAFT BALL			1	72T DIFFERENTIAL GEAR
8	50551	1	BEARING-THRUST 30X52X13			2	DIFFERENTIAL HOUSING
9	2003087	1	SWASHPLATE-VARIABLE			2	14T BEVEL GEAR
13	70331	1	BLOCK-CYLINDER ASS'Y.			2	10T PLANET GEAR
		1	BLOCK-CYLINDER			2	RETAINING RING
		5	PISTON			2	DIFFERENTIAL LOCKING BOLT
		5	PISTON SPRING	52	44875	2	DIFFERENTIAL SPACER
		5	PISTON SPRING WASHER	53	45076	2	WASHER-3/4 X 1.5 X .13
14	2003005	1	ARM-TRUNNION	56	50005	1	SEAL- .75 X 1.25 X .250
15	9008000-0126	1	SEAL-LIP	57	50016	1	SHAFT-INPUT
17	2000015	1	GUIDE-SLOT	58	44876	20	BOLT, 3/8-24 X 2.5
18	50449	1	SHAFT-MOTOR	59	50002	2	BOLT- 1/4-20 X 1.38
19	50552	1	BEARING-THRUST 42X68X16	61	50042	1	PIN- .5 OD X .43 ID X .750
23	70082	1	BLOCK-CYLINDER ASS'Y.	62	45007	1	BREATHER
		1	BLOCK-CYLINDER	63	50034	1	ARM-CONTROL
		7	PISTON	64	50018	1	PUCK-DAMPENER
		7	PISTON SPRING			1	SET SCREW
		7	PISTON SPRING WASHER	92	2003014	1	SPRING, BLOCK
24	45074	1	ACTUATOR-BYPASS	93	2003017	1	WASHER, BLOCK THRUST
25	2003555	1	KIT, CENTER SECTION	98	50137	2	SLEEVE BEARING
26	70250	1	PLATE, BYPASS	99	50941	2	SEAL, LIP 0.75X1.00X0.158
		2	CHECK PLUG ASSEMBLY	105	50282	1	FLANGE HEX SCREW, 5/16-24 X 1
		1	CENTER SECTION	134	44142	1	CASTLE NUT, 5/16-24
		1	DU BEARING	135	44101	1	COTTER PIN
		3	BOLT, 3/8-24 X 2.5	136	50384	1	EXTENSION SPRING
27	45075	1	BUSHING, 1.02 X 1.1 X .67	137	50653	1	SCREW, 10-32 X 1/2
28	50007	1	SEAL-LIP 26X42X8	139	50431	1	COMPRESSION SPRING
29	44872	2	RING-RETAINING	140	50269	1	NUT, HEX 5/16-24
30	70680	1	WASHER-26X35X1	148	50928	1	SEALANT
34	44964	1	KIT, BYPASS PLATE	149		77oz	20W-50 OIL
35	50126	1	OIL FILTER ELEMENT	150	70312	1	SEAL KIT
36	44870	1	ARM-BYPASS	151	50416	1	GREASE
37	44094	1	RING-RETAINING				
38	44891	2	ARM-ACTUATING				
			PIN-ACTUATING				