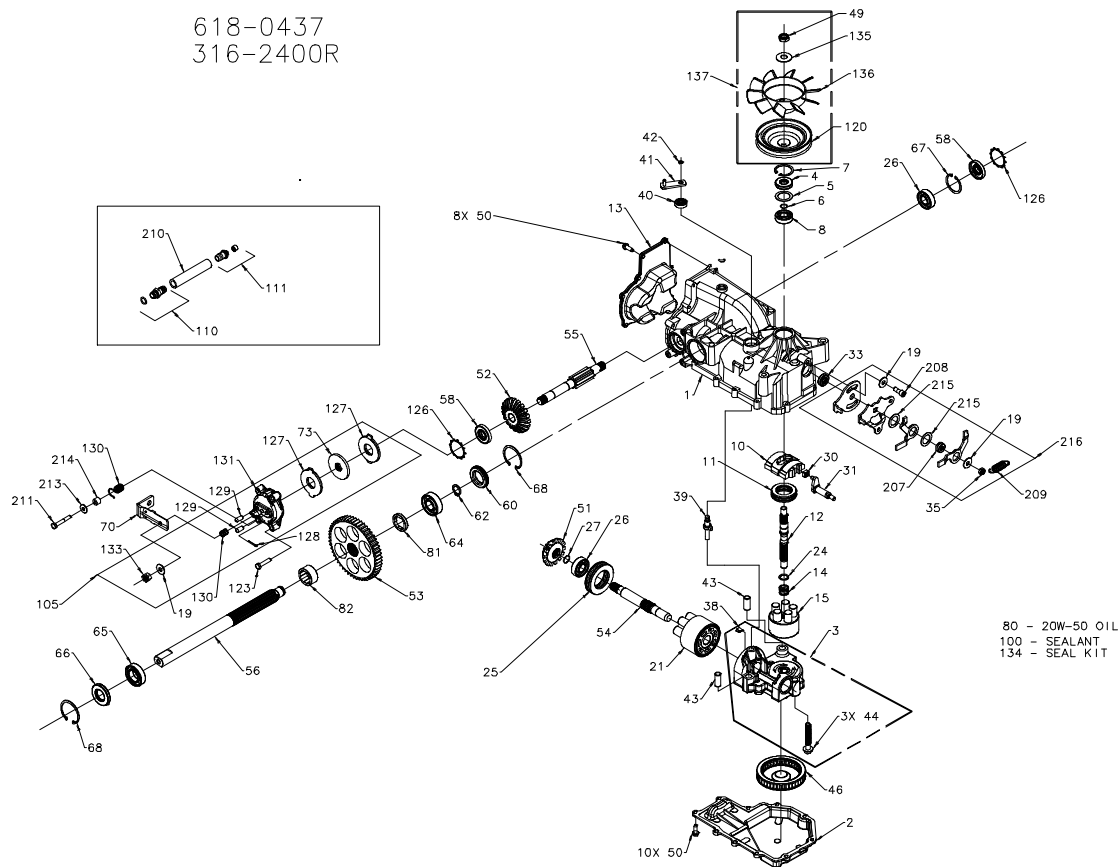


618-0437
316-2400R



Hydro-Gear
P.1 of 2. 70641R-P2

618-0437
316-2400R

ITEM NO.	HYDRO-GEAR PART NO.	QTY.	DESCRIPTION	ITEM NO.	HYDRO-GEAR PART NO.	QTY.	DESCRIPTION	ITEM NO.	HYDRO-GEAR PART NO.	QTY.	DESCRIPTION
1	70627	1	KIT, HOUSING-MAIN	40	45074	1	LIP SEAL	129	44127	2	BRAKE ACTUATING PIN
		1	HOUSING, MAIN	41	50270	1	BYPASS ARM	130	50919	1	COMPRESSION SPRING BRAKE ANTI DRAG
		2	CRADLE BEARING	42	44870	1	RETAINING RING	131	70560	1	KIT, YOKE-BRAKE
		1	LIP SEAL	43	50002	2	PIN				SO HD BOLT 5/16-24 RIBBED
		1	TRUNNION BUSHING	44	50016	3	SCREW				YOKE, BRAKE
2	50890RM	1	LOWER HOUSING	46	50990	1	FILTER	133	44142	1	SLOTTED HEX NUT 5/16-24
3	70677	1	KIT, CENTER SECTION	49	51244	1	HEX LOCK NUT 1/2-20 (NYLON INSERT)	134	70553	1	KIT, SEAL
		1	CENTER SECTION	50	50752	1	SCREW, 1/4-20 X .75 LONG				SEAL, LIP 15 X 35 X 7
		1	BUSHING .67 X 1.03 X .75	51	50744	1	14T BEVEL GEAR				RING, RETAINING
		1	PLATE, BYPASS	52	50745	1	19T BEVEL GEAR				SEAL, LIP 12 X 25 X 7
		3	SCREW, 3/8-24 X 2.5	53	50746	1	53T SPUR GEAR				SEAL, LIP 10 X 25 X 7
		2	CHECK PLUG ASSEMBLY, .027	54	50757	1	MOTOR SHAFT				RING, RETAINING
4	9008000-0128	1	LIP SEAL	55	51335	1	BRAKE SHAFT				2 SEAL, LIP 17 X 40 X 7
5	2003018	1	SPACER	56	51388	1	SHAFT, AXLE 25mm X 14 (D.D.)				SEAL, LIP 1.85 X .32
6	2003016	1	WIRE RETAINING RING	58	51161	2	SEAL, LIP 17 X 40 X 7				RING, RETAINING
7	2003052	1	RETAINING RING	60	50995	1	SEAL PLUG - SIDE				RING, RETAINING .440 EXTERNAL
8	2003043	1	BALL BEARING	62	50759	1	RETAINING RING - AXLE				SEAL, LIP .98 X 1.85 X .276
10	2003087	1	VARIABLE SMASHPLATE	64	50743	1	BEARING-BALL 20X47X14(6204)				RING, RETAINING
11	50551	1	THRUST BEARING 30 X 52 X 13	65	50740	1	BEARING-BALL 25X47X12(6005)				2 RING, RETAINING
12	50005	1	INPUT SHAFT	66	50751	1	SEAL				2 RING, RETAINING
13	50891RM	1	COVER-BACK	67	50329	1	RETAINING RING				2 SEAL, LIP 17 X 40 X 5
14	2003014	1	SPRING, BLOCK	68	50760	2	RETAINING RING-AXLE	135	51234	1	WASHER, .531 X 1.250 X .092 (BELLEVILLE)
15	70331	1	10cc CYLINDER BLOCK ASS'Y	70	51395	1	ARM, BRAKE	136	51364	1	FAN, 6", 10 BLADE
		1	10cc CYLINDER BLOCK	73	44855	1	ROTOR, BRAKE	137	70600	1	KIT, FAN-PULLEY
		5	10cc PISTON SPRING	80		79oz	20W-50 OIL				1 WASHER, .531 X 1.250 X .092 (BELLEVILLE)
		5	PISTON SEAT WASHER	81	50942-2	1	AXLE BUSHING				1 FAN, 6", 10 BLADE
		5	10cc PISTON	82	50942-1	1	AXLE BUSHING				1 HEX LOCK NUT 1/2-20 (NYLON INSERT)
19	44130	3	WASHER	100	50928	1	SEALANT				1 PULLEY, 4.5
21	70082	1	21cc CYLINDER BLOCK ASS'Y	105	70561	1	KIT, BRAKE				1 SPACER, RTN
		1	21cc CYLINDER BLOCK				WASHER	207	51396	1	SCREW, 5/16-24 X .75 (PATCH)
		7	21cc PISTON SPRING				ROTOR, BRAKE	208	51400	1	SPRING, EXTENSION
		7	PISTON SEAT WASHER				STATOR, BRAKE FRICTION	209	51399	1	HOSE
		7	21cc PISTON				COTTER PIN 3/32 X 3/4	210	51401	1	SCREW, HEX HEAD 1/4-28 X 1.75 W/PATCH
24	2003017	1	WASHER, BLOCK THRUST				BRAKE ACTUATING PIN	211	51402	1	SPRING, BRAKE ARM BIAS
25	50552	1	THRUST BEARING 42 X 68 X 16				COMPRESSION SPRING ANTI DRAG	212	50884	1	WASHER, FLAT .28 X .73 X .063
26	50315	2	BALL BEARING				KIT, YOKE-BRAKE	213	51403	1	BRAKE ASS'Y SPACER
27	2000022	1	WIRE RETAINING RING	110	70110	1	FITTING O-RING ASSEMBLY	214	23770	1	WASHER, NYLON
30	2000015	1	SLOT GUIDE				PLASTIC HOSE FITTING	215	51408	2	RIN, KIT
31	50807	1	TRUNNION ARM				O-RING	216	70609	1	WASHER
33	9008000-0126	1	LIP SEAL	111	70109	1	CAP VENT ASSEMBLY				1 HEX LOCK NUT, 5/16-24 UNIF (NYLON INSERT)
34	51394	1	CONTROL ARM				CAP-POPPET VALVE				1 SPACER, RTN
35	50108	1	HEX LOCK NUT, 5/16-24 UNIF (NYLON INSERT)				PLASTIC VENT				1 SCREW, 5/16-24 X .75 (PATCH)
38	70680	1	KIT, BYPASS PLATE	120	51363	1	PULLEY, 4.5				1 SPRING, EXTENSION
39	2003555	1	BYPASS ACTUATOR	123	51341	2	SCREW, 1/4-28 X 1.25 W/PATCH				2 WASHER, NYLON
				126	51316	2	RING, RETAINING				1 CONTROL ARM
				127	51340	2	STATOR, BRAKE FRICTION				1 ARM, RTN SCISSOR, OUTER
				128	44101	2	COTTER PIN 3/32 X 3/4				1 ARM, RTN SCISSOR, INNER
											1 ARM, RETURN

Hydro-Gear
P.2 of 2. 70641R-P2