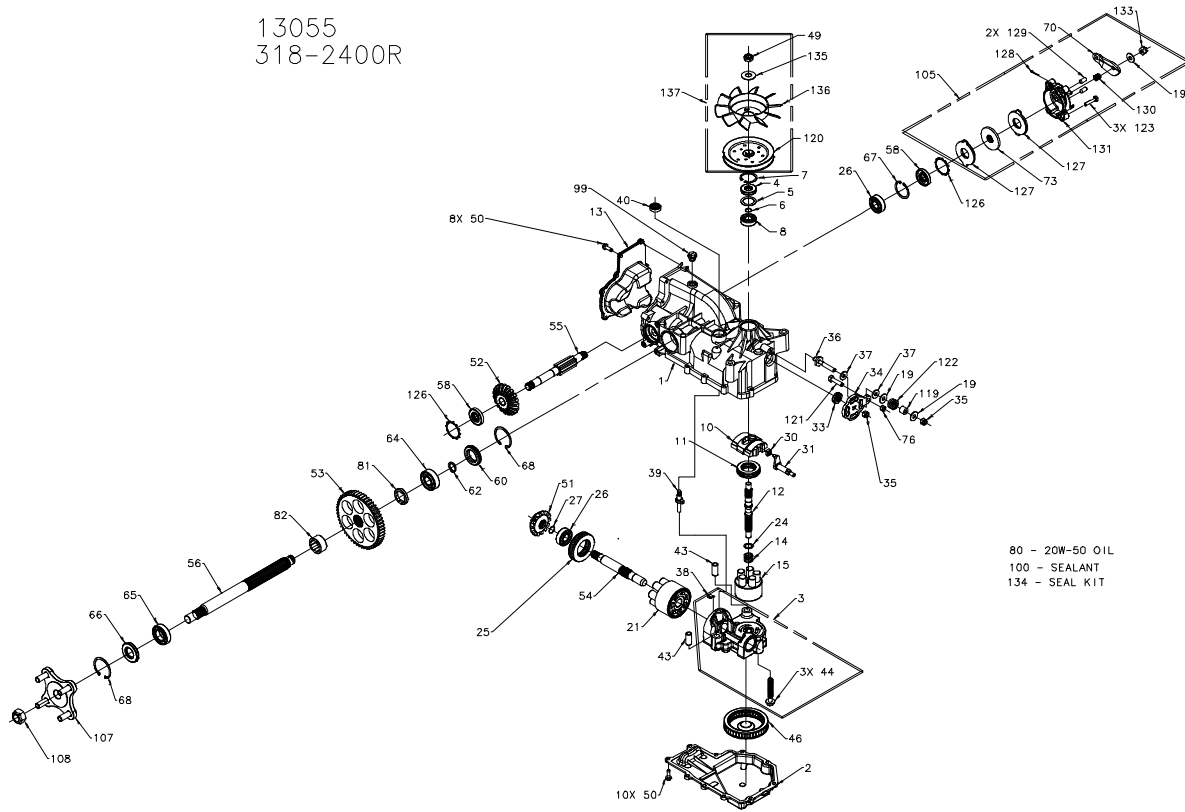
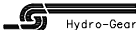



13055  
318-2400R



  
P.1 of 2. 70555R-P4

13055  
318-2400R

ITEM #	PART #	QTY	DESCRIPTION	ITEM #	PART #	QTY	DESCRIPTION
1	70556	1	KIT, HOUSING-MAIN	64	50743	1	BEARING-BALL 20x17x14(6204)
		1	HOUSING, MAIN	65	50740	1	BEARING-BALL 25x17x12(6005)
		2	CRADLE BEARING	66	50751	1	SEAL
		1	LIP SEAL	67	50329	1	RETAINING RING
2	5089ORM	1	TRUNNION BUSHING	68	50760	2	RETAINING RING-AXLE
		1	LOWER HOUSING	70	51349	1	ARM, BRAKE
3	70677	1	KIT, CENTER SECTION	73	44855	1	ROTOR, BRAKE
		1	CENTER SECTION	76	43083	1	HEX NUT 5/16-18
		1	BUSHING .67 X 1.03 X .75	80		79x2	20W-50 OIL
		1	PLATE, BYPASS	81	50942-2	1	AXLE BUSHING
		3	SCREW 3/8-24 X 2.5	82	50942-1	1	AXLE BUSHING
		2	CHEK PLUG ASSEMBLY, .027	99	9015500-5600	1	PLUG-ASTLE
4	9008000-0128	1	LIP SEAL	100	50928	1	SEALANT
5	2003018	1	SPACER	105	70561	1	KIT, BRAKE
6	2003016	7	WIRE RETAINING RING			1	WASHER
7	2003052	1	RETAINING RING			1	ARM, BRAKE
8	2003043	1	BALL BEARING			1	ROTOR, BRAKE
10	2003087	1	VARIABLE SWASHPLATE			3	SCREW 1/4-28 X 1.38 W/PATCH
11	50551	1	THRUST BEARING 30 X 52 X 13			2	STATOR, BRAKE FRICTION
12	50005	1	INPUT SHAFT			1	COTTER PIN 3/32 X 3/4
13	50891RM	1	COVER-BACK			2	BRAKE ACTUATING PIN
14	2003014	1	SPRING, BLOCK			1	COMPRESSION SPRING ANTI DRAG
15	70331	1	10cc CYLINDER BLOCK ASS'Y			1	KIT, YOKE-BRAKE
		1	10cc CYLINDER BLOCK	107	70314	1	SLOTTED HEX NUT 5/16-24
		5	10cc PISTON SPRING			1	HUB ASSEMBLY
		5	PISTON SEAT WASHER			4	LUG BOLT
		5	10cc PISTON	108	50863	1	NUT, HEX 3/4-16
19	44130	3	WASHER	119	50278	1	SPACER
		1	21cc CYLINDER BLOCK ASS'Y	120	51182	1	PULLEY, 4.5
21	70082	1	21cc CYLINDER BLOCK	121	51047	1	BOLT 5/16-18x1-1/4
		1	21cc PISTON SPRING	122	50277	1	HELICAL COMP. SPRING
		7	PISTON SEAT WASHER	123	51341	3	SCREW, 1/4-28 X 1.25 W/PATCH
		7	21cc PISTON	126	51316	2	RING, RETAINING
24	2003017	1	WASHER, BLOCK THRUST	127	51340	2	STATOR, BRAKE FRICTION
25	50552	1	THRUST BEARING 42 X 68 X 16	129	44101	1	COTTER PIN 3/32 X 3/4
26	50315	2	BALL BEARING	129	44127	2	BRAKE ACTUATING PIN
27	2000022	1	WIRE RETAINING RING	130	50919	1	COMPRESSION SPRING BRAKE ANTI DRAG
30	2000015	1	SLOT GUIDE	131	70560	1	KIT, YOKE-BRAKE
31	50807	1	TRUNNION ARM			1	SQ HD BOLT 5/16-24 RIBBED
33	9008000-0126	1	LIP SEAL			1	YOKE, BRAKE
34	50749	1	CONTROL ARM	133	44142	1	SLOTTED HEX NUT 5/16-24
35	40317	2	NUT	134	70553	1	KIT, SEAL
36	50284	1	STUD - LONG 5/16-24			1	SEAL, LIP 15 X 35 X 7
37	50281	2	FRICTION PUCK			1	RING, RETAINING
38	70680	1	KIT, BYPASS PLATE			1	SEAL, LIP 12 X 25 X 7
39	2003555	1	BYPASS ACTUATOR			1	SEAL, LIP 10 X 25 X 7
40	45074	1	LIP SEAL			1	RING, RETAINING
43	50002	2	PIN			2	SEAL, LIP 17 X 40 X 7
44	50016	1	SCREW			1	SEAL, LIP 1.85 X .32
46	50990	1	FILTER			1	RING, RETAINING
49	51244	1	HEX LOCK NUT 1/2-20 (NYLON INSERT)			1	RING, RETAINING .440 EXTERNAL
50	50752	18	SCREW, 1/4-20 X .75 LONG			1	SEAL, LIP .98 X 1.85 X .276
51	50744	1	14T BEVEL GEAR			1	RING, RETAINING
52	50745	1	19T BEVEL GEAR			2	RING, RETAINING
53	50746	1	53T SPUR GEAR			2	RING, RETAINING
54	50757	1	MOTOR SHAFT			2	SEAL, LIP 17 X 40 X 5
55	51335	1	BRAKE SHAFT	135	51234	1	WASHER, .531 X 1.250 X .092 (BELLEVILLE)
56	50748	1	AXLE SHAFT	136	51362	1	FAN, 6", 10 BLADE
58	51161	2	SEAL, LIP 17 X 40 X 7	137	70583	1	KIT, FAN-PULLEY
60	50995	1	SEAL PLUG - SIDE			1	WASHER, .531 X 1.250 X .092 (BELLEVILLE)
62	50759	1	RETAINING RING - AXLE			1	FAN, 6", 10 BLADE
						1	HEX LOCK NUT 1/2-20 (NYLON INSERT)
						1	PULLEY, 4.5

  
P.2 of 2. 70555R-P4