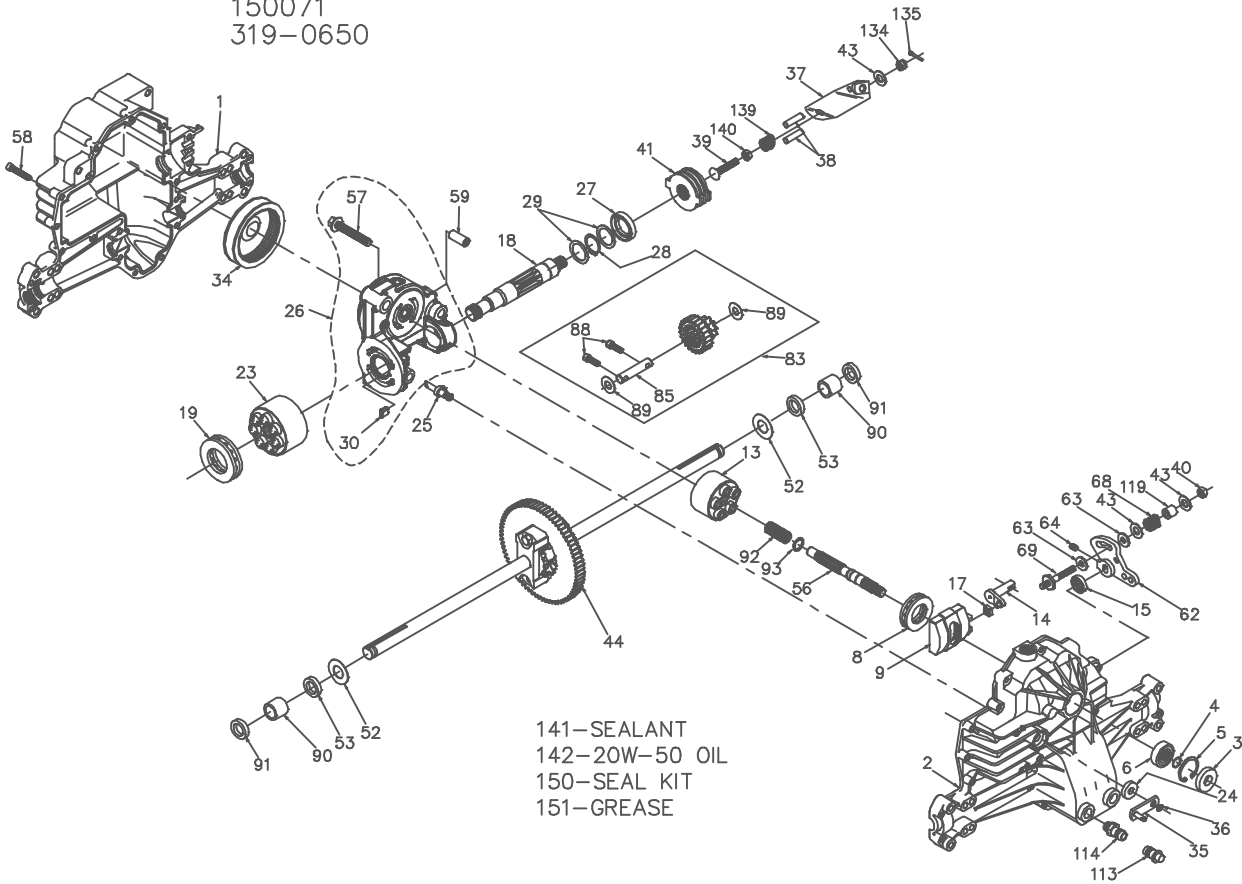


150071
319-0650



P. 1 of 2. 70221-P10

150071
319-0650

ITEM NO	HYDRO-GEAR PART NO	QTY	DESCRIPTION	ITEM NO	HYDRO-GEAR PART NO	QTY	DESCRIPTION
1	50074RM	1	HOUSING, LOWER	44	70226	1	DIFFERENTIAL ASSEMBLY
2	70255	1	ASSEMBLY, UPPER HOUSING			1	GEAR-DIFF. 50T
		1	HOUSING, UPPER			2	DIFF. COVER
3	9008000-012B	1	BEARING-TRUNNION JOURNAL			2	GEAR-BEVEL 14T
4	2003016	1	SEAL-LIP			2	GEAR-PLANET 10T
5	2003052	1	RING-WIRE RETAINING			2	RING, RETAINING
6	2003043	1	RING-RETAINING			2	BOLT- 5/16-24 X 2-1/4
8	50551	1	BEARING-SHAFT BALL			1	AXLE SHAFT, RH
9	2003087	1	BEARING-THRUST 30X52X13			1	AXLE SHAFT, LH
13	70331	1	SWASHPLATE-VARIABLE			1	SPACER, DIFF.
		1	BLOCK-CYLINDER ASS'Y.	52	44875	2	WASHER-3/4 X 1.5 X .13
		5	BLOCK-CYLINDER	53	45076	2	SEAL- .75 X 1.25 X .250
		1	PISTON	56	50005	1	SHAFT-INPUT
		5	PISTON SPRING	57	50016	3	BOLT, 3/8-24 X 2.5
		5	PISTON SPRING WASHER	58	44876	21	BOLT- 1/4-20 X 1.38
14	2003005	1	ARM-TRUNNION	59	50002	2	SEAL- .5 OD X .43 ID X .750
15	9008000-0126	1	SEAL-LIP	62	50254	1	ARM-CONTROL
17	2000015	1	GUIDE-SLOT	63	50281	2	PUCK-DAMPENER
18	50449	1	SHAFT-MOTOR	64	50018	1	SET SCREW
19	50552	1	BEARING-THRUST 42X68X16	68	50277	1	SPRING
23	70082	1	BLOCK-CYLINDER (MOTOR) ASSY	69	50284	1	5/16-24 STUD
		1	BLOCK-CYLINDER	83	70282	1	JACK SHAFT/PINION GEAR ASSEMBLY
		7	PISTON			1	17-23T CLUSTER ASSEMBLY
		7	PISTON SPRING			1	JACK SHAFT
		7	PISTON SPRING WASHER			2	CAPSCREW 6M X 20 LG
24	45074	1	SEAL-LIP 10X25X7			2	WASHER 7/16 X 1 X .5
25	2003555	1	ACTUATOR-BYPASS	85	50559	1	JACK SHAFT
26	70250	1	KIT, CENTER SECTION	88	50154	2	CAPSCREW 6M X 20 LG
		1	PLATE, BYPASS	89	50132	2	WASHER 7/16 X 1 X .5
		2	CHECK PLUG ASSEMBLY	90	50118	2	SLEEVE BEARING
		1	CENTER SECTION	91	50941	2	SEAL, LIP 0.75X1.00X0.158
		1	DU BEARING	92	2003014	1	SPRING, BLOCK
		3	BOLT-3/8-24 X 2.5	93	2003017	1	WASHER, BLOCK THRUST
		1	BUSHING, 1.02 X 1.1 X .67	113	70109	1	CAP-VENT ASSEMBLY
27	45075	1	SEAL-LIP 26X42X8			1	CAP-POPPET VALVE
28	50007	1	RING-RETAINING			1	PLASTIC VENT
29	44872	2	WASHER-26X35X1	114	70110	1	FITTING-O RING ASSEMBLY
30	70680	1	KIT, BYPASS PLATE			1	O-RING
34	44964	1	OIL FILTER ELEMENT			1	PLASTIC HOSE FITTING
35	50270	1	ARM-BYPASS			1	SPACER
36	44870	1	RING-RETAINING			1	CASTLE NUT, 5/16-24
37	23710	1	ARM-ACTUATING			1	COTTER PIN
38	44891	2	PIN-ACTUATING	119	50278	1	COMPRESSION SPRING
39	50316	1	BOLT-5/16-18 X 1-3/4	134	44142	1	NUT,HEX 5/16-18
40	50317	1	NUT-HEX LOCK 5/16-24 UNJC	135	44101	1	SEALANT
41	70135	1	BRAKE ROTOR/STATOR KIT	139	50431	1	20W-50 OIL
		4	STATOR-BRAKE	140	50269	1	SEAL KIT
		2	ROTOR-BRAKE	141	50928	1	GREASE
43	44130	3	WASHER-7/16 X 7/8 X .060	142	150	81oz	
				150	70312	1	
				151	50416	1	



P.2 of 2. 70221-P10