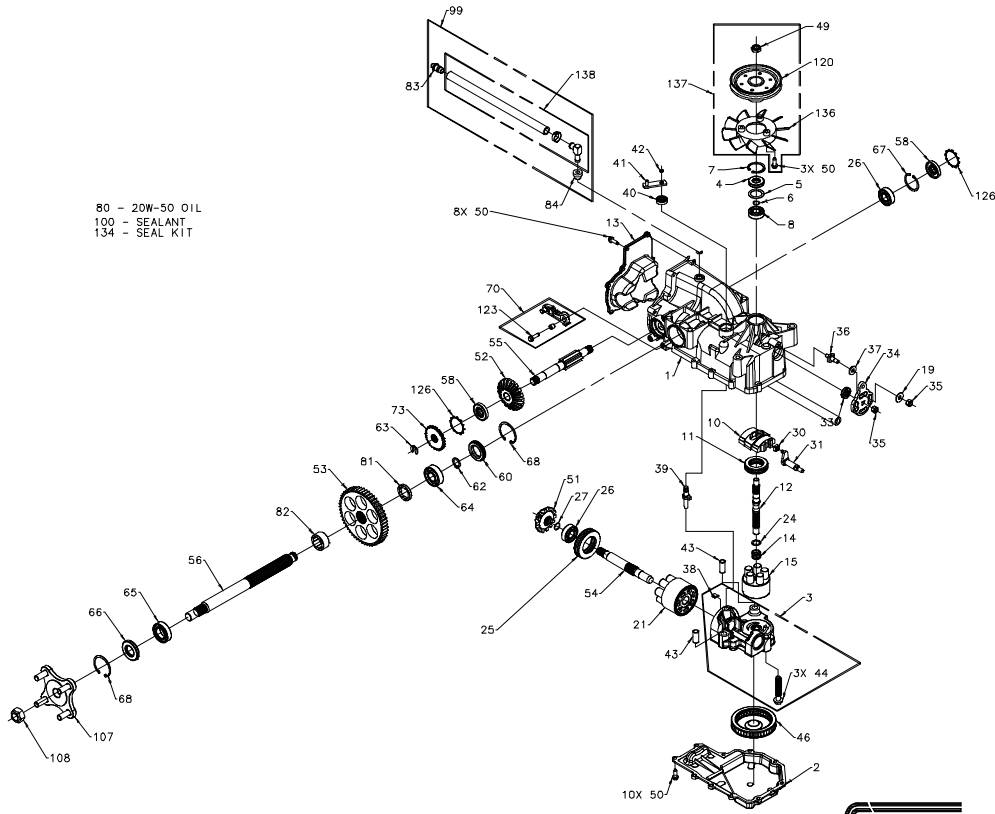


100-7360
319-2400R



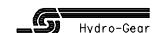
80 - 20W-50 OIL
100 - SEALANT
134 - SEAL KIT


P.1 of 2. 70587R-P3

100-7360
319-2400R

ITEM #	PART #	QTY	DESCRIPTION
1	70590	1	KIT, HOUSING-MAIN
		1	HOUSING, MAIN
		2	CRADLE BEARING
		1	LIP SEAL
		1	TRUNNION BUSHING
2	50890RM	1	LOWER HOUSING
3	70667	1	KIT, CENTER SECTION
		1	CENTER SECTION
		1	BUSHING .67 X 1.03 X .75
		1	PLATE, BYPASS
		3	SCREW, 3/8-24 X 2.5
		2	CHECK PLUG ASSEMBLY, .027
		1	LIP SEAL
4	9008000-0128	1	SPACER
5	2003018	1	WIRE RETAINING RING
6	2003016	1	RETAINING RING
7	2003052	1	BALL BEARING
8	2003043	1	VARIABLE WASHPLATE
10	2003087	1	THRUST BEARING 30 X 52 X 13
11	50551	1	INPUT SHAFT
12	50005	1	COVER-BACK
13	50891RM	1	SPRING, BLOCK
14	2003014	1	10cc CYLINDER BLOCK ASS'Y
15	70331	1	10cc CYLINDER BLOCK
		5	10cc PISTON SPRING
		5	PISTON SEAT WASHER
		5	10cc PISTON
19	44130	1	WASHER
21	70082	1	21cc CYLINDER BLOCK ASS'Y
		1	21cc CYLINDER BLOCK
		7	21cc PISTON SPRING
		7	PISTON SEAT WASHER
		7	21cc PISTON
24	2003017	1	WASHER, BLOCK THRUST
25	50552	1	THRUST BEARING 42 X 68 X 16
26	50315	2	BALL BEARING
27	2000022	1	WIRE RETAINING RING
30	2000015	1	SLOT GUIDE
31	50890	1	TRUNNION ARM
33	9008000-0126	1	LIP SEAL
34	50749	1	CONTROL ARM
35	50317	2	NUT
36	50426	1	STUD - SHORT 5/16-24
37	50281	1	FRICITION PUCK
38	70680	1	KIT, BYPASS PLATE
39	2003555	1	BYPASS ACTUATOR
40	45074	1	LIP SEAL
41	50270	1	BYPASS ARM
42	44870	1	RETAINING RING
43	50002	2	PIN
44	50016	3	SCREW
46	50990	1	FILTER
49	51244	1	HEX LOCK NUT 1/2-20 (NYLON INSERT)
50	50752	21	SCREW, 1/4-20 X .75 LONG
51	50744	1	141 BEVEL GEAR
52	50745	1	191 BEVEL GEAR
53	50746	1	53T SPUR GEAR

ITEM #	PART #	QTY	DESCRIPTION
54	50757	1	MOTOR SHAFT
55	51298	1	BRAKE SHAFT
56	50748	1	AXLE SHAFT
58	51161	2	SEAL, LIP 17 X 40 X 7
60	50995	1	SEAL PLUG - SIDE
62	50759	1	RETAINING RING - AXLE
63	51109	1	RETAINING RING
64	50743	1	BEARING-BALL 20X47X14(6204)
65	50740	1	BEARING-BALL 25X47X12(6005)
66	50751	1	SEAL
67	50329	1	RETAINING RING
68	50760	2	RETAINING RING-AXLE
70	70391	1	LH, BRAKE ARM SERVICE ASSEMBLY
		1	BRAKE ARM
		1	CLEVIS PIN
		1	BUSHING .255 X .381 X .330
		1	HEX WASHER HEAD SCREW, 1/4-20 X 7/8
73	50754	79oz	20W-50 OIL
80			
81	50942-2	1	AXLE BUSHING
82	50942-1	1	AXLE BUSHING
83	70109	1	CAP-VENT ASSEMBLY
84	50133	1	VENT BUSHING
99	70592	1	KIT, BREATHER
		1	CAP-VENT ASSEMBLY
		1	BUSHING, VENT
		1	HOSE/FITTING ASSEMBLY
100	50928	1	SEALANT
107	70314	1	HUB ASSEMBLY
		1	HUB
		4	LUG BOLT
108	50865	1	NUT, HEX 3/4-16
120	50302	1	PULLEY, 4.5
123	51076	1	HEX WASHER HEAD SCREW, 1/4-20 X 7/8
126	51316	2	RING, RETAINING
134	70553	1	KIT, SEAL
		1	SEAL, LIP 15 X 35 X 7
		1	RING, RETAINING
		1	SEAL, LIP 12 X 25 X 7
		1	SEAL, LIP 10 X 25 X 7
		1	RING, RETAINING
		2	SEAL, LIP 17 X 40 X 7
		1	SEAL, LIP 1.85 X .32
		1	RING, RETAINING
		1	RING, RETAINING .440 EXTERNAL
		1	SEAL, LIP .98 X 1.85 X .276
		1	RING, RETAINING
		2	RING, RETAINING
		2	RING, RETAINING
		2	SEAL, LIP 17 X 40 X 5
136	51365	1	FAN, 6", 10 BLADE
137	70591	1	KIT, FAN-PULLEY
		1	WASHER, .531 X 1.250 X .092 (BELLEVILLE)
		1	FAN, 6", 10 BLADE
		1	HEX LOCK NUT 1/2-20 (NYLON INSERT)
		1	PULLEY, 4.5
138	70588	1	HOSE/FITTING ASSEMBLY
		1	METAL FITTING
		1	PINCH CLAMP, SINGLE EAR
		1	1/2" HOSE X 12.0" LONG


P.2 of 2. 70587R-P3