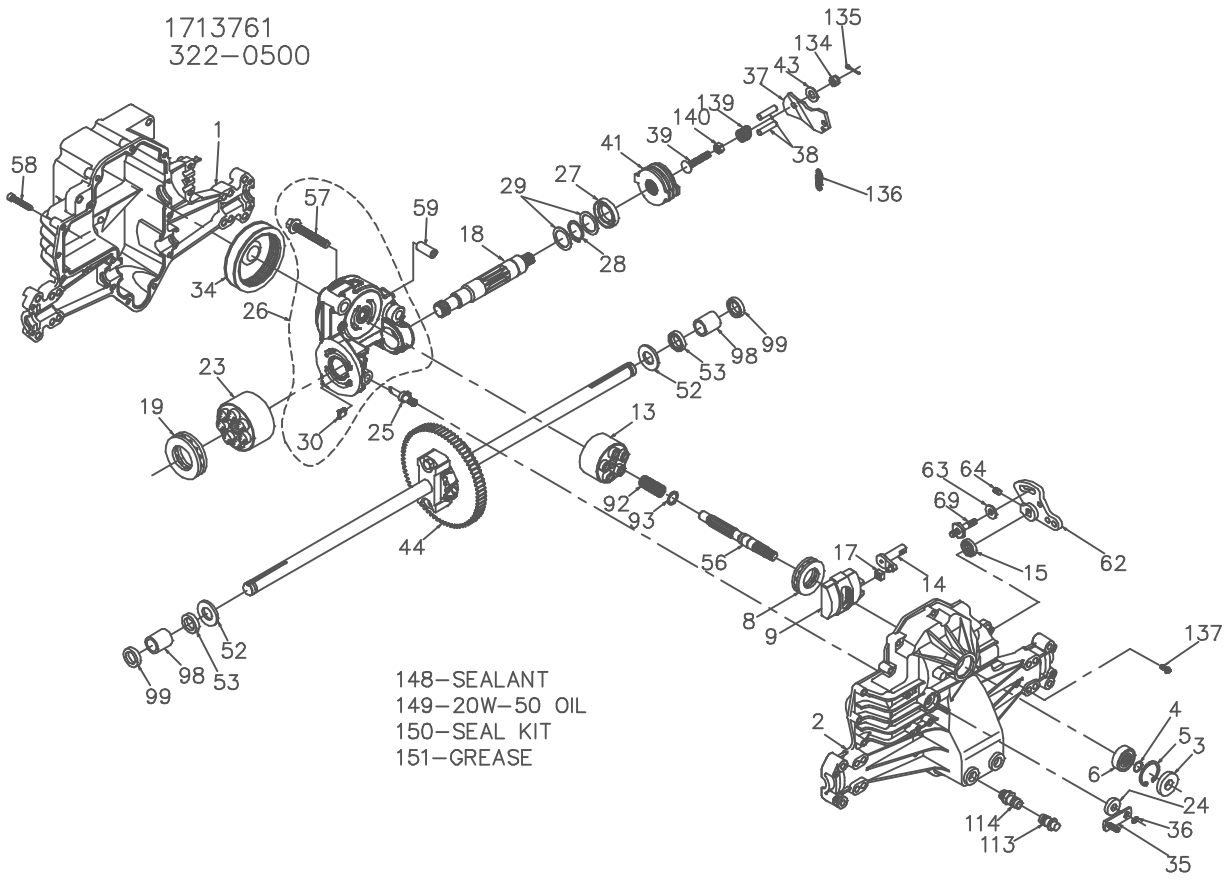


1713761
322-0500



1713761
322-0500

ITEM NO	HYDRO-GEAR PART NO	QTY	DESCRIPTION	ITEM NO	HYDRO-GEAR PART NO	QTY	DESCRIPTION
1	44863RM	1	HOUSING, LOWER	39	50316	1	BOLT-5/16-24 X 1-3/4
2	70254	1	ASSEMBLY, UPPER HOUSING	41	70135	1	BRAKE ROTOR/STATOR KIT
		1	UPPER HOUSING			4	BRAKE STATOR
		1	TRUNNION JOURNAL BEARING			2	BRAKE ROTOR
3	9008000-0128	1	SEAL-LIP	43	44130	1	WASHER-7/16 X 7/8 X .060
4	2003016	1	RING-WIRE RETAINING	44	70126	1	DIFFERENTIAL ASSEMBLY
5	2003052	1	RING-RETAINING			2	AXLE SHAFT
6	2003043	1	BEARING-SHAFT BALL			1	72T DIFFERENTIAL GEAR
8	50551	1	BEARING-THRUST 30X52X13			2	DIFFERENTIAL HOUSING
9	2003087	1	SWASHPLATE-VARIABLE			2	14T BEVEL GEAR
13	70331	1	BLOCK-CYLINDER ASS'Y.			2	10T PLANET GEAR
		1	BLOCK-CYLINDER			2	RETAINING RING
		5	PISTON			2	DIFFERENTIAL LOCKING BOLT
		5	PISTON SPRING			1	DIFFERENTIAL SPACER
		5	PISTON SPRING WASHER	52	44875	2	WASHER-3/4 X 1.5 X .13
14	2003005	1	ARM-TRUNNION	53	45076	2	SEAL-.75 X 1.25 X .250
15	9008000-0126	1	SEAL-LIP			1	SHAFT-INPUT
17	2000015	1	GUIDE-SLOT			3	BOLT, 3/8-24 X 2.5
18	50449	1	SHAFT-MOTOR			58	BOLT- 1/4-20 X 1.38
19	50552	1	BEARING-THRUST 42X68X16			59	PIN-.5 OD X .43 ID X .750
23	70082	1	BLOCK-CYLINDER ASS'Y.			62	ARM-CONTROL
		1	BLOCK-CYLINDER			63	PUCK-DAMPENER
		7	PISTON			64	SET SCREW
		7	PISTON SPRING			69	5/16-24 STUD
		7	PISTON SPRING WASHER			92	SPRING, BLOCK
24	45074	1	SEAL-LIP 10X25X7			93	WASHER, BLOCK THRUST
25	2003555	1	ACTUATOR-BYPASS			98	SLEEVE BEARING
26	70250	1	KIT, CENTER SECTION			99	SEAL, LIP 0.75X1.00X0.158
		2	PLATE, BYPASS			113	CAP-VENT ASSEMBLY
		2	CHECK PLUG ASSEMBLY			1	CAP-POPPET VALVE
		1	CENTER SECTION			1	PLASTIC VENT
		1	DU BEARING			1	FITTING-O RING ASSEMBLY
		3	BOLT, 3/8-24 X 2.5			1	O-RING
		1	BUSHING, 1.02 X 1.1 X .67			1	PLASTIC HOSE FITTING
		1	SEAL-LIP 26X42X8	114	70110	1	CASTLE NUT, 5/16-24
27	45075	1	RING-RETAINING			1	COTTER PIN
28	50007	1	WASHER-26X35X1			1	EXTENSION SPRING
29	44872	2	KIT, BYPASS PLATE			1	SCREW, 10-32 X 1/2
30	70680	1	OIL FILTER ELEMENT			1	COMPRESSION SPRING
34	44964	1	ARM-BYPASS			1	NUT, HEX 5/16-24
35	50126	1	RING-RETAINING			1	SEALANT
36	44870	1	ARM-ACTUATING			149	20W-50 OIL
37	50130	1	PIN-ACTUATING			150	SEAL KIT
38	44891	2				151	GREASE