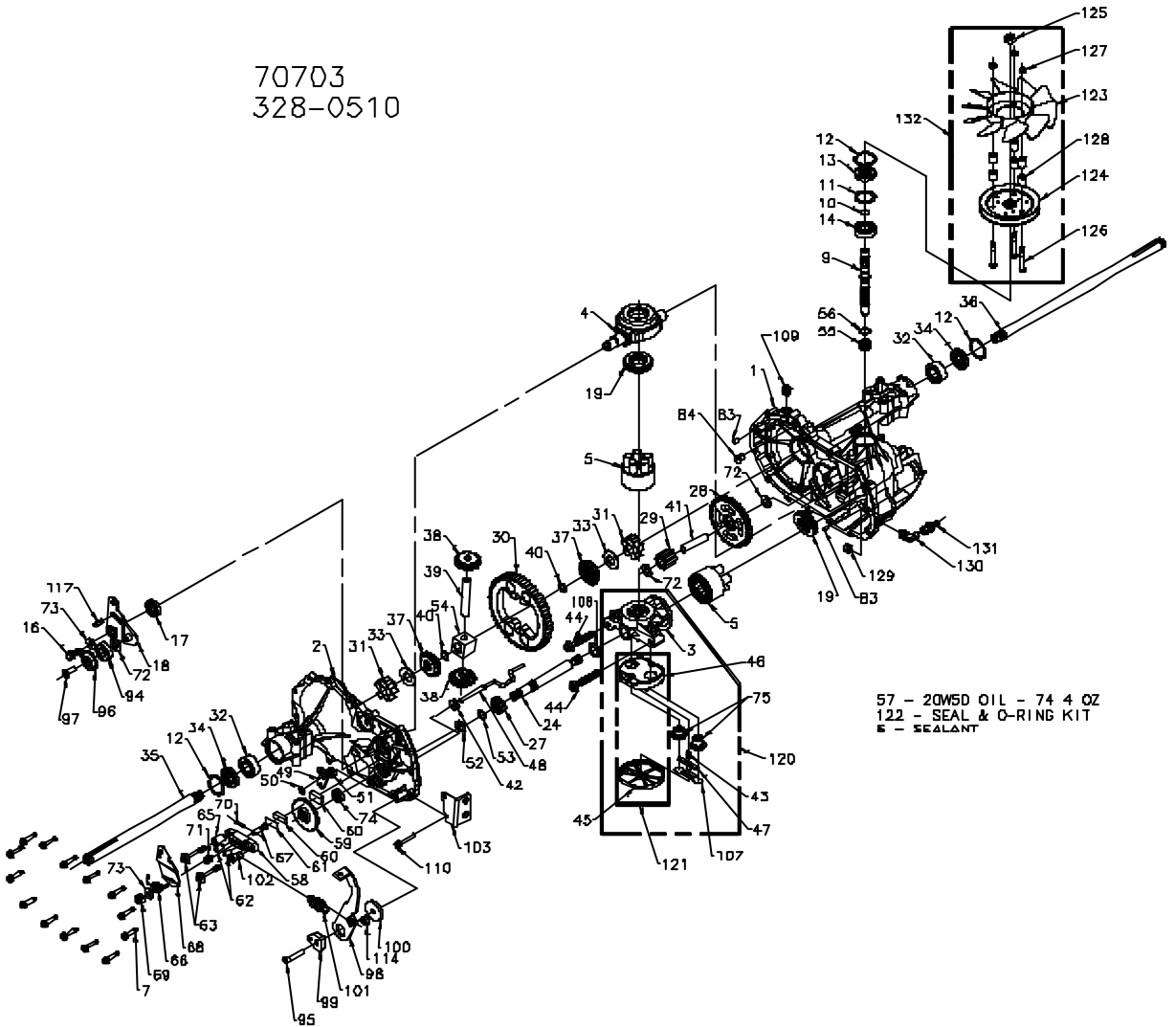
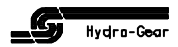


70703
328-0510



57 - 20W5D OIL - 74 4 OZ
122 - SEAL & O-RING KIT
5 - SEALANT



70703
328-0510

ITEM	PART NUMBER	QTY	DESCRIPTION
1	70718	1	MAIN HOUSING ASSEMBLY
		1	MAIN HOUSING, MACHINED
		1	BUSHING, .005 X .095 X .790
2	70403	1	SIDE HOUSING ASSEMBLY
		1	SIDE HOUSING, MACHINED
		1	BUSHING, .005 X .095 X .790
		1	BUSHING, .074 X .719 X .682
3	70477	1	CENTER SECTION ASSEMBLY
		1	CENTER SECTION, MACHINED
		1	BUSHING, .707 X .788 X .991
4	51048	1	SWASHPLATE, TRIMMING MACHINED
5	70331	2	BLOCK - ASSEMBLY
		1	BLOCK - CYLINDER
		8	PISTON
		8	SPRING, COMPRESSION
		8	WASHER - THRUST
8	50998	10, 8W	SEALANT
7	51180	14	HEX FLANGE SCREW 1/4-20 X 1.25
9	51082	1	SHAFT INPU
10	9000029	1	RING - RETAINING
11	50951	1	SPACER
12	50329	3	RING - RETAINING
13	51181	1	BEAL, LIP .87 X 1 DR X .278
14	50315	1	BALL BRG 17MM ID X 40MM OD X 12MM
18	51084	1	HEX FLANGE HEAD BOREW 6/16-24 X 0.75
17	51140	1	LIP SEAL 18 X 32 X 7
19	51121	1	ARM, CONTROL
19	50551	2	BEARING, 30X52X13 THRUST
28	50966	1	SHAFT, MOTOR
27	51130	1	GEAR - PINNION, 13T
26	51129	1	10T/48T GEAR
29	51043	1	GEAR, 1DT JACKSHAFT
30	51044	1	80T BULL BEAR
31	51088	2	BLEEVE BEARING 75 X 1.750 X .426
32	51089	2	BLEEVE BEARING (OUTBOARD) 75 X 1.675 X .626
33	44873	2	WASHER, 3/4 ID X 1-1/2 OD X .13 THK
34	51085	2	LIP SEAL AXLE SEAL
35	51394	1	SHAFT, AXLE 75 X 12.14 (KEY, RH)
36	51393	1	SHAFT, AXLE 75 X 17.74 (KEY, LH)
37	44086	2	MITER GEAR (BLIND)
38	44087	2	MITER GEAR 15T (O.D.D)
39	50146	1	SHAFT
40	44871	2	RING, SPIRAL RETAINING
41	51083	1	PIN JACKSHAFT
42	51100	1	WASHER, RING
43	51136	1	SPRING, BYPASS
44	50016	2	HYDRO MTO SCREW 3/8-24 X 2.5 LONG
45	51132	1	FILTER
46	51133	1	BARE, FILTER
47	51081	1	ACTUATOR, BYPASS
48	51080	1	ROD, BYPASS ACTUATOR
49	51135	1	ARM, BYPASS
50	51116	1	RETAINING RING O 260 EXTERNAL
51	51081	1	BEAL, LIP 741 X 250 X .260 TC
52	44371	1	FLAT WASHER - 5/8 ID X 1.0 OD X .05 THK
53	44143	1	RETAINING RING
54	51071	1	BEARING, CENTER BLOCK
55	2003014	1	SPRING - HELICAL COMPRESSION
56	2003017	1	WASHER
57		76, 4W	20W-50 OIL
58	44082	1	BRAKE YOKE
59	51072	1	ROTOR, BRAKE
60	44132	2	BRAKE PLUX
61	44134	1	PLUCK PLATE
62	44127	2	BRAKE ACTUATING PIN
63	51148	2	HFHCS 1/4-20 X 2 W/PATCH, SPECIAL FLANGE
65	23711	1	SPACER
66	51346	1	SPRING, BRAKE ARM BIAG

ITEM	PART NUMBER	QTY	DESCRIPTION
67	44138	1	80 HD BOLT 6/16-24- RIBBED
68	44084	1	ARM, BRAKE
68	44142	1	BLOTTED HEX NUT 6/16-24
70	44101	1	COTTER PIN 3/32 X 3/4
71	50919	1	COMPRESSION SPRING BRAKE ANTI-DRAW
72	50132	5	WASHER, HT .0 1.0, X 1.0 OD, X .032
73	44130	2	FLAT - WASHER 1/32 I.D. X 7/8 O.D
74	44761	1	OIL SEAL, 825 X 1.0 X .25
75	51084	2	CHECK PLUG ASSEMBLY, .027, WASHER
83	8004000-2506	2	PIN, STANDARD HEADLESS
84	8005110-3000	1	PLUG, BAE #6
94	44147	1	BALL BEARING .82 ID X 1.39 X .44
95	50837	1	BUCKET HEAD CAP SCREW, 6/16-24 X 1-1/2
96	51200	1	SPACER, LOCATION
97	50870	1	SCREW, HFHCS
98	51120	1	ARM, RETURN
99	51087	1	PLUCK, ADJUSTING
100	51129	1	WASHER, 1.40 OD X .324 ID X .239 THK
101	51131	1	SPRING, EXTENSION
102	51123	1	SPACER, 560 OD X 260 ID X .870
103	51528	1	BRACKET, TORQUE
107	51134	1	DEFLECTOR
108	51069	1	WASHER, MOTOR SHAFT 71 ID X 1.18 OD X .04 THK
109	8005110-3600	1	PLUG, BAE #6
110	50869	1	TORX HEAD SCREW, 6/16-18 T F
114	51184	1	SPRING GUIDE
117	51124	1	PIN, O.D. SPRING 6/16 X .75
120	70486	1	CENTER SECTION - FILTER - BYPASS ASSEMBLY
		1	CENTER SECTION MACHINED
		1	BARE FILTER
		2	CHECK PLUG ASSEMBLY
		1	SPRING, BYPASS
		1	ACTUATOR, BYPASS
		1	DEFLECTOR
		1	FILTER
121	70466	1	RUBRING, 707 X 788 X .591
		1	FILTER ASSEMBLY
		1	FILTER
		1	BARE, FILTER
122	70463	1	BEAL - O-RING KIT
		1	BEAL, LIP 47 X 1.58 X .278
		1	LIP SEAL 18 X 32 X 7
		2	LIP SEAL 750 X 1.877 X .25
		1	BEAL, LIP 741 X .260 X .260 TC
		1	OIL SEAL 825 1.0 X .25
		1	O-RING .07 X .301 ID (NOT USED)
123	50827	1	FAN 7.0 (10 BLADE)
124	51182	1	PULLEY #4.40 X .685
125	44133	1	NUT, HEX LOCK 1/2-20 W/PATCH
126	44300	3	BOLT, 1/4-20 X 2.0 W/PATCH
127	43178	3	NUT, HEX 1/4-20
128	50259	3	SPACER
128	51487	1	NUT, HEX 7/16-20
130	51924	1	FITTING, 80° BAE #4 7/16-20
131	51927	1	FITTING, #4 - 37 TUBE 1/4 BARB
132	70711	1	KIT, FAN/PULLEY
		1	FAN 7.0 (10 BLADE)
		1	PULLEY #4.40 X .685
		1	NUT, HEX LOCK 1/2-20 W/PATCH
		3	BOLT, 1/4-20 X 2.0 W/PATCH
		3	NUT, HEX 1/4-20
		3	SPACER