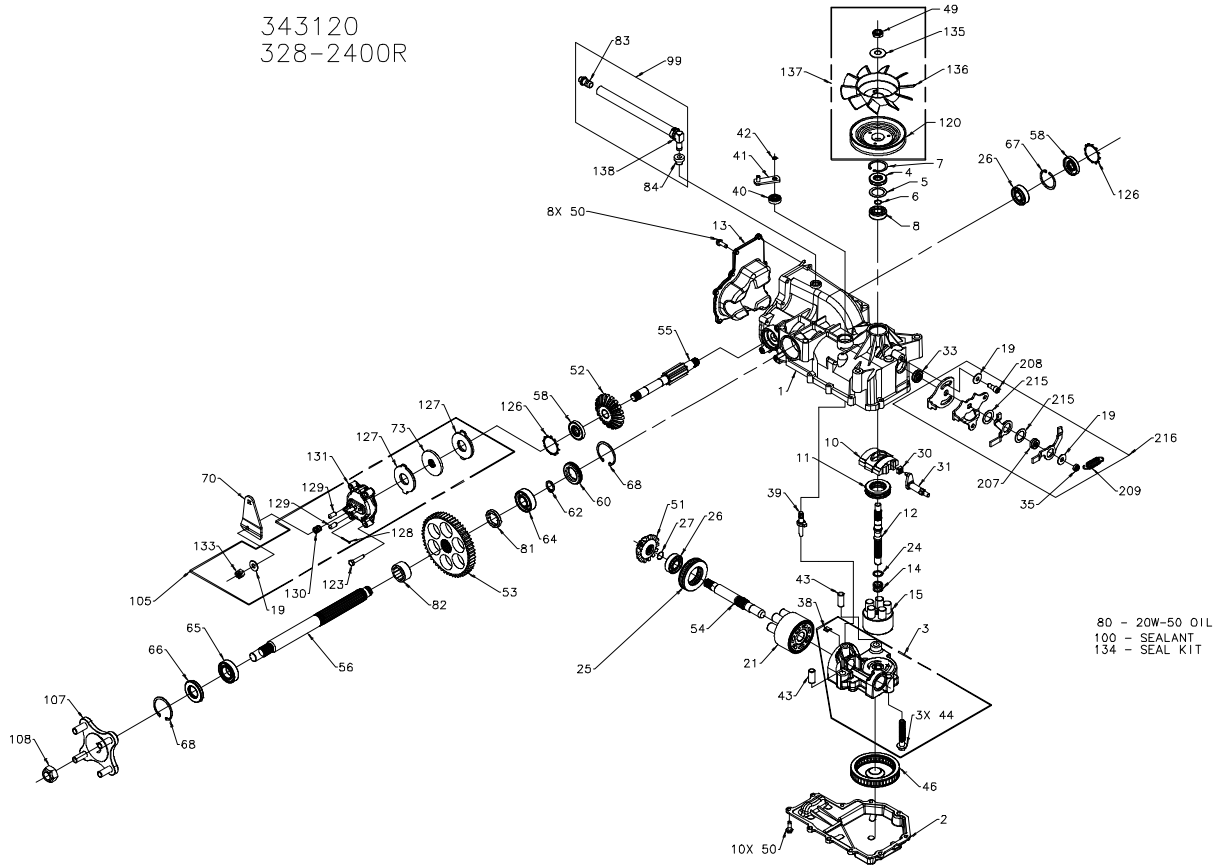


343120
328-2400R



343120
328-2400R

ITEM NO.	HYDRO-GEAR PART NO.	QTY.	DESCRIPTION	ITEM NO.	HYDRO-GEAR PART NO.	QTY.	DESCRIPTION	ITEM NO.	HYDRO-GEAR PART NO.	QTY.	DESCRIPTION		
1	70627	1	KIT, HOUSING-MAIN	40	45074	1	LIP SEAL	129	44127	2	BRAKE ACTUATING PIN		
		1	HOUSING, MAIN	41	50270	1	BYPASS ARM	130	50919	1	COMPRESSION SPRING BRAKE ANTI DRAG		
		2	CRADLE BEARING	42	44870	1	RETAINING RING	131	70560	1	KIT, YOKE-BRAKE		
		1	LIP SEAL	43	50002	2	PIN			1	SO HD BOLT 5/16-24 RIBBED		
2	50890RM	1	TRUNNION BUSHING	44	50016	3	SCREW			1	YOKE, BRAKE		
3	70667	1	LOWER HOUSING	46	50990	1	FILTER	133	44142	1	SLOTTED HEX NUT 5/16-24		
		1	KIT, CENTER SECTION	49	51244	1	HEX LOCK NUT 1/2-20 (NYLON INSERT)	134	70553	1	KIT, SEAL		
		1	CENTER SECTION	50	50752	18	SCREW, 1/4-20 X .75 LONG			1	SEAL, LIP 15 X 35 X 7		
		1	BUSHING .67 X 1.03 X .75	51	50744	1	14T BEVEL GEAR			1	RING, RETAINING		
		1	PLATE, BYPASS	52	50745	1	19T BEVEL GEAR			1	SEAL, LIP 12 X 25 X 7		
		3	SCREW 3/8-24 X 2.5	53	50746	1	53T SPUR GEAR			1	SEAL, LIP 10 X 25 X 7		
		2	CHECK PLUG ASSEMBLY, .027	54	50757	1	MOTOR SHAFT			1	RING, RETAINING		
4	90D8000-012B	1	LIP SEAL	55	51335	1	BRAKE SHAFT			2	SEAL, LIP 17 X 40 X 7		
5	2003018	1	SPACER	56	50748	1	SHAFT, AXLE			1	SEAL, LIP 1.85 X .32		
6	2003016	1	WIRE RETAINING RING	58	51161	2	SEAL, LIP 17 X 40 X 7			1	RING, RETAINING		
7	2003052	1	RETAINING RING	60	50995	1	SEAL PLUG - SIDE			1	RING, RETAINING .440 EXTERNAL		
8	2003043	1	BALL BEARING	62	50759	1	RETAINING RING - AXLE			1	SEAL, LIP .98 X 1.85 X .276		
10	2003087	1	VARIABLE SMASHPLATE	64	50743	1	BEARING-BALL 20X47X14(6204)			1	RING, RETAINING		
11	50551	1	THRUST BEARING 30 X 52 X 13	65	50740	1	BEARING-BALL 25X47X12(6005)			2	RING, RETAINING		
12	50005	1	INPUT SHAFT	66	50751	1	SEAL			2	RING, RETAINING		
13	50891RM	1	COVER-BACK	67	50329	1	RETAINING RING			2	SEAL, LIP 17 X 40 X 5		
14	2003014	1	SPRING, BLOCK	68	50760	2	RETAINING RING-AXLE	135	51234	1	WASHER, .531 X 1.250 X .092 (BELLEVILLE)		
15	70331	1	10cc CYLINDER BLOCK ASS'Y	70	51480	1	ARM, BRAKE	136	51362	1	FAN, 6", 10 BLADE		
		1	10cc CYLINDER BLOCK	73	44855	1	ROTOR, BRAKE	137	70671	1	KIT, FAN-PULLEY		
		5	10cc PISTON SPRING	80		79oz	20W-50 OIL			1	WASHER, .531 X 1.250 X .092 (BELLEVILLE)		
		5	PISTON SEAT WASHER	81	50942-2	1	AXLE BUSHING			1	FAN, 6", 10 BLADE		
		3	10cc PISTON	82	50942-1	1	AXLE BUSHING			1	HEX LOCK NUT 1/2-20 (NYLON INSERT)		
		3	WASHER	83	70109	1	CAP VENT ASSEMBLY			1	RALLEY, 4.5		
19	44130	1	21cc CYLINDER BLOCK ASS'Y			1	CAP-POPPET VALVE			138	70588	1	HOSE/FITTING ASSEMBLY
21	70082	1	21cc CYLINDER BLOCK			1	PLASTIC VENT					1	METAL FITTING
		1	21cc PISTON SPRING			1	VENT, BUSHING					1	PINCH CLAMP SINGLE EAR
		7	PISTON SEAT WASHER	84	51481	1	KIT, BREATHER					1	1/2 HOSE 12.0" LONG
		7	21cc PISTON	89	70592	1	CAP-VENT ASSEMBLY			207	51396	1	SPACER, RIN
24	2003017	1	WASHER, BLOCK THRUST			1	BUSHING-VENT			208	51400	1	SCREW, 5/16-24 X .75 (PATCH)
25	50552	1	THRUST BEARING 42 X 68 X 16			1	HOSE/FITTING ASSEMBLY			209	51399	1	SPRING, EXTENSION
26	50315	2	BALL BEARING	100	50928	1	SEALANT			215	51408	2	WASHER, NYLON
27	2000022	1	WIRE RETAINING RING	105	70561	1	KIT, BRAKE			216	70609	1	RIN, KIT
30	2000015	1	SLOT GUIDE			1	WASHER					2	WASHER
31	50807	1	TRUNNION ARM			1	ROTOR, BRAKE					1	HEX LOCK NUT, 5/16-24 UNF (NYLON INSERT)
33	9008000-0126	1	LIP SEAL			2	STATOR, BRAKE FRICTION					1	SPACER, RIN
35	50108	1	HEX LOCK NUT, 5/16-24 UNF (NYLON INSERT)			1	COTTER PIN 3/32 X 3/4					1	SCREW, 5/16-24 X .75 (PATCH)
38	70680	1	KIT, BYPASS PLATE			2	BRAKE ACTUATING PIN					2	SPRING, EXTENSION
39	2003555	1	BYPASS ACTUATOR			1	COMPRESSION SPRING ANTI DRAG					2	WASHER, NYLON
				107	70314	1	KIT, YOKE-BRAKE					1	CONTROL ARM
						1	HUB ASSEMBLY					1	ARM, RIN SCISSOR, OUTER
						4	LUG BOLT					1	ARM, RIN SCISSOR, INNER
						1	HUB					1	ARM, RETURN
				108	50863	1	NUT, HEX 3/4-16						
				120	51242	1	PULLEY, 4.5						
				123	51341	3	SCREW, 1/4-28 X 1.25 W/PATCH						
				126	51316	2	RING, RETAINING						
				127	51340	2	STATOR, BRAKE FRICTION						
				128	44101	1	COTTER PIN 3/32 X 3/4						