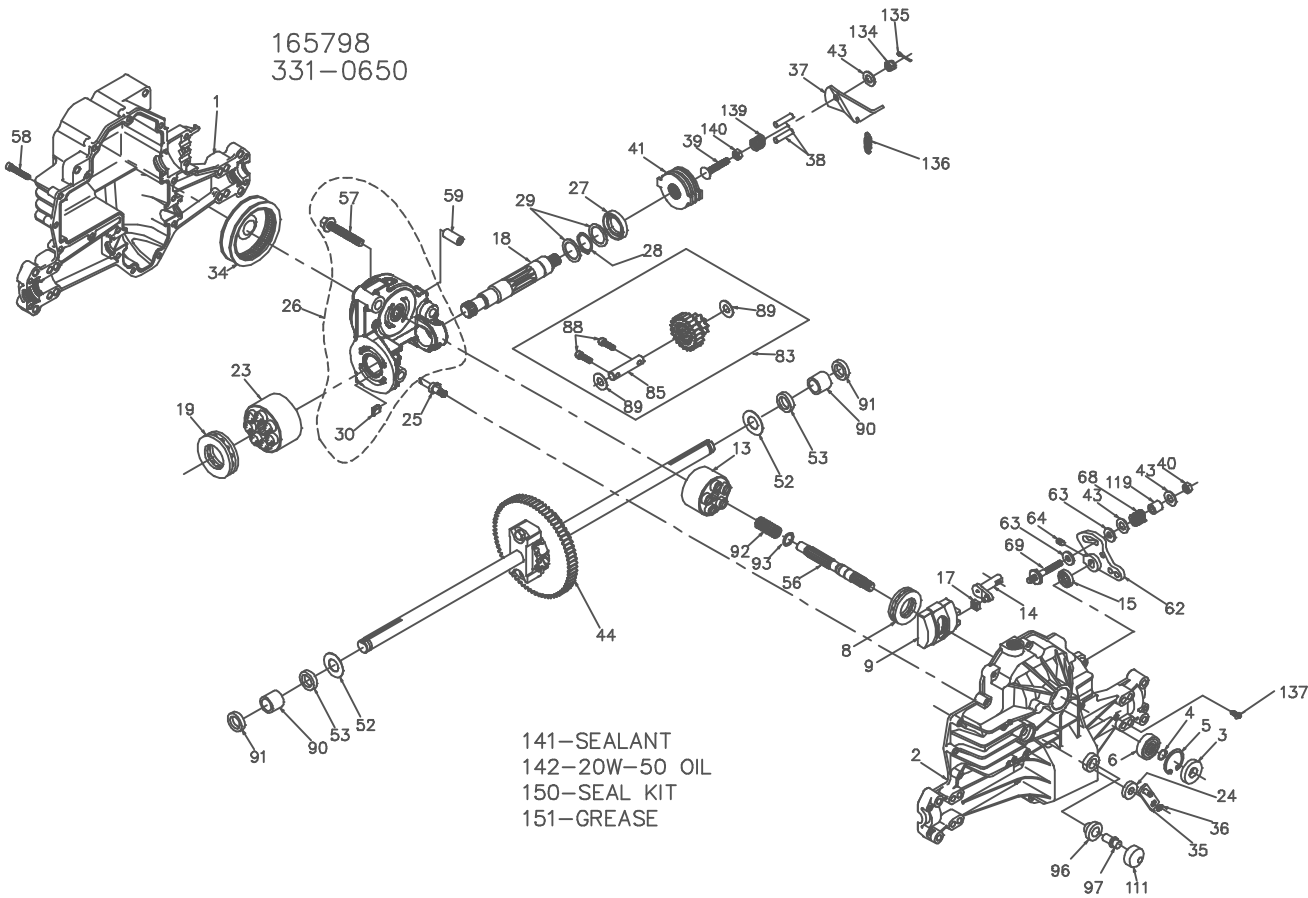


165798
331-0650



141-SEALANT
142-20W-50 OIL
150-SEAL KIT
151-GREASE

ITEM NO	HYDRO-GEAR PART NO	QTY	DESCRIPTION
1	50074RM	1	HOUSING, LOWER
2	70281	1	ASSEMBLY, UPPER HOUSING
		1	HOUSING, UPPER
		1	BEARING-TRUNNION JOURNAL
		1	SEAL-LIP
3	9008000-0128	1	RING-WIRE RETAINING
4	2003016	1	RING-RETAINING
5	2003052	1	BEARING-SHAFT BALL
6	2003043	1	BEARING-THRUST 30X52X13
8	50551	1	SWASHPLATE-VARIABLE
9	2003087	1	BLOCK-CYLINDER ASS'Y.
13	70331	1	BLOCK-CYLINDER
		5	PISTON
		5	PISTON SPRING
		5	PISTON SPRING WASHER
14	2003005	1	ARM-TRUNNION
15	9008000-0126	1	SEAL-LIP
17	2000015	1	GUIDE-SLOT
18	50449	1	SHAFT-MOTOR
19	50552	1	BEARING-THRUST 42X68X16
23	70082	1	BLOCK-CYLINDER (MOTOR) ASSY
		1	BLOCK-CYLINDER
		7	PISTON
		7	PISTON SPRING
		7	PISTON SPRING WASHER
24	45074	1	SEAL-LIP 10X25X7
25	2003555	1	ACTUATOR-BYPASS
26	70250	1	KIT, CENTER SECTION
		1	PLATE, BYPASS
		2	CHECK PLUG ASSEMBLY
		1	CENTER SECTION
		1	DU BEARING
		3	BOLT-3/8-24 X 2.5
		1	BUSHING, 1.02 X 1.1 X .67
27	45075	1	SEAL-LIP 26X42X8
28	50007	1	RING-RETAINING
29	44872	2	WASHER-26X35X1
30	70680	1	KIT, BYPASS PLATE
34	44964	1	OIL FILTER ELEMENT
35	50270	1	ARM-BYPASS
36	44870	1	RING-RETAINING
37	51110	1	ARM, BRAKE
38	44891	2	PIN-ACTUATING
39	50316	1	BOLT-5/16-18 X 1-3/4
40	50317	1	NUT-HEX LOCK 5/16-24 UNJC
41	70135	1	BRAKE ROTOR/STATOR KIT
		4	STATOR-BRAKE
		2	ROTOR-BRAKE
43	44130	3	WASHER-7/16 X 7/8 X .060

ITEM NO	HYDRO-GEAR PART NO	QTY	DESCRIPTION
44	70226	1	DIFFERENTIAL ASSEMBLY
		1	GEAR-DIFF. 50T
		2	DIFF. COVER
		2	GEAR-BEVEL 14T
		2	GEAR-PLANET 10T
		2	RING, RETAINING
		2	BOLT- 5/16-24 X 2-1/4
		1	AXLE SHAFT, RH
		1	AXLE SHAFT, LH
		1	SPACER, DIFF.
52	44875	2	WASHER-3/4 X 1.5 X .13
53	45076	2	SEAL- .75 X 1.25 X .250
56	50005	1	SHAFT-INPUT
57	50016	3	BOLT, 3/8-24 X 2.5
58	44876	21	BOLT- 1/4-20 X 1.38
59	50002	2	PIN- .5 OD X .43 ID X .750
62	50254	1	ARM-CONTROL
63	50281	2	PUCK-DAMPENER
64	50019	1	SET SCREW
68	50277	1	SPRING
69	50284	1	5/16-24 STUD
83	70282	1	JACK SHAFT/PINION GEAR ASSEMBLY
		1	17-23T CLUSTER ASSEMBLY
		1	JACK SHAFT
		2	CAPSCREW 6M X 20 LG
		2	WASHER 7/16 X 1 X .5
		1	JACK SHAFT
		1	CAPSCREW 6M X 20 LG
		2	WASHER 7/16 X 1 X .5
		2	SLEEVE BEARING
		2	SEAL, LIP 0.75X1.00X0.158
		1	SPRING, BLOCK
		1	WASHER, BLOCK THRUST
		1	BUSHING, VENT
		1	VENT
		1	VENT
		1	SPACER
		1	CASTLE NUT, 5/16-24
		1	COTTER PIN
		1	EXTENSION SPRING
		1	SCREW, 10-32 X 1/2
		1	COMPRESSION SPRING
		1	NUT,HEX 5/16-18
		1	SEALANT
		82oz	20W-50 OIL
		1	SEAL KIT
		1	GREASE
85	50559	1	
88	50154	2	
89	50132	2	
90	50118	2	
91	50941	2	
92	2003014	1	
93	2003017	1	
96	50133	1	
97	50134	1	
111	50196	1	
119	50278	1	
134	44142	1	
135	44101	1	
136	50384	1	
137	50653	1	
	50431	1	
	50269	1	
	50928	1	
	70312	1	
	50416	1	