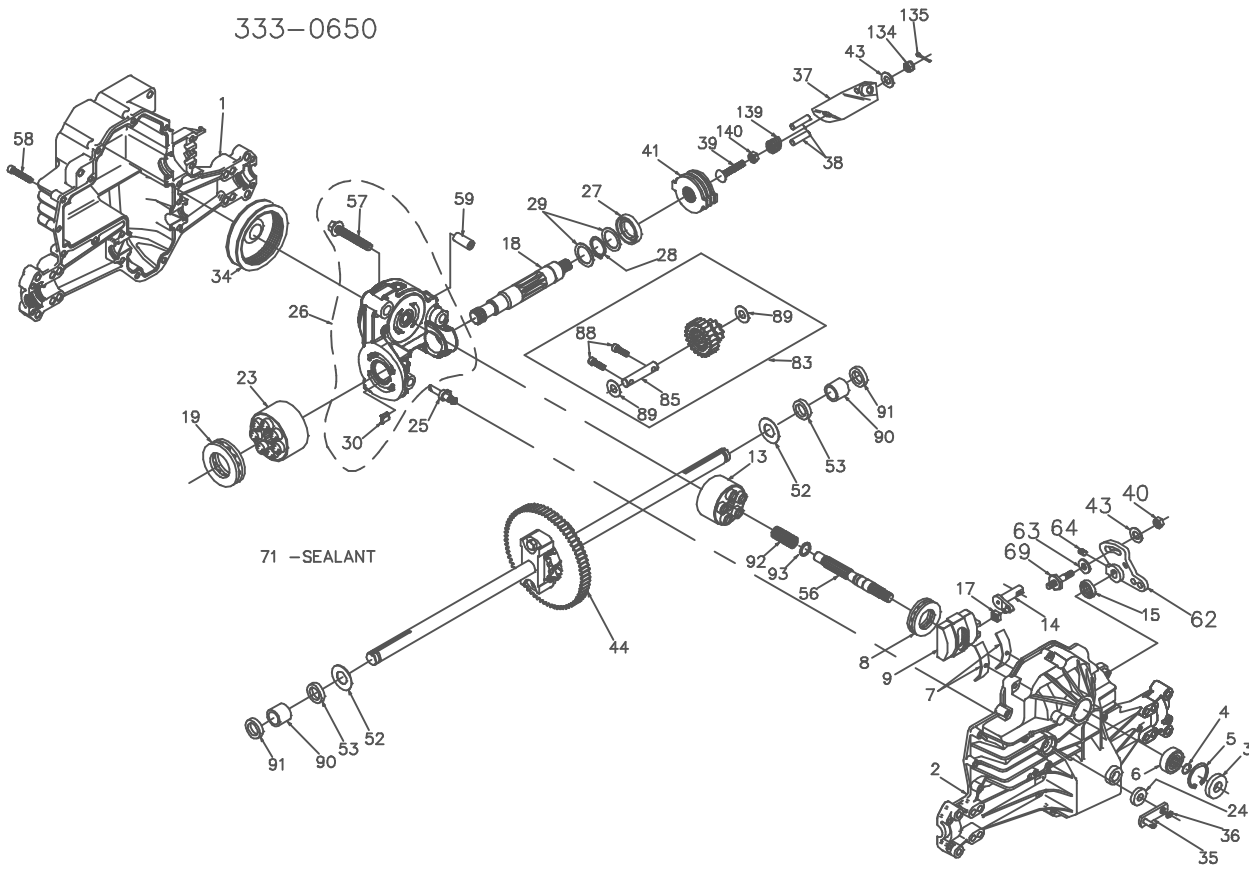


333-0650



333-0650

| ITEM NO | HYDRO-GEAR PART NO | QTY | DESCRIPTION                 |
|---------|--------------------|-----|-----------------------------|
| 1       | 50074RM            | 1   | HOUSING, LOWER              |
| 2       | 70281              | 1   | ASSEMBLY, UPPER HOUSING     |
|         |                    | 1   | HOUSING, UPPER              |
|         |                    | 1   | BEARING-TRUNNION JOURNAL    |
| 3       | 9008000-0128       | 1   | SEAL-LIP                    |
| 4       | 2003016            | 1   | RING-WIRE RETAINING         |
| 5       | 2003052            | 1   | RING-RETAINING              |
| 6       | 2003043            | 1   | BEARING-SHAFT BALL          |
| 7       | 2003023            | 2   | BEARING-CRADLE              |
| 8       | 50551              | 1   | BEARING-THRUST 30X52X13     |
| 9       | 2003087            | 1   | SWASHPLATE-VARIABLE         |
| 13      | 70331              | 1   | BLOCK-CYLINDER ASS'Y.       |
|         |                    | 1   | BLOCK-CYLINDER              |
|         |                    | 5   | PISTON                      |
|         |                    | 5   | PISTON SPRING               |
|         |                    | 5   | PISTON SPRING WASHER        |
| 14      | 2003005            | 1   | ARM-TRUNNION                |
| 15      | 9008000-0126       | 1   | SEAL-LIP                    |
| 17      | 2000015            | 1   | GUIDE-SLOT                  |
| 18      | 50449              | 1   | SHAFT-MOTOR                 |
| 19      | 50552              | 1   | BEARING-THRUST 42X68X16     |
| 23      | 70082              | 1   | BLOCK-CYLINDER (MOTOR) ASSY |
|         |                    | 1   | BLOCK-CYLINDER              |
|         |                    | 7   | PISTON                      |
|         |                    | 7   | PISTON SPRING               |
|         |                    | 7   | PISTON SPRING WASHER        |
| 24      | 45074              | 1   | SEAL-LIP 10X25X7            |
| 25      | 2003555            | 1   | ACTUATOR-BYPASS             |
| 26      | 70250              | 1   | KIT, CENTER SECTION         |
|         |                    | 1   | PLATE, BYPASS               |
|         |                    | 2   | CHECK PLUG ASSEMBLY         |
|         |                    | 1   | CENTER SECTION              |
|         |                    | 1   | DJ BEARING                  |
|         |                    | 3   | BOLT-3/8-24 X 2.5           |
|         |                    | 1   | BUSHING, 1.02 X 1.1 X .67   |
| 27      | 45075              | 1   | SEAL-LIP 26X42X8            |
| 28      | 50007              | 1   | RING-RETAINING              |
| 29      | 44872              | 2   | WASHER-26X35X1              |
| 30      | 70680              | 1   | KIT, BYPASS PLATE           |
| 34      | 44964              | 1   | OIL FILTER ELEMENT          |
| 35      | 50270              | 1   | ARM-BYPASS                  |
| 36      | 44870              | 1   | RING-RETAINING              |
| 37      | 23710              | 1   | ARM-ACTUATING               |
| 38      | 44891              | 2   | PIN-ACTUATING               |
| 39      | 50316              | 1   | BOLT-5/16-18 X 1-3/4        |
| 40      | 50317              | 1   | NUT-HEX LOCK NUT 5/16-24    |
| 41      | 70135              | 1   | BRAKE ROTOR/STATOR KIT      |
|         |                    | 4   | STATOR-BRAKE                |
|         |                    | 2   | ROTOR-BRAKE                 |
| 43      | 44130              | 2   | WASHER-7/16 X 7/8 X .060    |

| ITEM NO | HYDRO-GEAR PART NO | QTY     | DESCRIPTION                     |
|---------|--------------------|---------|---------------------------------|
| 44      | 70226              | 1       | DIFFERENTIAL ASSEMBLY           |
|         |                    | 1       | GEAR-DIFF. 50T                  |
|         |                    | 2       | DIFF. COVER                     |
|         |                    | 2       | GEAR-BEVEL 14T                  |
|         |                    | 2       | GEAR-PLANET 10T                 |
|         |                    | 2       | RING, RETAINING                 |
|         |                    | 2       | BOLT- 5/16-24 X 2-1/4           |
|         |                    | 1       | AXLE SHAFT, RH                  |
|         |                    | 1       | AXLE SHAFT, LH                  |
|         |                    | 1       | SPACER, DIFF.                   |
| 52      | 44875              | 2       | WASHER-3/4 X 1.5 X .13          |
| 53      | 45076              | 2       | SEAL- .75 X 1.25 X .250         |
| 56      | 50005              | 1       | SHAFT-INPUT                     |
| 57      | 50016              | 3       | BOLT, 3/8-24 X 2.5              |
| 58      | 44876              | 21      | BOLT- 1/4-20 X 1.38             |
| 59      | 50002              | 2       | PIN- .5 OD X .43 ID X .750      |
| 62      | 45007              | 1       | ARM-CONTROL                     |
| 63      | 50281              | 1       | PUCK-DAMPENER                   |
| 64      | 50018              | 1       | SET SCREW                       |
| 69      | 50426              | 1       | 5/16-24 STUD                    |
| 71      | 44813              | .02 LBS | SEALANT                         |
| 83      | 70292              | 1       | JACK SHAFT/PINION GEAR ASSEMBLY |
|         |                    | 1       | 17T-23T CLUSTER ASSEMBLY        |
|         |                    | 1       | JACK SHAFT                      |
|         |                    | 2       | CAPSCREW 6M X 20 LG             |
|         |                    | 2       | WASHER 7/16 X 1 X .5            |
| 85      | 50559              | 1       | JACK SHAFT                      |
| 88      | 50154              | 2       | CAPSCREW 6M X 20 LG             |
| 89      | 50132              | 2       | WASHER 7/16 X 1 X .5            |
| 90      | 50118              | 2       | SLEEVE BEARING                  |
| 91      | 50941              | 2       | SEAL, LIP 0.75X1.00X0.158       |
| 92      | 2003014            | 1       | SPRING, BLOCK                   |
| 93      | 2003017            | 1       | WASHER, BLOCK THRUST            |
| 134     | 44142              | 1       | CASTLE NUT, 5/16-24             |
| 135     | 44101              | 1       | COTTER PIN                      |
| 139     | 50431              | 1       | COMPRESSION SPRING              |
| 140     | 50269              | 1       | NUT,HEX 5/16-18                 |