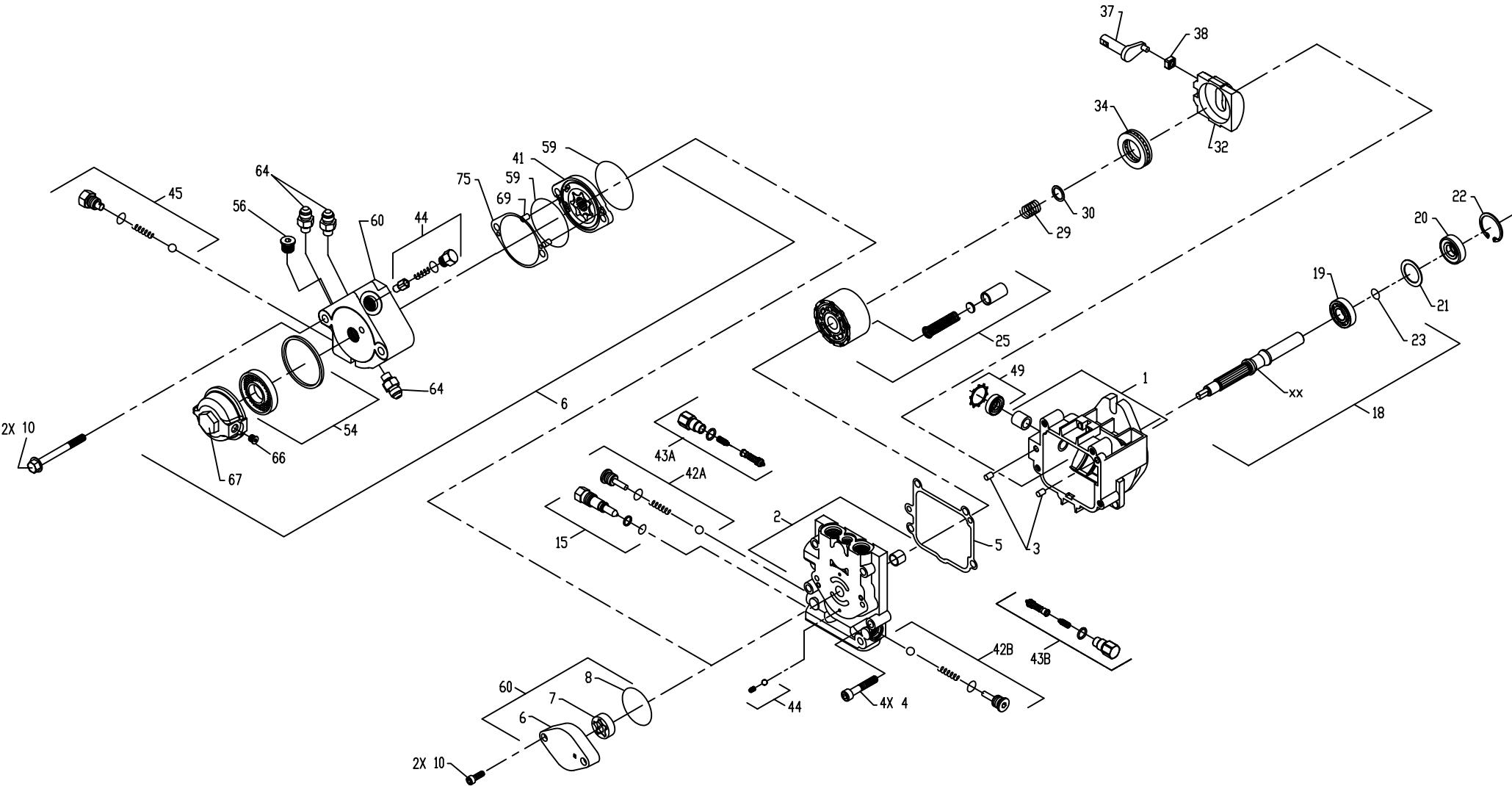


# PL SERIES SERVICE SCHEMATIC




85 SEAL KIT



## PL SERIES CROSS REFERENCE MATRIX

REFERENCE NO	MODEL NO	PUMP SHAFT (KIT #18)	HOUSING (KIT #1)	ENDCAP (KIT #2)	BYPASS VALVE (KIT #15)	CHECK VALVE(LH) (KIT #42B)	CHECK VALVE(RH) (KIT #42A)	TRUNNION ARM	CHARGE PUMP (KIT #6)	CHARGE RELIEF (KIT #44)	INPUT ROTATION
BDP-10L-110	PL-BAVV-DY1X-XXXX	2513038	2513017	2513016	2513030	2510008	2510008	RH	2513027	2510064	CW
BDP-10L-111	PL-BGVV-DY1X-XXXX	2513038	2513017	2513016	2513030	2510008	2510008	RH	2513027	2510064	CCW
BDP-10L-112	PL-AAVV-DY1X-XXXX	70763	2513017	2513016	2513030	2510008	2510008	RH	2513027	2510064	CW
BDP-10L-113	PL-AGVV-DY1X-XXXX	70763	2513017	2513016	2513030	2510008	2510008	RH	2513027	2510064	CCW
BDP-10L-117	PL-BGQQ-DY1X-XXXX	2513038	2513017	2513016	2513030	2510027	2510027	RH	2513027	2510064	CCW
BDP-10L-118	PL-BGVV-DY2X-XXXX	2513038	2513017	2513016	2513031	2510008	2510008	RH	2513027	2510064	CCW
BDP-10L-119	PL-BGVV-DY1X-XXXX	2513038	2513017	2513016	2513030	2510008	2510027	RH	2513027	2510064	CCW
BDP-10L-121	PL-BGVQ-DY1X-XXXX	2513038	2513017	2513016	2513030	2510027	2510008	RH	2513027	2510064	CCW
BDP-10L-122	PL-BAVV-DY2X-XXXX	2513038	2513017	2513016	2513031	2510008	2510008	RH	2513027	2510064	CW
BDP-10L-123	PL-BAQQ-DY1X-XXXX	2513038	2513017	2513016	2513030	2510027	2510027	RH	2513027	2510064	CW
BDP-10L-124	PL-BAQV-DY1X-XXXX	2513038	2513017	2513016	2513030	2510008	2510027	RH	2513027	2510064	CW
BDP-10L-125	PL-BAVQ-DY1X-XXXX	2513038	2513017	2513016	2513030	2510027	2510008	RH	2513027	2510064	CW
BDP-10L-126	PL-AAVV-DY2X-XXXX	70763	2513017	2513016	2513031	2510008	2510008	RH	2513027	2510064	CW
BDP-10L-127	PL-AGVV-DY2X-XXXX	70763	2513017	2513016	2513031	2510008	2510008	RH	2513027	2510064	CCW
BDP-10L-129	PL-BGPP-DY1X-XXXX	2513038	2513017	2513016	2513030	2510062	2510062	RH	2513027	2510064	CCW
BDP-10L-130	PL-BGQQ-DYZX-XXXX	2513038	2513017	2513016	50918	2510027	2510027	RH	2513027	2510064	CCW
BDP-10L-131	PL-AAQV-DY1X-XXXX	70763	2513017	2513016	2513030	2510008	2510027	RH	2513027	2510064	CW
BDP-10L-132	PL-BGRQ-DY1X-XXXX	2513038	2513017	2513016	2513030	2510027	2510034	RH	2513027	2510064	CCW
BDP-10L-133	PL-DGVQ-DY1X-XXXX	70499	2513017	2513016	2513030	2510027	2510008	RH	2513027	2510064	CCW
BDP-10L-134	PL-AAQQ-DY1X-XXXX	70763	2513017	2513016	2513030	2510027	2510027	RH	2513027	2510064	CW
BDP-10L-135	PL-BAVP-DY1X-XXXX	2513038	2513017	2513016	2513030	2510062	2510008	RH	2513027	2510064	CW
BDP-10L-136	PL-BGVV-DYYX-XXXX	2513038	2513017	2513016	2510084	2510008	2510008	RH	2513027	2510064	CCW
BDP-10L-137	PL-BGRR-DY1X-XXXX	2513038	2513017	2513016	2513030	2510034	2510034	RH	2513027	2510064	CCW
BDP-10L-300	PL-BAQP-DY1X-XXXX	2513038	2513017	2513016	2513030	2510062	2510027	RH	2513027	2510064	CW
BDP-10L-301	PL-BAPP-DY1X-XXXX	2513038	2513017	2513016	2513030	2510062	2510062	RH	2513027	2510064	CW
BDP-10L-302	PL-BAPV-DY1X-XXXX	2513038	2513017	2513016	2513030	2510008	2510062	RH	2513027	2510064	CW
BDP-10L-500	PL-AGQQ-DY1X-XXXX	70763	2513017	2513016	2513030	2510027	2510027	RH	2513027	2510064	CCW
BDP-10L-501	PL-DGQQ-DY1X-XXXX	70499	2513017	2513016	2513030	2510027	2510027	RH	2513027	2510064	CCW
BDP-10L-502	PL-BGVP-DY1X-XXXX	2513038	2513017	2513016	2513030	2510062	2510008	RH	2513027	2510064	CCW
BDP-10L-503	PL-BGAC-DY1X-XXXX	2513038	2513017	2513016	2513030	70743	70741	RH	2513027	2510064	CCW
BDP-10L-504	PL-BGCC-DY1X-XXXX	2513038	2513017	2513016	2513030	70743	70743	RH	2513027	2510064	CCW
BDP-10L-700	PL-CARR-VY1X-XXXX	70764	2513017	2513045	2513030	2510034	2510034	RH	70505	2510081	CW
BDP-10L-900	PL-CGQQ-RY1X-XXXX	70764	2513017	2513045	2513030	2510027	2510027	RH	70386	2510081	CCW
BDP-10L-901	PL-CGQQ-UY1X-XXXX	70764	2513017	2513045	2513030	2510027	2510027	RH	70582	2510081	CCW
BDP-10L-902	PL-CGCC-UY1X-XXXX	70764	2513017	2513045	2513030	70743	70743	RH	70582	2510081	CCW

HYDRO-GEAR Drawing Note: See IDEAS Drawing 70385 for Sheet 1 of 3.


		1411 S. HAMILTON ST. SULLIVAN, IL 61951 PHONE: (217) 728-2581	
SERVICE DRAWING - PL (10L)		P 2 of 3	
		DATE:	01/22/04
PART NUMBER:	70385	REV:	P9

## PL SERIES ITEM # LISTING

ITEM / KIT #	HYDRO-GEAR PART #	DESCRIPTION
1	2513017	HOUSING KIT
2	2513016	END CAP KIT (STD)
	2513045	END CAP KIT (AUX)
3	9004800-2506	STRAIGHT HEADLESS PIN
4	9007314-0810	SOCKET HEAD SCREW
5	2003067	HOUSING GASKET
6	2513027	CHARGE PUMP KIT (STD)
	70582	AUX PUMP KIT (AL, SPLINED, 9/16 TUBING FITTINGS)
	70386	AUX PUMP KIT (AL, SPLINED, 7/16 SAE PORTS)
	70505	AUX PUMP KIT (AL, SPLINED, 7/16 SAE PORTS, AUX POPPET)
7	50273	GEROTOR ASSEMBLY
8	9004101-1340	O-RING
10	50095	SOCKET HEAD SCREW
	50969	HEX FLANGE BOLT 8M-1.25 x 60mm
15	2513030	BYPASS VALVE KIT (BLANK)
	2513031	BYPASS VALVE KIT (.031")
	2510084	BYPASS VALVE KIT (.043")
	50918	(SPECIAL: PROPRIETARY)
18	2513038	KIT, PUMP SHAFT (BLIND KEYWAY)
	70763	KIT, PUMP SHAFT (9 TOOTH SPLINE)
	70499	KIT, PUMP SHAFT (KEYED TAPER)
	70764	KIT, PUMP SHAFT (AUX-BLIND KEYWAY)
19	2003043	BALL BEARING
20	9008000-0128	LIP SEAL 15 x 35 x 7
21	2003018	SPACER
22	2003052	RETAINING RING
25	70331	CYLINDER BLOCK KIT
29	2003014	BLOCK SPRING
30	2003017	BLOCK THRUST WASHER

ITEM / KIT #	HYDRO-GEAR PART #	DESCRIPTION
32	2003087	SWASHPLATE
34	50551	BALL THRUST BEARING
37	2003005	TRUNNION ARM
38	2000015	SLOT GUIDE
41	51049	AUX GEROTOR & HSG ASSEMBLY
42	2510008	CHECK VALVE KIT (3/8" BALL)
	2510062	CHECK VALVE KIT (.024" ORIFICE)
	2510027	CHECK VALVE KIT (.031" ORIFICE)
	2510034	CHECK VALVE KIT (.044" ORIFICE)
43	70741	KIT, SHOCK VALVE (NO ORIFICE)
	70742	KIT, SHOCK VALVE (.024" ORIFICE)
	70743	KIT, SHOCK VALVE (.031" ORIFICE)
	70744	KIT, SHOCK VALVE (.044" ORIFICE)
44	2510064	CHARGE RELIEF VALVE KIT (1/4" STEEL BALL)
	2510081	CHARGE RELIEF VALVE KIT (w/ 9/16" SAE PLUG)
45	2510082	AUX RELIEF VALVE KIT (1/4" BALL)
	70504	AUX RELIEF VALVE KIT (AUX POPPET)
47	2003023	CRADLE BEARING
49	2513043	TRUNNION SEAL / RETAINER KIT
54	2510090	AUXILIARY FILTER KIT
56	9005110-4400	STRAIGHT THREAD PLUG
59	9004100-1430	O-RING
60	50260	CHARGE COVER
60	51074	AUX PUMP MANIFOLD (AL, SAE PORTS)
64	51359	CONNECTOR, -6 -4 37 DEG SAE STR THD
66	9005110-3100	5/16" SAE PLUG
67	50994	FILTER COVER
69	50408	STRAIGHT HEADLESS PIN
75	51148	CHARGE PUMP SHIM (RED)
85	2513018	OVERHAUL SEAL KIT

HYDRO-GEAR Drawing Note: See IDEAS Drawing 70385 for Sheet 1 of 3.

		1411 S. HAMILTON ST. SULLIVAN, IL 61951 PHONE: (217) 728-2581	
		SERVICE DRAWING - PL (10L)	
PART NUMBER:		DATE:	P 3 of 3 01/22/04
70385		REV:	P9