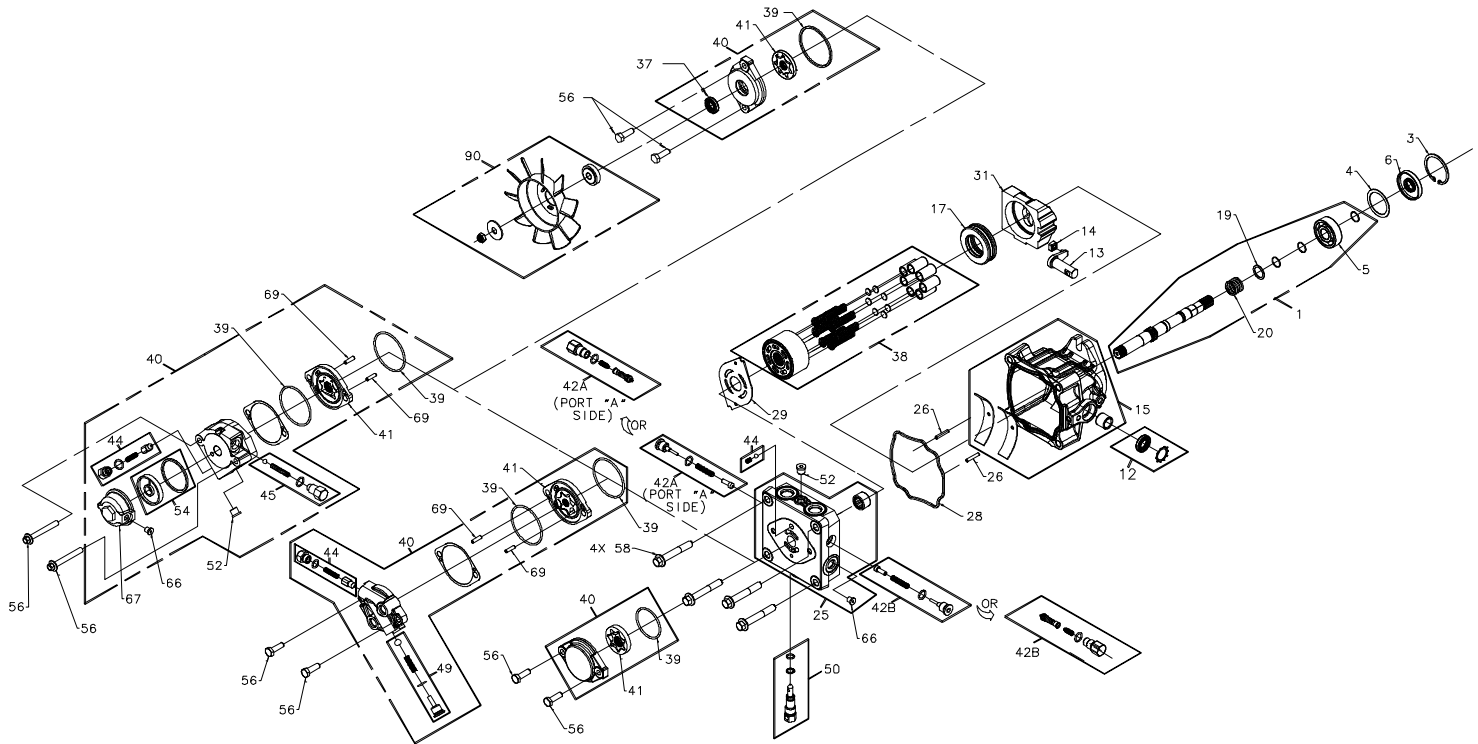
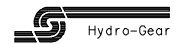


BDP-16A



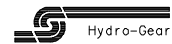
99 - OVERHAUL SEAL KIT



BDP-16A

ITEM #	HYDRO-GEAR PART #	DESCRIPTION
1	70580	KIT PUMP SHAFT (19T SPLINE)
	70581	KIT PUMP SHAFT (17mm KEYED)
	70578	KIT PUMP SHAFT (17mm KEYED THRU TAPER)
	2510091	PUMP SHAFT KIT (DOUBLE TAPERED THRU SHAFT)
3	2000038	RETAINING RING
4	2000023	SPACER
5	2000032	SHAFT BALL BEARING
6	51092	LIP SEAL 17 X 47 X 8 PTCNI
12	70739	TRUNNION SEAL KIT
13	2000014	TRUNNION ARM
14	2000015	SLOT GUIDE
15	70738	HOUSING KIT
17	51462	THRUST BALL BEARING ASSEMBLY
19	2000024	BLOCK THRUST WASHER
20	2000025	BLOCK SPRING
25	70736	END CAP KIT (W/ POPPETS & STD CHG)
	70737	END CAP KIT (W/ POPPETS & AUX CHG)
26	50641	PIN
28	51437	O-RING
29	51455	VALVE PLATE
31	51436	VARIABLE SWASHPLATE
38	70735	CYLINDER BLOCK KIT (16cc)
39	9004100-1430	O-RING
	51016	R-RING -144
40	2510071	CHARGE PUMP KIT (.19 STD SPLINED)
	2510080	CHARGE PUMP KIT (.13 STD THRU SHAFT)
	2510074	CHARGE PUMP KIT (CW - IRON AUX, 40-70 PSI, .001" SHIM)
	70389	CHARGE PUMP KIT (CW - IRON AUX, 135-165 PSI, .001" SHIM)
	2510075	CHARGE PUMP KIT (CCW - IRON AUX, 40-70 PSI, .001" SHIM)
	70387	CHARGE PUMP KIT (AL AUX, 7/16 SAE PORT, 40-70 PSI, .001" SHIM)
	70472	CHARGE PUMP KIT (AL AUX, 7/16 SAE PORT, (75-105 PSI, .001" SHIM)

ITEM #	HYDRO-GEAR PART #	DESCRIPTION
41	50656	GEROTOR ASSEMBLY (.13 cu.in./rev)
	50406	GEROTOR ASSEMBLY (.19 cu.in./rev)
	50761	AUX GEROTOR & HSG ASSEMBLY (0.19 cu.in./rev)
42	2510050	CHECK VALVE KIT (BLANK ORIFICE)
	2510062	CHECK VALVE KIT (.024" ORIFICE)
	2510027	CHECK VALVE KIT (.031" ORIFICE)
	2510034	CHECK VALVE KIT (.044" ORIFICE)
	70741	SHOCK VALVE KIT (BLANK ORIFICE)
	70742	SHOCK VALVE KIT (.024" ORIFICE)
	70743	SHOCK VALVE KIT (.031" ORIFICE)
44	70744	SHOCK VALVE KIT (.044" ORIFICE)
	70402	CHARGE RELIEF KIT (1/4 PLASTIC BALL & 2000029 SPRING)
	70403	CHARGE RELIEF KIT (1/4 PLASTIC BALL & 50654 SPRING)
	2510081	CHARGE RELIEF KIT (W/ 9/16 SAE VALVE PLUG, 40-70 PSI)
	70471	CHARGE RELIEF KIT (W/ 9/16 SAE VALVE PLUG, 75-105 PSI)
	2510061	CHARGE RELIEF KIT (W/ 1/2 SAE VALVE PLUG, 40-70 PSI)
	70388	CHARGE RELIEF KIT (W/ 1/2 SAE VALVE PLUG, 135-165 PSI)
45	2510082	AUX RELIEF VALVE KIT
49	2510020	AUX BYPASS/CHECK KIT
50	2513030	BYPASS VALVE KIT (BLANK ORIFICE)
	2513031	BYPASS VALVE KIT (.031" ORIFICE)
	2510084	BYPASS VALVE KIT (.043" ORIFICE)
	54	2510090
56	50173	SOC HD CAP SCREW (M8 X 1.25-25MM LG.)
	51055	FLANGE HD SCREW, (5/16-18 x 2.5)
58	51457	HEX SCREW, FLANGED HEAD (M10 X 1.50-65MM LG.)
69	50408	DOWEL PIN
99	70740	OVERHAUL SEAL KIT



BDP-16A

MODEL NO.	PUMP SHAFT (KIT #1)	HOUSING (KIT #15)	ENDCAP (KIT #25)	BYPASS VALVE (KIT #50)	CHECK VALVE (RH) (KIT #42A)	CHECK VALVE (LH) KIT #42B)	TRUNNION ARM	CHARGE PUMP (KIT #40)	CHARGE RELIEF (KIT #44)	INPUT ROTATION	MODEL NO.
BDP-16A-100	70581	70738	70736	2513030	2510050	2510050	LH	70470	70402	CW	BDP-16A-100
BDP-16A-200	70580	70738	70736	2513030	70743	70743	RH	70470	70402	CW	BDP-16A-200
BDP-16A-203	70581	70738	70736	2513030	70741	70741	RH	70470	70402	CW	BDP-16A-203
BDP-16A-301	70736	70738	70736	2513030	70743	70743	LH	2510071	70402	CCW	BDP-16A-301
BDP-16A-302	2510091	70738	70736	2513030	70743	2510027	LH	2510080	70402	CCW	BDP-16A-302
BDP-16A-401	2510091	70738	70736	2513030	70743	2510027	RH	2510080	70402	CCW	BDP-16A-401

