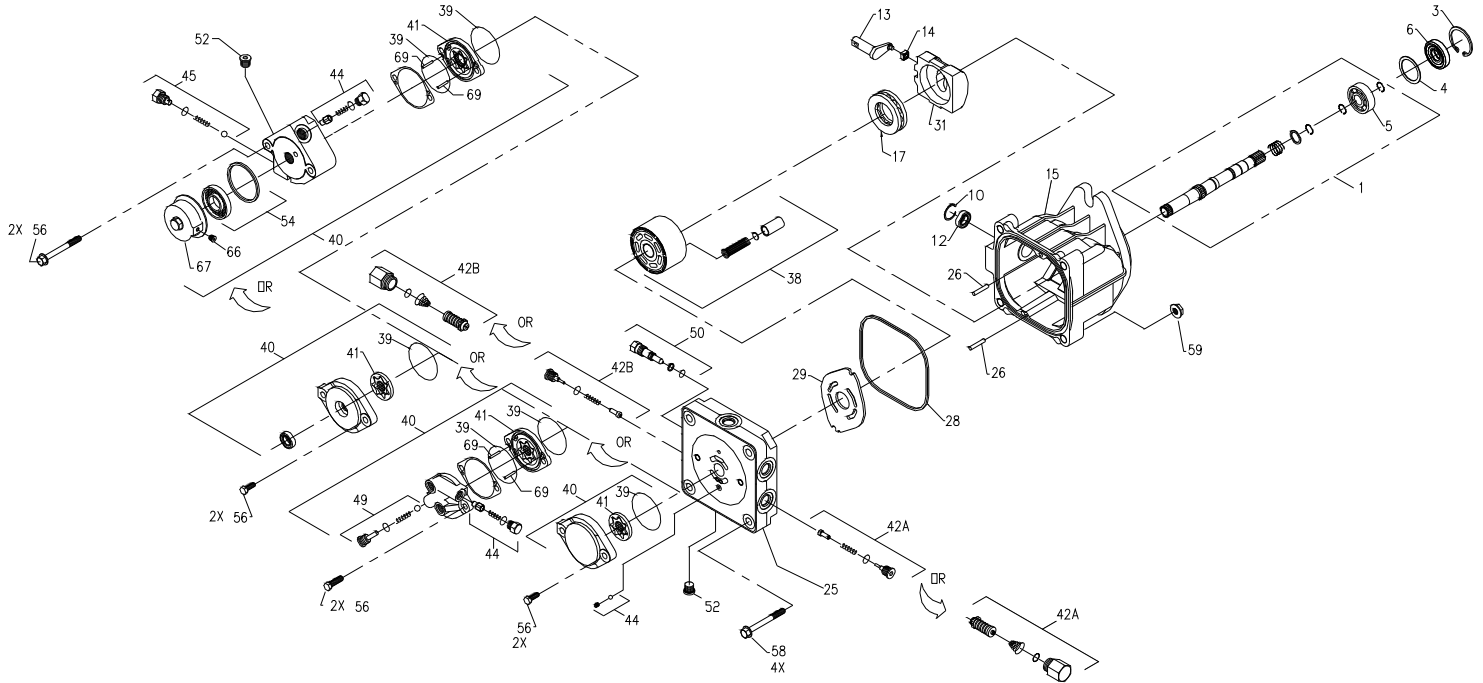


# BDP-21L



85 - OVERHAUL SEAL KIT

# BDP-21L

MODEL NO.	PUMP SHAFT (KIT #1)	HOUSING (KIT #15)	ENDCAP (KIT #25)	BYPASS VALVE (KIT #50)	CHECK VALVE (RH) (KIT #42A)	CHECK VALVE (LH) KIT #42B)	TRUNNION ARM	CHARGE PUMP (KIT #40)	CHARGE RELIEF (KIT #44)	INPUT ROTATION	MODEL NO.
BDP-21L-100	70580	2510065	2510066	2513030	2510050	2510050	LH	2510071	70403	CW	BDP-21L-100
BDP-21L-101	70580	2510065	2510068	2513031	2510067	2510067	LH	2510071	70403	CW	BDP-21L-101
BDP-21L-102	70581	2510065	2510066	2513030	2510027	2510027	LH	2510071	70403	CW	BDP-21L-102
BDP-21L-103	70581	2510065	2510066	2513030	2510062	2510062	LH	2510071	70403	CW	BDP-21L-103
BDP-21L-104	70580	2510065	2510066	2513030	2510027	2510027	LH	2510071	70403	CW	BDP-21L-104
BDP-21L-200	70581	2510065	2510068	2513031	2510067	2510067	RH	2510071	70403	CW	BDP-21L-200
BDP-21L-201	70580	2510065	2510068	2513031	2510067	2510067	RH	2510071	70403	CW	BDP-21L-201
BDP-21L-202	70581	2510065	2510066	2513030	2510027	2510027	RH	2510071	70403	CW	BDP-21L-202
BDP-21L-203	70581	2510065	2510066	2513030	2510062	2510062	RH	2510071	70403	CW	BDP-21L-203
BDP-21L-300	70580	2510065	2510066	2513030	2510050	2510050	LH	2510071	70403	CW	BDP-21L-300
BDP-21L-301	70580	2510065	2510068	2513031	2510067	2510067	LH	2510071	70403	CW	BDP-21L-301
BDP-21L-302	70647	2510065	2510066	2513030	2510034	2510034	LH	2510080	70402	CCW	BDP-21L-302
BDP-21L-303	2510091	2510065	2510066	2513030	2510027	2510027	LH	2510080	70402	CCW	BDP-21L-303
BDP-21L-304	70581	2510065	2510066	2513030	2510027	2510027	LH	2510071	70402	CCW	BDP-21L-304
BDP-21L-305	70581	2510065	2510066	2513030	2510027	2510027	LH	70407	70402	CCS	BDP-21L-305
BDP-21L-306	70581	2510065	70469	2513030	2510034	2510034	LH	70470	70403	CCW	BDP-21L-306
BDP-21L-307	70580	2510065	2510066	2513030	2510027	2510027	LH	2510071	70403	CCW	BDP-21L-307
BDP-21L-309	70578	2510065	2510066	2513030	2510027	2510027	LH	2510080	70402	CCW	BDP-21L-309
BDP-21L-400	70647	2510065	2510066	2513030	2510034	2510034	RH	2510080	70402	CCW	BDP-21L-400
BDP-21L-401	2510091	2510065	2510066	2513030	2510027	2510027	RH	2510080	70402	CCW	BDP-21L-401
BDP-21L-402	70581	2510065	2510066	2513030	2510027	2510027	RH	2510071	70402	CCW	BDP-21L-402
BDP-21L-403	70581	2510065	2510066	2513030	2510027	2510027	RH	70407	70402	CCW	BDP-21L-403
BDP-21L-404	70581	2510065	70469	2513030	2510034	2510034	RH	70470	70403	CCW	BDP-21L-404
BDP-21L-405	70581	2510065	70649	2513030	2510067	2510027	RH	2510071	70402	CCW	BDP-21L-405
BDP-21L-600	70581	2510065	2510070	2513031	2510067	2510067	LH	70472	70471	CW	BDP-21L-600
BDP-21L-601	70581	2510065	2510069	2513030	2510027	2510027	LH	2510074	2510061	CW	BDP-21L-601
BDP-21L-602	70581	2510065	2510069	2513030	2510027	2510027	LH	70387	2510081	CW	BDP-21L-602
BDP-21L-700	70581	2510065	2510070	2513030	2510062	2510062	RH	2510074	2510061	CW	BDP-21L-700
BDP-21L-701	70581	2510065	2510069	2513030	2510027	2510027	RH	70472	70471	CW	BDP-21L-701
BDP-21L-801	70581	2510065	70648	2513030	2510027	2510067	LH	70472	70471	CCW	BDP-21L-801
BDP-21L-900	70581	2510065	2510069	2513030	2510050	2510027	RH	2510075	2510061	CCW	BDP-21L-900
BDP-21L-901	70581	2510065	2510070	2513030	2510067	2510067	RH	2510075	2510061	CCW	BDP-21L-901
BDP-21L-902	70581	2510065	2510070	2513030	2510067	2510067	RH	70387	2510081	CCW	BDP-21L-902
BDP-21L-903	70581	2510065	2510069	2513030	2510027	2510027	RH	70472	70471	CCW	BDP-21L-903
BDP-21L-904	70581	2510065	2510069	2513030	2510050	2510062	RH	2510075	2510061	CCW	BDP-21L-904

## BDP-21L

ITEM #	HYDRO-GEAR PART #	DESCRIPTION
1	70580	KIT PUMP SHAFT (.19T SPLINE)
	70581	KIT PUMP SHAFT (CLOSED KEY)
	70578	KIT PUMP SHAFT (THRU SHAFT)
	2510091	PUMP SHAFT KIT (TAPERED THRU SHAFT)
	70647	PUMP SHAFT KIT (SHAFT - THRU PUMP)
3	2000038	RETAINING RING
4	2000023	SPACER
5	2000032	SHAFT BALL BEARING
6	51092	LIP SEAL 17 X 47 X 8 PTCN1
10	50574	TRUNNION SEAL RETAINING RING
12	2000037	LIP SEAL 15 X 27 X 7
13	2000014	TRUNNION ARM
14	2000015	SLOT GUIDE
15	2510065	HOUSING KIT
17	50552	THRUST BALL BEARING ASSEMBLY
19	2000024	BLOCK THRUST WASHER
20	2000025	BLOCK SPRING
25	2510066	END CAP KIT (W/ POPPETS)
	70469	END CAP KIT (W/ POPPETS, .078" COOLING ORIFICE)
	2510068	END CAP KIT (W/SCR'S)
	2510069	END CAP KIT (AUX. W/ POPPETS)
	2510070	END CAP KIT (AUX. W/ SCR'S)
	70648	END CAP KIT (AUX W/LH:SCR AND RH: POPPET)
	70649	END CAP KIT (W/LH: POPPET AND RH: SCR)
26	50641	PIN
28	50381	O-RING
29	50619	VALVE PLATE
31	50203	VARIABLE SWASHPLATE
38	70080	CYLINDER BLOCK KIT
39	9004100-1430	O-RING
	51016	R-RING -144
40	2510071	CHARGE PUMP KIT (.19 STD SPLINED)
	70407	CHARGE PUMP KIT (.13 STD SPLINED)
	2510080	CHARGE PUMP KIT (.13 STD THRU SHAFT)
	70470	CHARGE PUMP KIT (.13 STD SPLINE, CLEAR ZINC COVER)
	2510074	CHARGE PUMP KIT (CW - SPLINED AUX, 40-70 PSI)
	70389	CHARGE PUMP KIT (CW - SPLINED AUX, 135-165 PSI)
	2510075	CHARGE PUMP KIT (CCW - SPLINED AUX, 40-70 PSI)
	70387	CHARGE PUMP KIT (AL AUX, 7/16 SAE PORT, 40-70 PSI)
	70472	CHARGE PUMP KIT (AL AUX, 7/16 SAE PORT, (75-105 PSI)

ITEM #	HYDRO-GEAR PART #	DESCRIPTION
41	50406	GEROTOR ASSEMBLY (.19 cu.in./rev)
	50761	AUX GEROTOR & HSG ASSEMBLY (0.19 cu.in./rev)
	50656	GEROTOR ASSEMBLY (.13 cu.in./rev)
42	2510027	CHECK VALVE KIT (.031")
	2510034	CHECK VALVE KIT (.044")
	2510050	CHECK VALVE KIT (BLANK)
	2510067	SYSTEM CHECK/RELIEF KIT
44	2510061	CHARGE RELIEF KIT (W/ 1/2 SAE VALVE PLUG, 40-70 PSI)
	70388	CHARGE RELIEF KIT (W/ 1/2 SAE VALVE PLUG, 135-165 PSI)
	2510081	CHARGE RELIEF KIT (W/ 9/16 SAE VALVE PLUG)
	70471	CHARGE RELIEF KIT (W/ 9/16 SAE VALVE PLUG, 75-105 PSI)
	70402	CHARGE RELIEF KIT (1/4 PLASTIC BALL & 2000029 SPRING)
	70403	CHARGE RELIEF KIT (1/4 PLASTIC BALL & 50654 SPRING)
45	2510082	AUX RELIEF VALVE KIT
49	2510020	AUX BYPASS/CHECK KIT
50	2513030	BYPASS VALVE KIT (BLANK)
	2513031	BYPASS VALVE KIT (.031")
54	2510090	AUXILIARY FILTER KIT
56	9007200-3116	HEX SCREW, 5/16-18 x 1.0
	9007200-3123	HEX HD CAP SCREW, 5/16-18 x 1.38
	51055	FLANGE HD SCREW, 5/16-18 x 2.5
58	50633	HEX SCREW, FLANGED HEAD
59	50634	HEX FLANGE NUT
69	50408	PIN
85	2510073	OVERHAUL SEAL KIT

