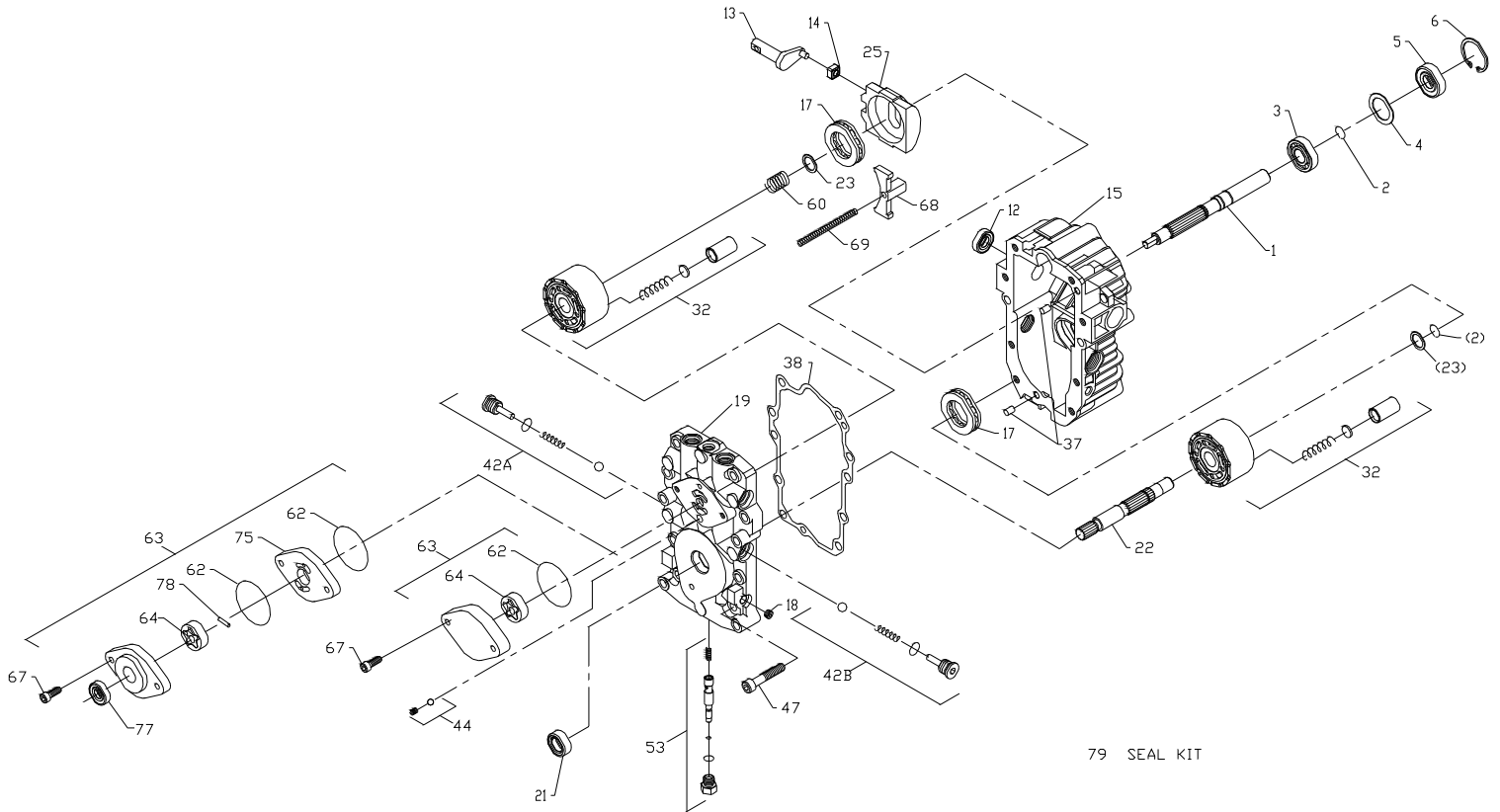


BDU-10L



79 SEAL KIT

BDU-10L

| MODEL NUMBER | PUMP SHAFT (ITEM #1) | MOTOR SHAFT (ITEM #22) | HOUSING (KIT #15) | CENTER SECTION (KIT #19) | BYPASS VALVE (KIT #53) | CHECK VALVE (LH) (KIT #42B) | CHECK VALVE (RH) (KIT #42A) | CHARGE PUMP (KIT #63) | TRUN- NION ARM | INA | INPUT ROTA- TION | MODEL NUMBER |
|---------------|----------------------|------------------------|-------------------|--------------------------|------------------------|-----------------------------|-----------------------------|-----------------------|----------------|-----|------------------|--------------|
| BDU-10L-110 | 2003020 | 2003032 | 2513020 | 2513006 | 2513011 | 2510008 | 2510008 | 2513027 | LH | NO | CCW | BDU-10L-110 |
| BDU-10L-111 | 2003020 | 2003032 | 2513020 | 2513006 | 2513011 | 2510008 | 2510008 | 2513027 | LH | NO | CW | BDU-10L-111 |
| BDU-10L-112 | 2003020 | 2003034 | 2513020 | 2513006 | 2513011 | 2510008 | 2510008 | 2513027 | LH | NO | CCW | BDU-10L-112 |
| BDU-10L-113 | 2003020 | 2003032 | 2513023 | 2513006 | 2513025 | 2510008 | 2510008 | 2513027 | LH | YES | CCW | BDU-10L-113 |
| BDU-10L-114 | 2003020 | 2003032 | 2513020 | 2513006 | 2513011 | 2510008 | 2510008 | 2513027 | LH | NO | CCW | BDU-10L-114 |
| BDU-10L-115 | 2003020 | 2003032 | 2513020 | 2513006 | 2513025 | 2510008 | 2510008 | 2513027 | LH | NO | CW | BDU-10L-115 |
| BDU-10L-117 | 2003020 | 2003032 | 2513020 | 2513006 | 2513011 | 2510027 | 2510027 | 2513027 | LH | NO | CCW | BDU-10L-117 |
| BDU-10L-118 | 50158 | 2003034 | 2513035 | 2513006 | 2513011 | 2510027 | 2510027 | 2513027 | LH | NO | CCW | BDU-10L-118 |
| BDU-10L-119 | 2003020 | 2003032 | 2513020 | 2513006 | 2513011 | 2510027 | 2510027 | 2513027 | LH | NO | CW | BDU-10L-119 |
| BDU-10L-120 | 2003020 | 2003032 | 2513023 | 2513006 | 2513011 | 2510008 | 2510027 | 2513027 | LH | YES | CCW | BDU-10L-120 |
| BDU-10L-121 | 2003020 | 2003032 | 2513020 | 2513006 | 2513011 | 2510034 | 2510050 | 2513027 | LH | NO | CCW | BDU-10L-121 |
| BDU-10L-122 | 50158 | 2003034 | 2513035 | 2513040 | 2513011 | 2510050 | 2510027 | 2513027 | LH | NO | CCW | BDU-10L-122 |
| BDU-10L-123 | 2003020 | 2003032 | 2513020 | 2513006 | 2513011 | 2510027 | 2510034 | 2513027 | LH | NO | CW | BDU-10L-123 |
| BDU-10L-124 | 2003020 | 2003032 | 2513020 | 2513006 | 2513011 | 2510008 | 2510027 | 2513027 | LH | NO | CW | BDU-10L-124 |
| BDU-10L-210 | 2003020 | 2003032 | 2513003 | 2513006 | 2513011 | 2510008 | 2510008 | 2513027 | RH | NO | CCW | BDU-10L-210 |
| BDU-10L-211 | 2003020 | 2003032 | 2513003 | 2513006 | 2513011 | 2510008 | 2510008 | 2513027 | RH | NO | CW | BDU-10L-211 |
| BDU-10L-212 | 2003020 | 2003032 | 2513003 | 2513006 | 2513025 | 2510008 | 2510008 | 2513027 | RH | NO | CW | BDU-10L-212 |
| BDU-10L-213 | 2003020 | 2003032 | 2513022 | 2513006 | 2513011 | 2510008 | 2510008 | 2513027 | RH | YES | CW | BDU-10L-213 |
| BDU-10L-214 | 2003020 | 2003032 | 2513003 | 2513006 | 2513025 | 2510008 | 2510008 | 2513027 | RH | NO | CCW | BDU-10L-214 |
| BDU-10L-216 | 2003020 | 2003032 | 2513003 | 2513006 | 2513011 | 2510027 | 2510027 | 2513027 | RH | NO | CCW | BDU-10L-216 |
| BDU-10L-217 | 2003020 | 2003032 | 2513021 | 2513006 | 2513011 | 2510008 | 2510062 | 2513027 | RH | YES | CW | BDU-10L-217 |
| BDU-10L-218 | 2003020 | 2003032 | 2513003 | 2513006 | 2513011 | 2510008 | 2510027 | 2513027 | RH | NO | CW | BDU-10L-218 |
| BDU-10L-220 | 2003020 | 2003032 | 2513022 | 2513006 | 2513011 | 2510008 | 2510008 | 2513027 | RH | YES | CW | BDU-10L-220 |
| BDU-10L-221 * | 50185 | 2003034 | 2513036 | 2513037 | NONE | 2510034 | 2510050 | 2513027 | RH | YES | CCW | BDU-10L-221 |
| BDU-10L-222 | 2003020 | 2003032 | 2513003 | 2513006 | 2513011 | 2510027 | 2510008 | 2513027 | RH | NO | CCW | BDU-10L-222 |
| BDU-10L-223 | 2003020 | 2003032 | 2513003 | 2513006 | 2513011 | 2510050 | 2510034 | 2513027 | RH | NO | CW | BDU-10L-223 |
| BDU-10L-224 | 2003020 | 2003032 | 2513003 | 2513006 | 2513011 | 2510034 | 2510027 | 2513027 | RH | NO | CW | BDU-10L-224 |
| BDU-10L-225 | 50158 | 2003034 | 2513036 | 70444 | 2513011 | 2510034 | 2510050 | 2510027 | RH | YES | CCW | BDU-10L-225 |
| BDU-10L-256 | 50087 | 2003034 | 2513003 | 2513026 | 2513011 | 2510027 | 2510008 | 2513028 | RH | NO | CW | BDU-10L-256 |
| BDU-10L-257 | 50087 | 2003034 | 2513003 | 2513026 | 2513011 | 2510027 | 2510027 | 2513028 | RH | NO | CW | BDU-10L-257 |
| BDU-10L-258 | 50087 | 2003034 | 2513003 | 2513039 | 2513011 | 2510027 | 2510008 | 2513028 | RH | NO | CW | BDU-10L-258 |
| BDU-10L-259 | 50087 | 2003034 | 2513003 | 2513039 | 2513011 | 2510027 | 2510027 | 2513028 | RH | NO | CW | BDU-10L-259 |

* - NO MOTOR SHAFT SEAL REQ'D.



BDU-10L

| ITEM # | HYDRO-GEAR PART # | DESCRIPTION |
|--------|-------------------|--|
| 1 | 2003020 | SHAFT - PUMP (BLD KEY, CHG)-A |
| | 50087 | SHAFT - PUMP (16T SPL, 15T P)-D |
| | 50158 | SHAFT - PUMP (16T SPL, CHG)-F |
| | 50185 | SHAFT - PUMP (TAPR KEY, CHG)-E |
| 2 | 2003016 | WIRE RETAINING RING |
| 3 | 2003043 | BALL BEARING |
| 4 | 2003018 | SPACER |
| 5 | 9008000-0128 | SEAL - LIP 15 x 35 x 7 |
| 6 | 2003052 | RETAINING RING |
| 12 | 9008000-0126 | SEAL - LIP 12 x 25 x 7 |
| 13 | 2003005 | TRUNNION ARM |
| 14 | 2000015 | SLOT GUIDE |
| 15 | 2513003 | HOUSING KIT (T-RH; D-R,T) (INCLUDES ITEM #8) |
| | 2513020 | HOUSING KIT (T-LH; D-L,T) " |
| | 2513021 | HOUSING KIT (T-RH; D-L,T; INA) " |
| | 2513022 | HOUSING KIT (T-RH; D-R,T; INA) " |
| | 2513023 | HOUSING KIT (T-LH; D-L,T; INA) " |
| | 2513035 | HOUSING KIT (T-LH; D-R,T) " |
| | 2513036 | HOUSING KIT (T-RH; D-T; INA) " |
| 17 | 50551 | BALL BEARING - THRUST |
| 18 | 9005001-0600 | PLUG, PIPE |
| 19 | 2513006 | CENTER SECTION (7/16 INLET) |
| | 2513026 | CENTER SECTION (9/16 INLET, 256 CHG) |
| | 2513037 | CENTER SECTION (9/16 INLET) |
| | 2513039 | CENTER SECTION (9/16 INLET, 256 CHG) |
| | 2513040 | CENTER SECTION (9/16 INLET) |
| | 70444 | CENTER SECTION KIT (9/16 INLET) |
| 21 | 9008000-0127 | SEAL - LIP 15 x 24 x 7 |
| 22 | 2003032 | SHAFT - MOTOR -A (16T SPLINE W/SNAP RING GROOVE) |
| | 2003033 | SHAFT - MOTOR -C (SERRATION) |
| | 2003034 | SHAFT - MOTOR -B (16T SPLINE) |
| 23 | 2003017 | BLOCK THRUST WASHER |
| 25 | 2003087 | SWASHPLATE |

| ITEM # | HYDRO-GEAR PART # | DESCRIPTION |
|--------|-------------------|---|
| 32 | 70331 | CYLINDER BLOCK KIT |
| 37 | 9004800-2506 | PIN - STRAIGHT HEADLESS |
| 38 | 2003060 | HOUSING GASKET |
| 42 | 2510008 | CHECK VALVE KIT (3/8" BALL) |
| | 2510062 | CHECK VALVE KIT (0.024" ORIFICE) |
| | 2510027 | CHECK VALVE KIT (0.031" ORIFICE) |
| | 2510034 | CHECK VALVE KIT (0.044" ORIFICE) |
| | 2510050 | CHECK VALVE KIT (BLANK) |
| 44 | 2510064 | CHARGE RELIEF VALVE KIT (1/4" STEEL BALL) |
| 47 | 9007314-0810 | SOCKET HEAD SCREW |
| 53 | 2513011 | BYPASS VALVE KIT (STD) |
| | 2513025 | BYPASS VALVE KIT (W/ANNULUS) |
| 62 | 9004101-1340 | O-RING |
| 63 | 2513027 | CHARGE PUMP KIT (STD) |
| | 2513028 | CHARGE PUMP KIT (STD) |
| 64 | 50273 | GEROTOR ASSEMBLY (0.11 cu.in./rev)(D-DRIVE) |
| | 50326 | GEROTOR ASSY. (0.15 cu.in./rev)(PIN DRIVE) |
| 67 | 50095 | SOCKET HEAD CAP SCREW |
| 68 | 2003091 | LEVELER |
| 69 | 2003092 | SPRING - HELICAL COMPRESSION |
| 75 | 50262 | PLATE - SPACER |
| 77 | 50442 | SEAL - LIP .5 x .88 x .25 |
| 78 | 50091 | PIN - HEADLESS |
| 79 | 2513013 | SEAL KIT |