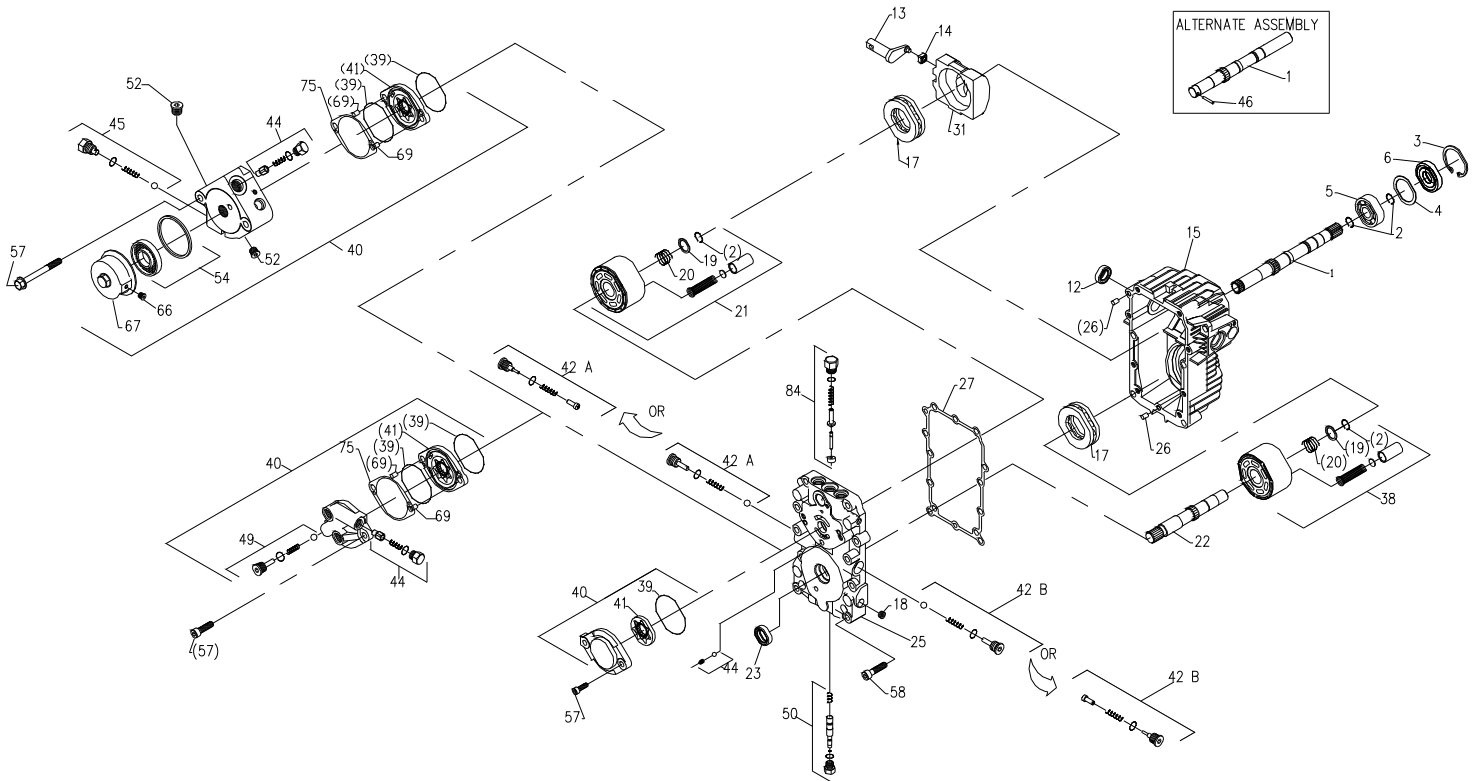


BDU-21L



#85-OVERHAUL SEAL KIT

BDU-21L

MODEL NO.	PUMP SHAFT (ITEM #1)	MOTOR SHAFT (ITEM #22)	HOUSING (KIT #15)	CENTER SECTION (KIT #25)	BYPASS VALVE (KIT #50)	CHECK VALVE(RH) (KIT #42A)	CHECK VALVE(LH) (KIT #42B)	CHARGE PUMP (KIT#40)	CHARGE RELIEF (KIT) #44)	TRUN -NION ARM	INPUT ROTA- TION	MODEL NO.
BDU-21L-110	2000006	2000007	2510043	2510019	2510012	2510008	2510008	2510056	2510011	LH	CCW	BDU-21L-110
BDU-21L-111	2000006	2000007	2510043	2510019	2510012	2510062	2510050	2510056	2510011	LH	CCW	BDU-21L-111
BDU-21L-112	2000006	2000007	2510043	2510047	2510012	2510050	2510027	2510056	2510011	LH	CW	BDU-21L-112
BDU-21L-200	2000006	2000007	2510095	2510019	2510012	2510008	2510008	2510056	2510011	RH	CW	BDU-21L-200
BDU-21L-201	2000006	2000054	2510095	2510019	2510012	2510027	2510027	2510056	2510011	RH	CCW	BDU-21L-201
BDU-21L-202	2000006	2000007	2510095	2510025	2510012	2510008	2510008	2510056	2510011	RH	CW	BDU-21L-202
BDU-21L-204	2000076	2000007	2510096	2510019	2510012	2510050	2510033	2510056	2510011	RH	CCW	BDU-21L-204
BDU-21L-206	2000006	2000007	2510042	2510025	2510012	2510050	2510033	2510056	2510011	RH	CW	BDU-21L-206
BDU-21L-207	2000006	2000007	2510095	2510019	2510012	2510008	2510027	2510056	2510011	RH	CW	BDU-21L-207
BDU-21L-208	2000076	2000007	2510096	2510047	2510012	2510050	2510033	2510056	2510011	RH	CCW	BDU-21L-208
BDU-21L-209	2000006	2000007	2510096	2510047	2510012	2510027	2510050	2510056	2510011	RH	CW	BDU-21L-209
BDU-21L-210	2000006	2000007	2510096	2510047	2510012	2510050	2510027	2510056	2510011	RH	CCW	BDU-21L-210
BDU-21L-300	50815	2000007	2510043	2510023	2510012	2510034	2510008	2510074	2510061	LH	CW	BDU-21L-300
BDU-21L-304	2000077	2000007	2510096	2510023	2510012	2510050	2510033	2510031	2510061	RH	CCW	BDU-21L-304
BDU-21L-305	50815	2000007	2510042	2510048	2510012	2510050	2510033	2510074	2510061	RH	CW	BDU-21L-305
BDU-21L-306	2000077	2000007	2510096	2510049	2510012	2510050	2510033	2510031	2510061	RH	CCW	BDU-21L-306
BDU-21L-310	50815	2000007	2510043	2510023	2510012	2510008	2510008	2510075	2510061	LH	CCW	BDU-21L-310
BDU-21L-311	50815	2000007	2510043	2510023	2510012	2510062	2510050	2510075	2510061	LH	CCW	BDU-21L-311
BDU-21L-501	509206	2000007	2510043	2510098	2510012	2510034	2510050	2510083	2510081	LH	CCW	BDU-21L-501

BDU-21L

ITEM #	HYDRO-GEAR PART #	DESCRIPTION
1	2000006	PUMP SHAFT(BLIND KEY, PIN DRIVE)-C
	2000076	PUMP SHAFT(19T SPLINE,PIN DRIVE)-B
	2000077	PUMP SHAFT(19T SPLINE,PIN DRIVE)-B
	50814	PUMP SHAFT (BLIND KEY, CHG.) -C
	50815	PUMP SHAFT (STD. KEY, CHG.) -A
	50816	PUMP SHAFT (19T SPLINE,CHG.) -B
	50984	PUMP SHAFT (KEY TAPR, CHG.) -D
2	2000022	WIRE RETAINING RING
3	2000038	RETAINING RING
4	2000023	SPACER
5	2000032	SHAFT BALL BEARING
6	51092	LIP SEAL 17 x 47 x 8
12	2000037	LIP SEAL 15 x 27 x 7
13	2000014	TRUNNION ARM
14	2000015	SLOT GUIDE
15	2510042	TRANS. HOUSING KIT(T-RH,JD-LH,D-TOP)
	2510043	TRANS. HOUSING KIT(T-LH,TD-RH/TOP)
	2510095	TRANS. HOUSING KIT(T-RH,JD-LH)
	2510096	TRANS. HOUSING KIT(T-RH,TD-LH)
	2510097	TRANS. HOUSING KIT(T-LH,TD-RH/TOP)
17	50552	THRUST BALL BEARING ASSEMBLY
18	9005001-0600	PLUG, PIPE, HEX SOCKET
19	2000024	BLOCK THRUST WASHER
20	2000025	BLOCK SPRING
21	2510014	CYL. BLOCK KIT (PUMP)
22	2000007	MOTOR SHAFT -A
	20000054	MOTOR SHAFT -B
23	9008000-0124	LIP SEAL 20 x 30 x 7 TC
25	2510019	CENTER SECTION KIT
	2510023	CENTER SECTION KIT
	2510025	CENTER SECTION KIT(EASY RIDE)
	2510047	CENTER SECTION KIT
	2510048	CENTER SECTION KIT(EASY RIDE)
	2510049	CENTER SECTION KIT
	2510098	CENTER SECTION KIT
26	50641	PIN
27	20000061	CENTER SECTION GASKET
31	50203	VARIABLE SWASHPLATE
38	2510013	CYL. BLOCK KIT(MOTOR)
39	9004100-1430	O RING

ITEM #	HYDRO-GEAR PART #	DESCRIPTION
40	2510022	CHARGE PUMP KIT -CW (PIN DR.)
	2510031	-CCW (PIN DR.)
	2510056	-STD (PIN DRIVE)
	2510074	-CW (SPLINED)
	2510075	-CCW (SPLINED)
	2510083	-1.19 AL AUX (SPLINED)
41	2000047	GEROTOR & HOUSING ASSEMBLY (AUX CHG - PINNED)
	50761	GEROTOR & HOUSING ASSEMBLY (AUX CHG - SPLINED)
	J1030731	GEROTOR ASSEMBLY (2.2cc/rev) (STD CHG - PINNED)
	50656	GEROTOR ASSEMBLY (2.2cc/rev) (STD CHG - SPLINED)
42	2510008	CHECK VALVE KIT 1/4" BALL
	2510027	CHECK VALVE KIT (0.031" ORIFICE)
	2510033	(0.088" ORIFICE)
	2510034	(0.044" ORIFICE)
	2510050	(BLANK)
	2510062	(0.024" ORIFICE)
44	2510081	CHARGE RELIEF KIT -AL AUX.(9/16 SAE VALVE PLUG)
	2510011	CHARGE RELIEF KIT -STD CHARGE
	2510061	CHARGE RELIEF KIT -CAST AUX (1/2 SAE VALVE PLUG)
45	2510082	AUX RELIEF VALVE KIT
46	9004875-0112	SPECIAL PIN (PINNED AUX)
	9004800-1213	PIN - STD HEADLESS (PINNED STD CHG)
49	2510020	AUX BYPASS/CHECK KIT
50	2510012	BYPASS VALVE KIT
52	9005110-4400	PLUG 7/16-20 (METAL)
54	2510090	AUXILIARY FILTER KIT
57	9007314-0805	CAP SCREW, SOCKET HEAD (STD CHARGE)
	9007314-0807	CAP SCREW, SOCKET HEAD (CAST IRON AUX)
	50969	FLANGE HD SCREW, M8 x 60 (AL AUX)
58	9007314-0808	SOC. HD CAP SCREW M8 x 35
66	9005110-3100	PLUG 5/16-24 SAE
67	50994	FILTER COVER
69	50408	PIN
75	2000044	CHARGE PUMP SHIM
84	2510021	EASY RIDE KIT
85	2510010	OVERHAUL SEAL KIT

