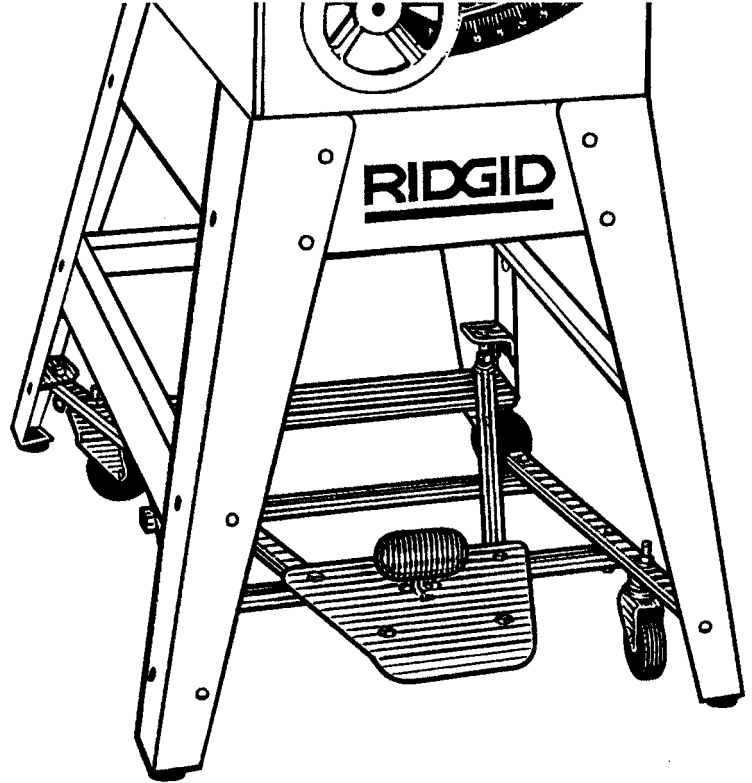


RIDGID®

AC9920 OWNER'S MANUAL



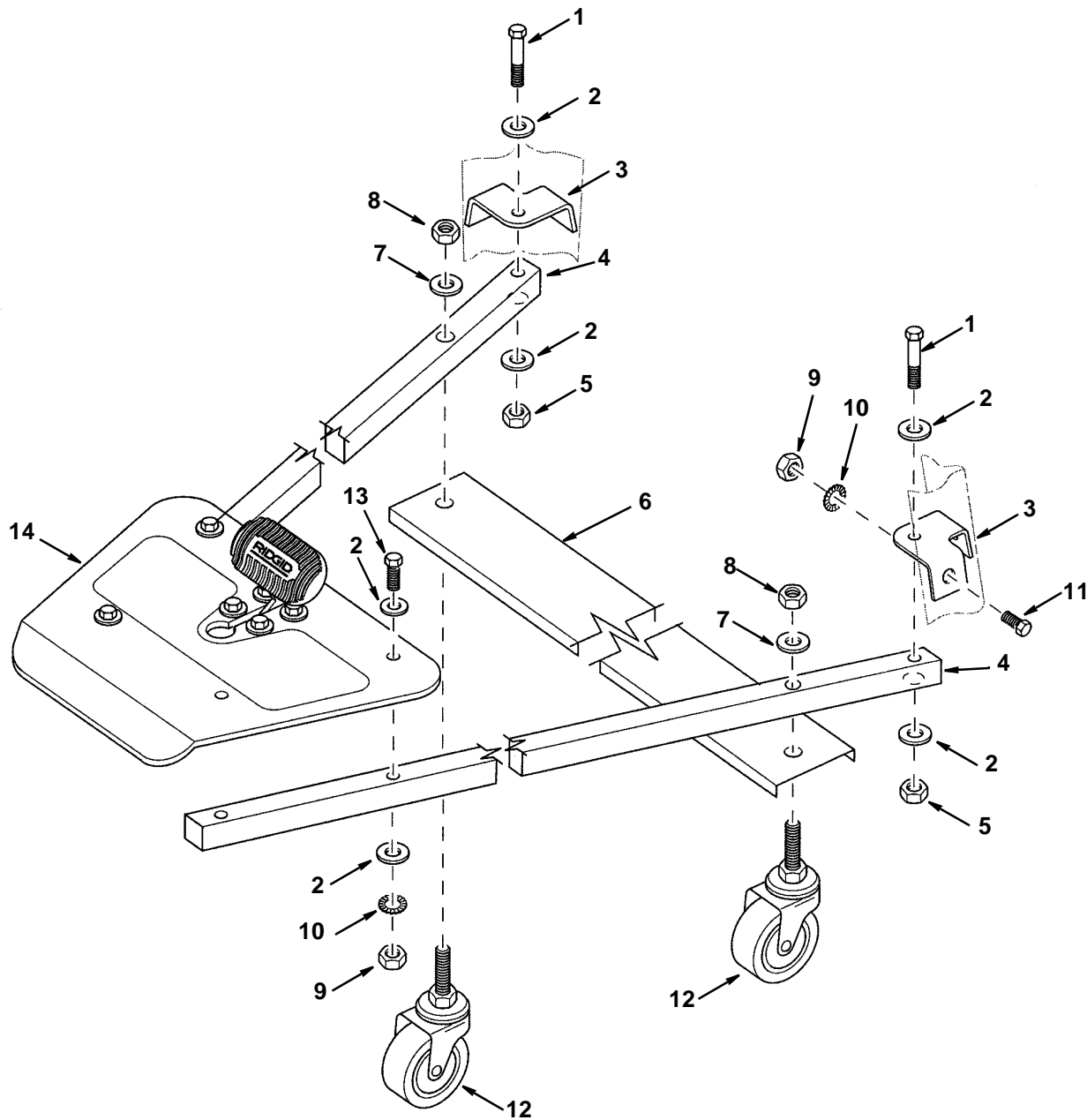
■ Use With Model TS24120, TS24121 and TS24240
RIDGID Table Saw

• Repair Parts

For Your Safety:
Read all instructions carefully

QUESTIONS OR COMMENTS?
CALL 1-800-4-RIDGID
www.ridgidwoodworking.com

Parts List for Herc-U-Lift™ Caster Set
Model No. AC99200
 RIDGID parts are available on-line at www.ridgidparts.com
Figure 1- Upper Assembly



Always order by Part Number - Not by Key Number

Key No.	Part No.	Description
1	827849	Screw Special 1/4-20 x 1-5/8
2	147579	* Washer 1/4 x 9/16 x 1/16
3	827843	Bracket Leg
4	827829	Tube Rear; 27" Long
5	60246	Nut Lock 1/4-20
6	827844	Channel Rear
7	805559	* Washer .462 x 47/64 x 1/16

Key No.	Part No.	Description
8	271500	Nut Hex 7/16-14
9	115120	* Nut Hex 1/4-20
10	115109	* Lockwasher 1/4
11	805461-2	* Screw Hex Hd 1/4-20 x 1/2
12	827851	Caster Swivel 3"
13	60206	* Screw 1/4-20 x 1-1/2
14	—	Plate Asm (See Fig 3)

* Standard Hardware Item - May be purchased locally.

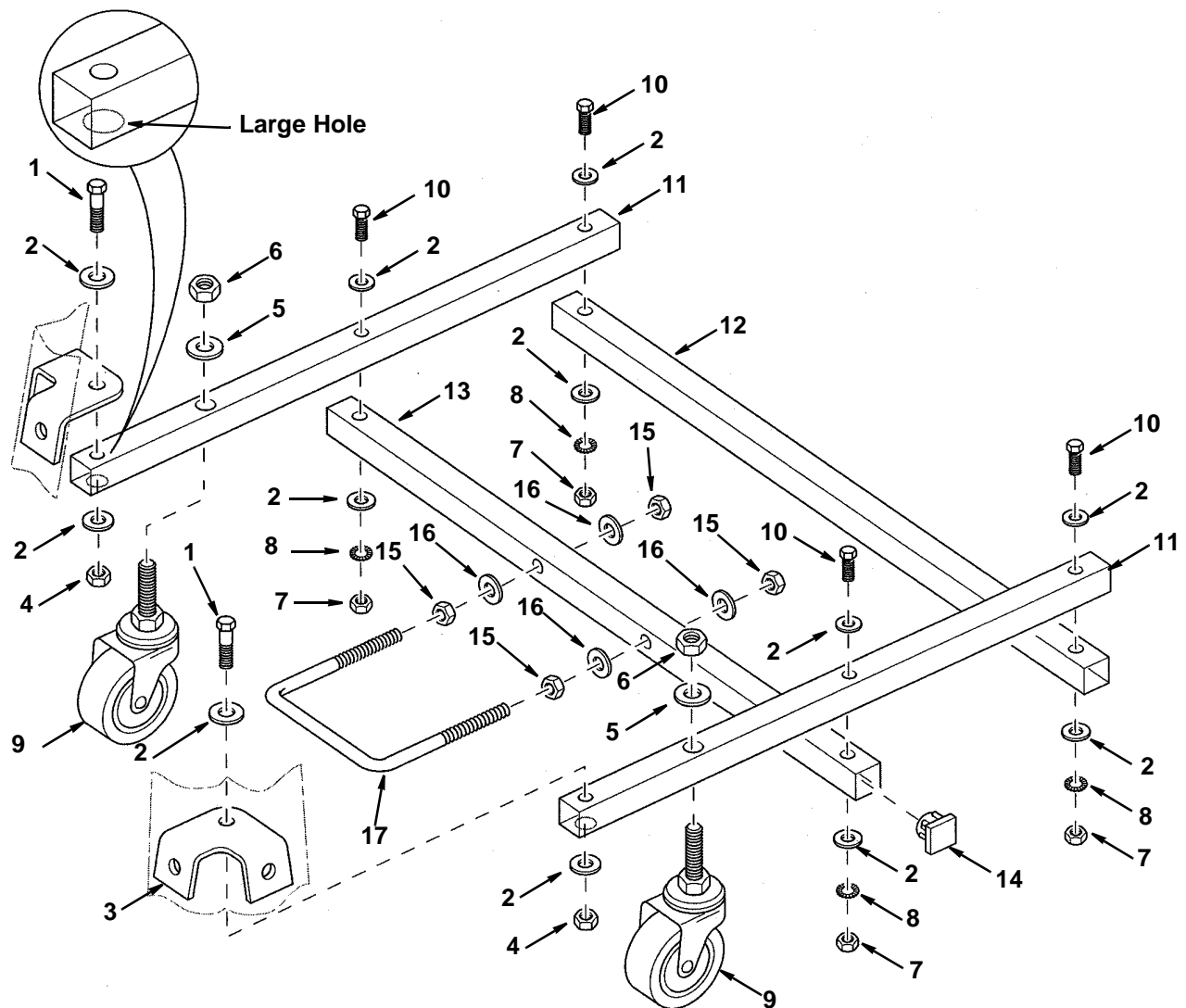
Repair Parts

Parts List for Herc-U-Lift™ Caster Set

Model No. AC99200

RIDGID parts are available on-line at www.ridgidparts.com

Figure 2- Lower Assembly



Always order by Part Number - Not by Key Number

Key No.	Part No.	Description
1	827849	Screw Special 1/4-20 x 1-5/8
2	147579	* Washer 1/4 x 9/16 x 1/16
3	827843	Bracket Leg
4	60246	Nut Lock 1/4-20
5	805559	Washer .462 x 47/64 x 1/16
6	271500	Nut Hex 7/16-14
7	115120	* Nut Hex 1/4-20
8	115109	* Lockwasher 1/4
9	827851	Caster Swivel 3"
10	805461-3	* Screw 1/4-20 x 2

Key No.	Part No.	Description
11	827834	Tube Front; 13-7/8" Long
12	827835	Tube Support; 17-1/4" Long
13	827836	Tube U Bolt; 19-5/8" Long
14	827850	Plug
15	805583	Nut Jam 5/16-18
16	805553-28	* Washer 21/64 x 25/32 x 1/8
17	827837	Bolt U
-	827838	Bag Asm, Loose Parts
-	827853	Bag Asm, Loose Parts Contains 827838 Bag

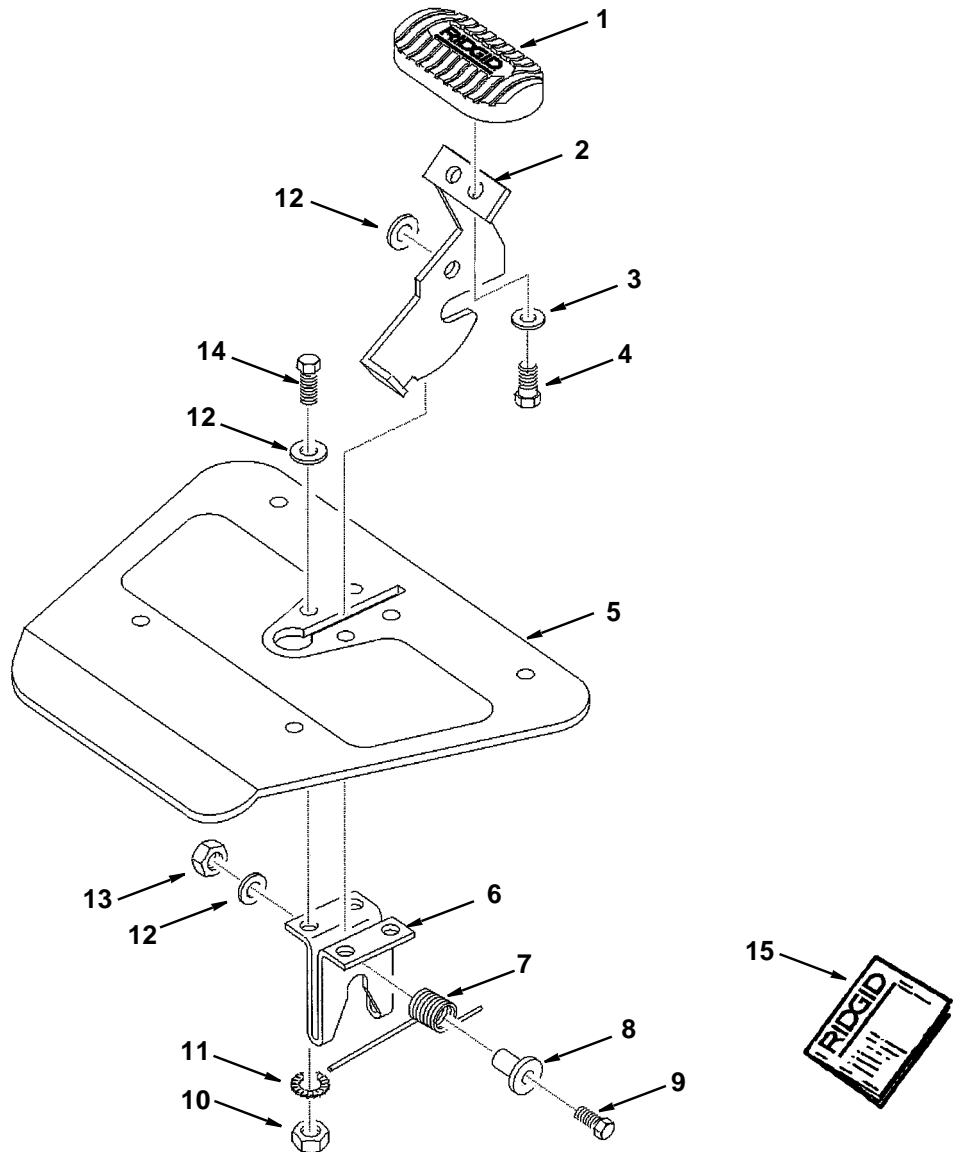
* Standard Hardware Item - May be purchased locally.

Parts List for Herc-U-Lift™ Caster Set

Model No. AC99200

RIDGID parts are available on-line at www.ridgidparts.com

Figure 3- Plate Assembly

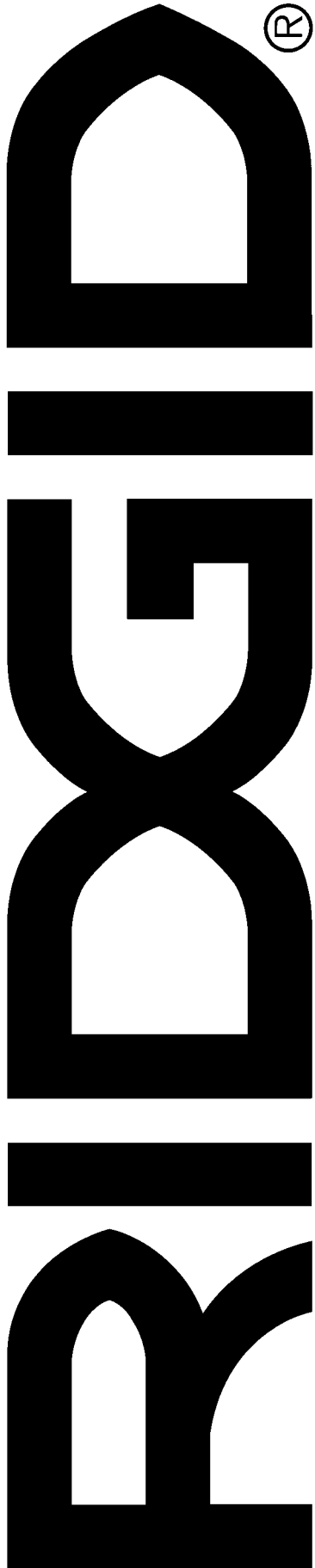


Always order by Part Number - Not by Key Number

Key No.	Part No.	Description
1	827848	Foot Pedal
2	827847	Latch Cam
3	805550-2	* Washer 7/32 x 7/16 x 1/16
4	806742	* Screw Pan Hd Ty AB N10 x 1/2
5	827845	Plate Foot
6	827846	Bracket Latch
7	827832	Spring Torsion
8	827833	Bushing Mandrel

Key No.	Part No.	Description
9	827849	Screw Special 1/4-20 x 1-5/8
10	115120	* Nut Hex 1/4-20
11	115109	* Lockwasher 1/4
12	147579	* Washer 1/4 x 9/16 x 1/16
13	60246	Nut Lock 1/4-20
14	179793	* Screw Hex Hd 1/4-20 x 5/8
15	SP6249	Owners Manual

* Standard Hardware Item - May be purchased locally.



Lifetime Warranty On RIDGID Tools

The RIDGID REPUTATION is the result of the consistent product quality and years of pride in workmanship. Rigorous checks and controls from raw materials to packaged products insure product confidence widely accepted as the mark of the professional trades. Therefore, RIDGID covers its products with a LIFETIME WARRANTY against defects in material or workmanship. To take advantage of this warranty, the complete product must be delivered prepaid to any RIDGID AUTHORIZED SERVICE CENTER. Obviously, failures due to misuse, abuse or normal wear and tear are not covered by this warranty. NO OTHER WARRANTY, WRITTEN OR ORAL, APPLIES. No employee, agent, dealer or other person is authorized to give any warranty on behalf of RIDGID Power Tools, Emerson Electric Co. Warranted products will be repaired or replaced, at our option, at no charge to you and returned to you via prepaid transportation. Such replacement or repair is the exclusive remedy available from RIDGID Power Tools, Emerson Electric Co. Emerson Electric Co. is not liable for damage of any sort, including incidental and consequential damages. Some U.S.A. states do not allow the exclusion or limitation of incidental or consequential damages, so the above limitation or exclusion may not apply. This warranty gives you specific legal rights, and you may have other rights which vary from state to state.

Stock No. AC9920

Model No. AC99200

The model and serial number may be found on the plate foot.

You should record both model and serial number in a safe place for future use.

QUESTIONS OR COMMENTS?

CALL 1-800-4-RIDGID

www.ridgidwoodworking.com



RIDGID Power Tools
Emerson Electric Co.

© 1999 Emerson Electric Co.

Part No. SP6249

Form No. SP6249

Printed in Taiwan 9/99