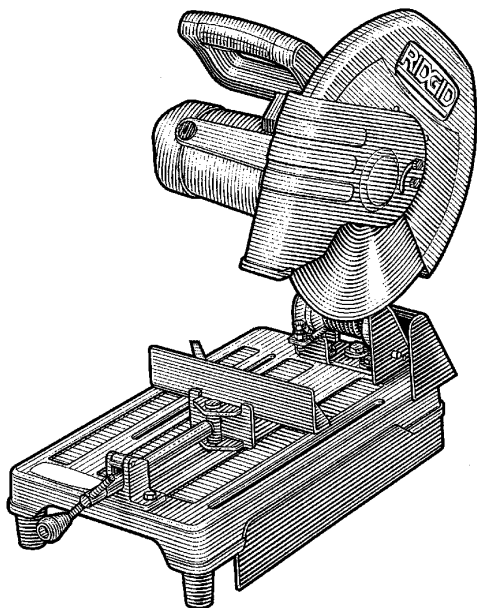


IRID®

CM1450 OPERATOR'S MANUAL



14 INCH ABRASIVE CUT-OFF MACHINE

⚠ WARNING: To reduce the risk of injury, the user must read and understand the operator's manual before using this product.

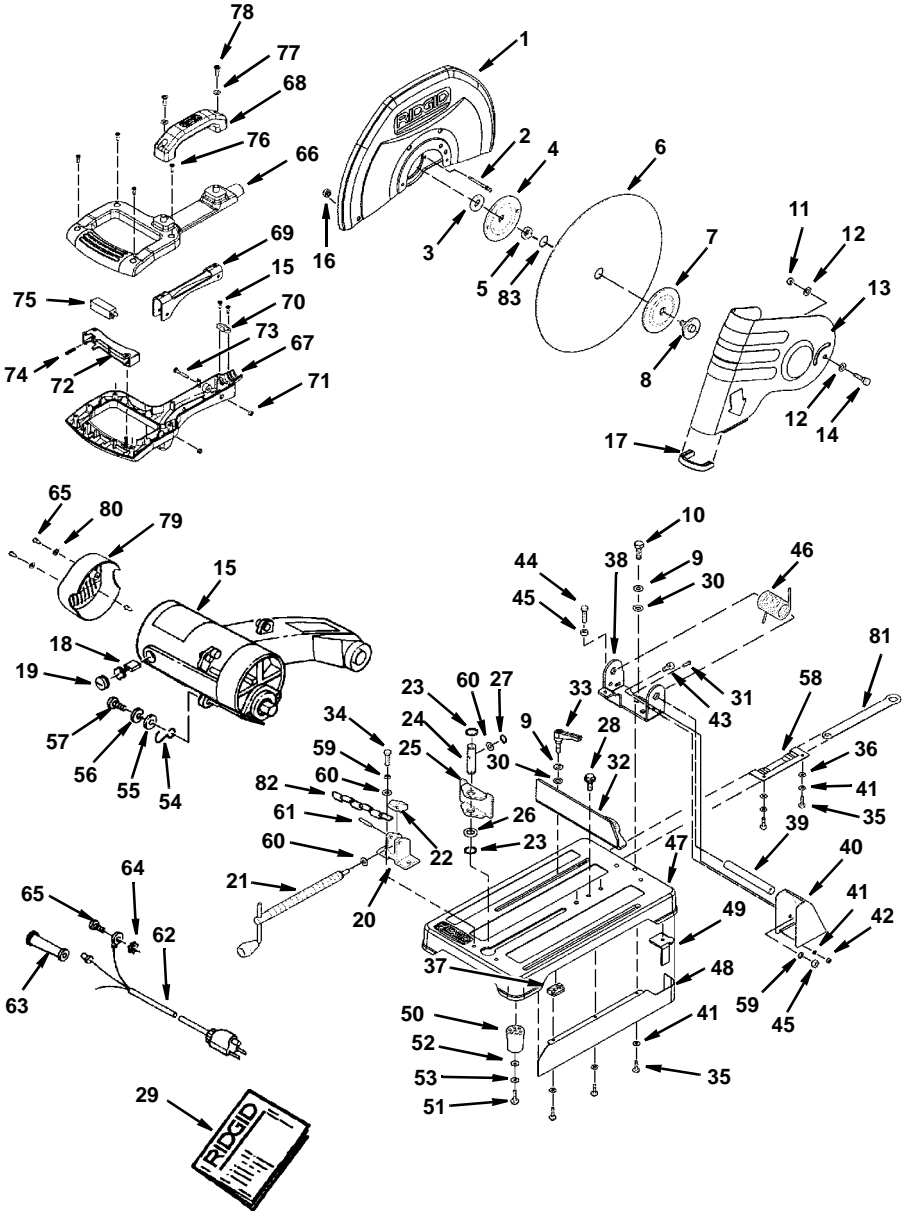
**SAVE THIS MANUAL FOR
FUTURE REFERENCE**

Repair Parts

Parts List for RIDGID 14" High Speed Abrasive Cut-Off Machine Model No. CM14500

RIDGID parts are available on-line at www.ridgidparts.com

Figure 1



Repair Parts

Parts List for RIDGID 14" High Speed Abrasive Cut-Off Machine Model No. CM14500

RIDGID parts are available on-line at www.ridgidparts.com

Figure 1

Always order by part number - not by key number

Key No.	Part No.	Description	Key No.	Part No.	Description
1	829518	Upper Guard	43	820239-5	* Screw Soc Hd M8 x 1.25-15
2	10251002	* Pan Hd Screw M5 x 0.8 x 60	44	10011006	* Screw Hex Hd M8 x 1.25-30
3	A0338	Spacer	45	824026-7	* Nut Hex M8
4	A0339	Flange Inner	46	A0345	Spring
5	A0340	Outer Spacer	47	829547	Base
6	21010001	* Wheel Abrasive	48	829548	Guard Blade
7	A0341	Flange Outer	49	829549	Pad Support
8	829551	* Screw, Arbor	50	A0361	Pad Rubber
9	12021002	* Lockwasher M10	51	820244-1	* Screw Pan Hd M6 x 25 x 1.0
10	10011003	* Hex Hd Screw M10 x 1.5 x 25	52	820238-4	* Washer Flat M6
11	11071001	* Nut Lock M6 x 1	53	820383-5	* Washer Lock M6
12	829524	Washer Fiber	54	A0386	Hook, Chain
13	829525	Guard Lower	55	14759	* Washer 1/4
14	829526	Bolt Shoulder	56	12021702	* Lockwasher 1/4
15	829731	Motor Asm (Includes Key 18, 19, 65, 79, 80)	57	809491-1	* Screw Pan Hd 1/4-20 x 1/2
16	829528	Pad Guard	58	829555	Holder Tool
17	829557	Protector	59	820383-6	* Lockwasher M8
18	A0351	Brush	60	821063-1	* Washer Flat M8
19	A0352	Cap Brush	61	14011006	* Pin Spring M6 x 32
20	J0099	Support	62	A0355	Cord Power
21	20332	Screw w/Handle	63	A0354	Guard Cord
22	A0385	Nut Thread	64	820241-4	* Lockwasher Ext M5
23	20333	Ring Retaining	65	820240-6	* Screw Pan Hd M5 x 0.8-12
24	A0356	Pin	66	829562	Handle Upper
25	A0357	Jaw Vise	67	829563	Handle Lower
26	12011006	Washer Flat M16.5	68	828720	Handle Carry
27	20335	Ring Retaining	69	829564	Hanger Handle
28	829536	Screw Vise Pivot M10 x 1.5-65	70	20324	Clamp Wire
29	SP6450	Operator's Manual	71	824026-5	* Nut Hex M5
30	12011009	* Washer Flat M10	72	828717	Actuator Switch
31	816755-2	* Screw Pan Hd M5 x 0.18 x 15	73	820240-9	* Screw Pan Hd M5 x 0.8-37
32	829537	Fence Pivot Plate	74	826053	Spring
33	829538	Handle Asm	75	826066	Switch
34	813310-1	* Screw Hex Hd M8 x 25 x 1.25	76	820248-3	* Screw Pan Hd M4 x 1.4-16
35	813313	* Screw Pan Cr M5 x 0.8-12	77	820383-5	* Lockwasher M6
36	820237-6	* Washer Flat M5 x 11.5	78	820244-7	* Screw Pan Hd M5 x 1-55
37	829542	Nut Tee	79	829566	Cover End
38	829543	Support	80	12021005	* Lockwasher M5
39	A0359	Shaft	81	829556	Wrench
40	A0604	Cover	82	0502025001	Chain
41	820383-4	* Lockwasher M5	83	829553	O-Ring
42	11012001	* Nut Hex M5			

* Standard Hardware Item - may be purchased at your nearest RIDGID Dealer.

Wiring Diagram

