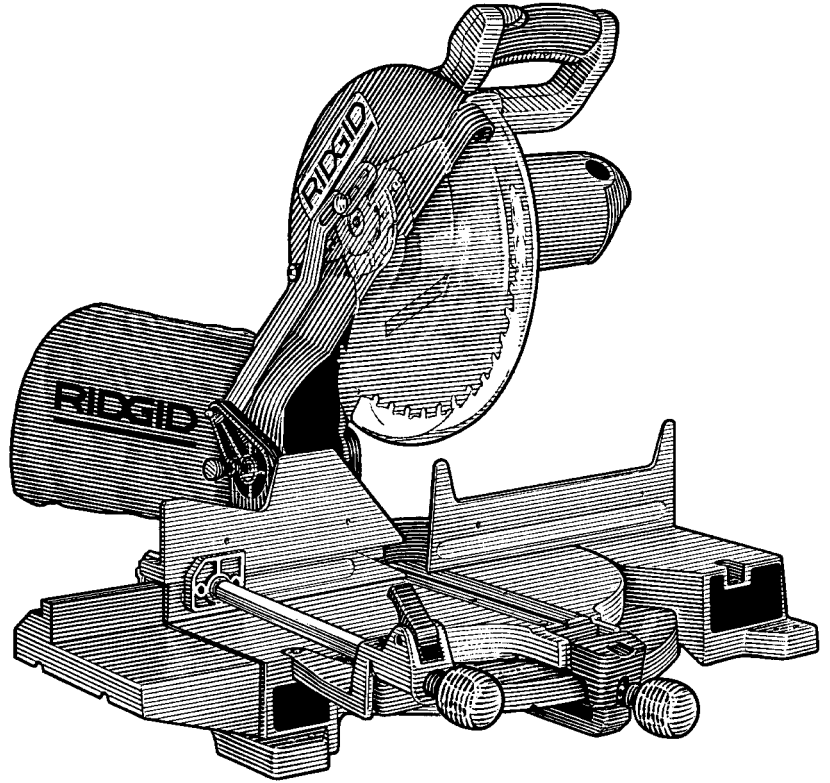


RIDGID®

MS1250 OWNER'S MANUAL



12 INCH COMPOUND MITER SAW

Call Us 1st

For any questions about:

- **Operation**
- **Warranty** (See back cover)
- **Technical Assistance**
- **Repair Parts**

at: **1-800-4 RIDGID**

M-F 7:30 a.m. - 5:30 p.m.

Sat. 8 a.m. - 3 p.m.(CST),

Or online at:

www.ridgidwoodworking.com

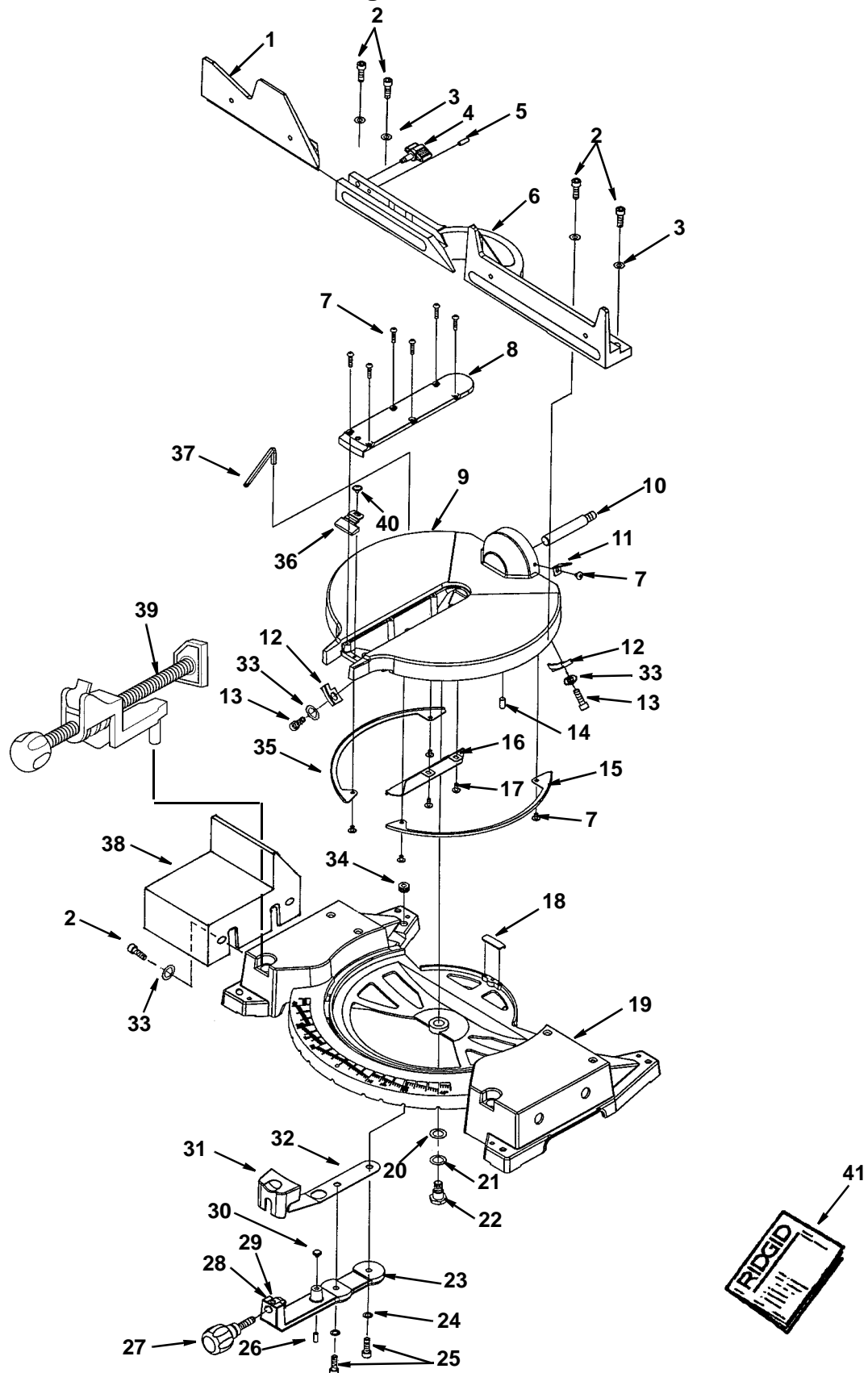
www.ridgidparts.com
(parts only)

For Your Safety:
Read all instructions carefully

Parts List For RIDGID 12" Compound Miter Saw Model No. MS12501

RIDGID parts are available on-line at www.ridgidparts.com

Figure 1



Repair Parts

Parts List For RIDGID 12" Compound Miter Saw Model No. MS12501

RIDGID parts are available on-line at www.ridgidparts.com

Figure 1

Always order by part number - not by key number

Key No.	Part No.	Description	Key No.	Part No.	Description
1	828102	Fence Sliding	23	828106	Arm Miter
2	141594-17	Screw Soc Cap 5/16-18 x 1	24	140785-6	*Lockwasher Int. Tooth 5/16"
3	821063-6	*Washer 8 x 16 x 1.2	25	9421622	*Screw Soc Cap 5/16-18 x 3/4
4	827439	Knob Fence	26	828040-1	Screw Set Lock M6 x 1.0-16
5	820244-6	*Screw Pan Hd M6 x 1.0 x 18	27	828032	Knob Miter
6	828103	Fence Stationary	28	827886-1	Screw Sems M5-5
7	816755-10	*Screw Pan Hd. M5 x 0.8-8	29	828031	Plate Clamp Miter
8	826886	Plate Throat	30	823356	Shoe Base Front
9	828104	Table	31	828128	Grip Miter Index
10	827434	Shaft Bevel Pivot	32	828029	Spring Miter Index
11	827438	Indicator Bevel	33	821063-6	*Washer 8 x 16 x 1.2
12	826882	Stop Bevel Index	34	823335	Grommet Wrench
13	9421621	*Screw Soc Cap 5/16-18 x 5/8	35	823332	Shoe Right
14	827449	Screw Soc Set Lock M8 x 1.25-16	36	826885	Indicator Miter
15	823331	Shoe Left	37	823492	Wrench Hex "L" 1/4
16	827879	Plate Guard	38	828109	Table Extension
17	827886	Screw Sems M5-10	39	828048	Clamp
18	823361	Shoe Base Rear	40	828119-1	Screw Sems M5-12
19	828105	Base	41	SP6287	Owners Manual
20	828116	Washer Spring 16.3 x 25 x 0.4	-	828050	Bag Asm Ext. Hardware (Not Illustrated)
21	60047	Washer .630 x 1 x 1/32			
22	823355	Bolt Table Pivot			

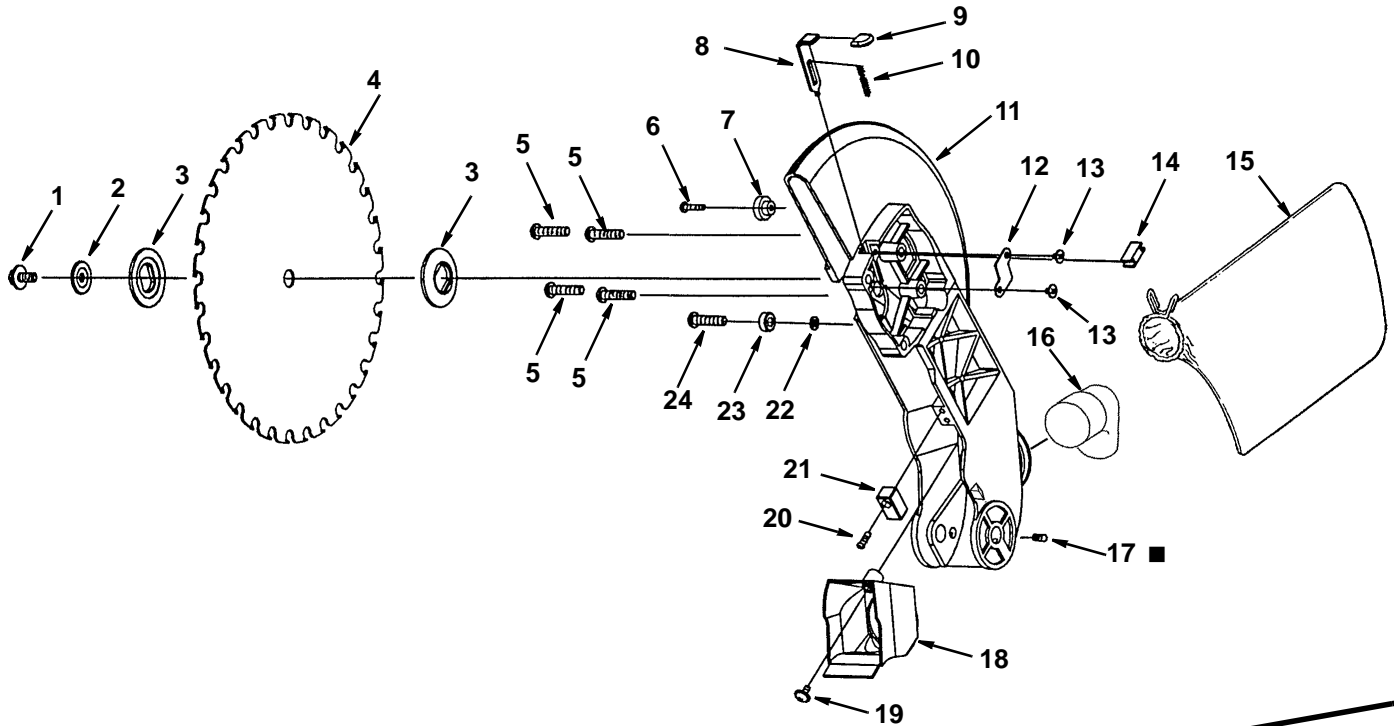
* Standard Hardware Item - May be purchased locally.

Repair Parts

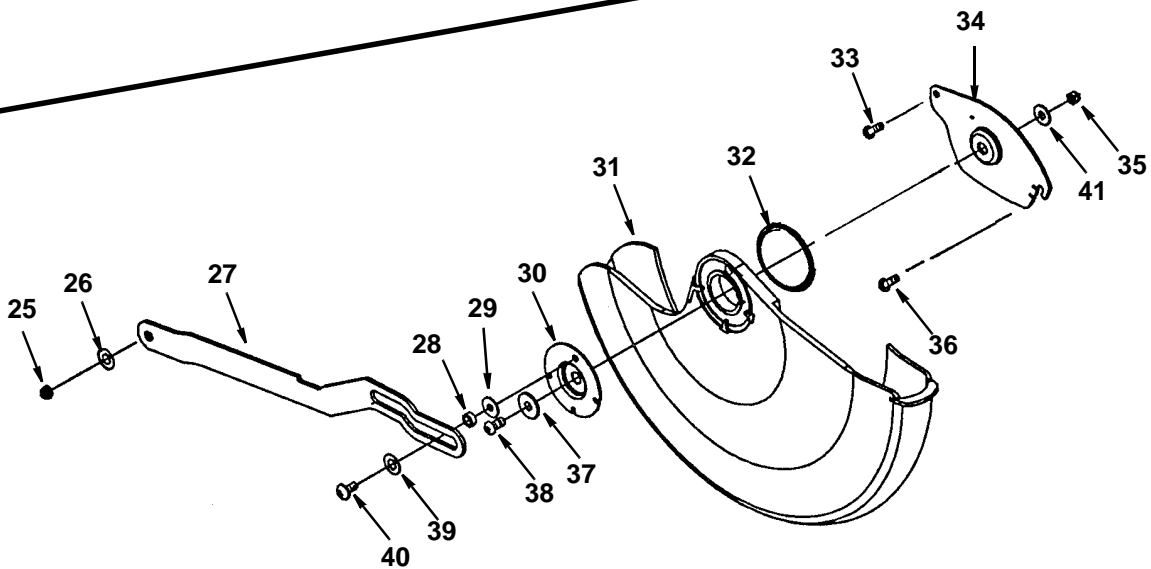
Parts List For RIDGID 12" Compound Miter Saw Model No. MS12501

RIDGID parts are available on-line at www.ridgidparts.com

Figure 2 Upper and Lower Guards



■ To remove this item use a
3mm hex "L" wrench



Repair Parts

Parts List For RIDGID 12" Compound Miter Saw Model No. MS12501

RIDGID parts are available on-line at www.ridgidparts.com

Figure 2 Upper and Lower Guards ‡

Always order by part number - Not by key number

Key No.	Part No.	Description	Key No.	Part No.	Description
1	823351	Screw Arbor	22	820238-2	* Washer 6.5 x 11.8 x 1.6
2	816720	Washer Blade	23	821862	Bearing
3	823348	Collar Blade	24	821875-1	Screw Shoulder M6-14
4	828042	Blade	25	817449-1	Nut Hex Lock M6 x 1.0
5	827464	Screw Sems M5 -35	26	820238-5	* Washer 6.5 x 13 x 0.8
6	821878	Screw Shoulder 10-32 x 7/8"	27	823340-1	Link Actuator
7	827498	Sleeve Rubber	28	820725-01	Spacer 7 x 10 x 4
8	827512	Lock Arbor	29	820732-2	Washer 5.5 x 16 x 0.8
9	827516	Cap Grip	30	826879	Retainer Guard
10	823402	•Spring	31	826878	• Guard Lower
11	828101-1	Arm Guard Upper	32	816677	Spring Guard
12	823353	Plate Retainer Arbor Lock	33	821873	Screw Shoulder 10-32x.50
13	823404	Screw Flat Hd M5 x 0.8-6	34	826876	Pivot Lower Guard
14	823359	Grommet Arbor Lock	35	817449-1	Nut Hex Lock M6 x 1.0
15	828045	Bag Dust	36	809372-3	* Screw Pan Hd 10-32 x 1/2
16	828038	Elbow	37	827409	Retainer Bearing
17	828040-1	Screw Soc. Set Lock M6 x 1.0-16	38	828142	* Screw Flat Hd M6 x 1.0-13
18	827543	Chute Sawdust	39	820732-1	* Washer 7.5 x 16 x 0.6
19	828119	Screw Sems M5-25	40	820724-01	Screw Shoulder M5 x 0.8-16
20	816755-6	* Screw Pan Hd M5 x 0.8-16	41	828141	Washer 1/4 x 16 x 1
21	823360	Bumper Lower Guard			

* Standard Hardware Item - May Be Purchased Locally.

‡ CAUTION: See Mechanical Assembly Caution below.

• WARNING: Uncontrolled spring release of misinstallation of these parts may create a Hazard unless repair is done by a qualified service technician.

CAUTION: Mechanical Assembly, to qualified service technician.

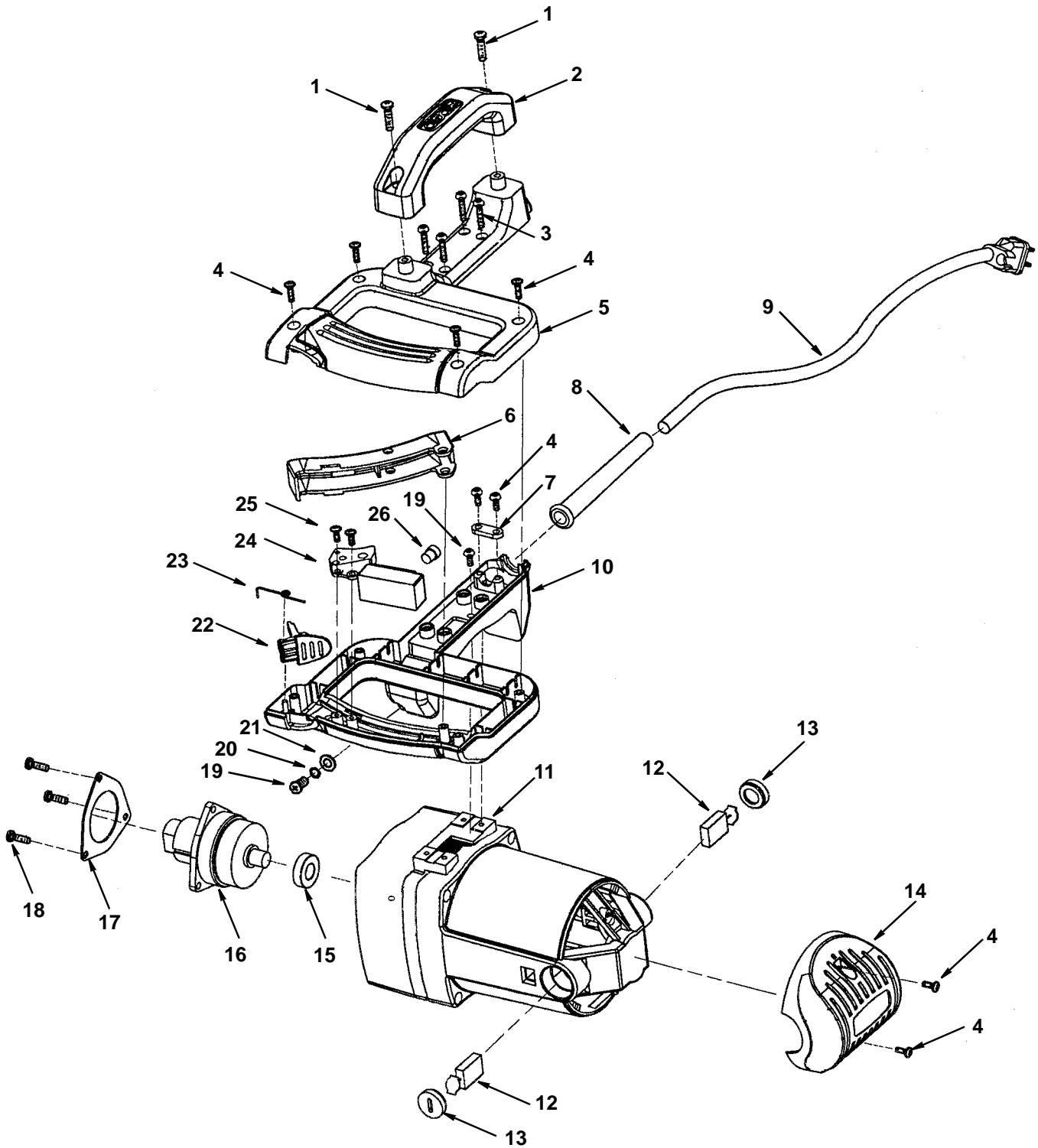
1. Wear approved eye protection when working with coil springs including spring, arbor lock 823402.
2. Incorrect re-assembly of torsion spring 828066 can cause an unsafe condition because cutting head fails to rise fully to stop, or because spring fails through over-stress.
3. Improper reassembly of mechanisms controlling movement of lower guard 826878 can cause an unsafe condition because guard fails to operate freely as cutting head is moved up and down.

Repair Parts

Parts List For RIDGID 12" Compound Miter Saw Model No. MS12501

RIDGID parts are available on-line at www.ridgidparts.com

Figure 3 - Handle and Motor Assembly



Repair Parts

Parts List For RIDGID 12" Compound Miter Saw Model No. MS12501

RIDGID parts are available on-line at www.ridgidparts.com

Figure 3 - Handle and Motor Assembly

Always order by Part Number - Not by Key Number

Key No.	Part No.	Description
1	828123	Screw Pan Hd Ty E M5-30
2	828063	Handle Carry
3	820376-5	*Screw Pan Hd Ty TT M4x0.7-20
4	828122	Screw Pan Hd Ty E M4-14
5	828062	Handle Upper
6	828059	Actuator Switch
7	816725	Clamp Cord
8	821122-1	Guard Cord
9	828057	Cord w/Plug
10	828056	Handle Lower
11	828125	Motor
12	816768	Brush
13	816770	Cover Brush

Key No	Part No.	Description
14	828064	Cover Rear Motor
15	816781	Bearing Needle
16	828133	Spindle Asm
17	823271	Retainer Bearing
18	828124	*Screw Sems M5 x 0.8-15
19	820376-4	Screw Pan Hd Ty TT M4x0.7-10
20	813303-4	*Lockwasher M4
21	821102	*Washer 4 x 9 x 0.8
22	828060	Button Lock
23	828061	Spring Torsion
24	823493	Switch
25	828122-1	Screw Pan Hd Ty E M4-10
26	803709-1	*Connector Wire #12-#18

* Standard hardware item - May be purchased locally.

• WARNING: Any attempt to repair or replace electrical parts on this unit may create a hazard unless repair is done by a qualified service technician.

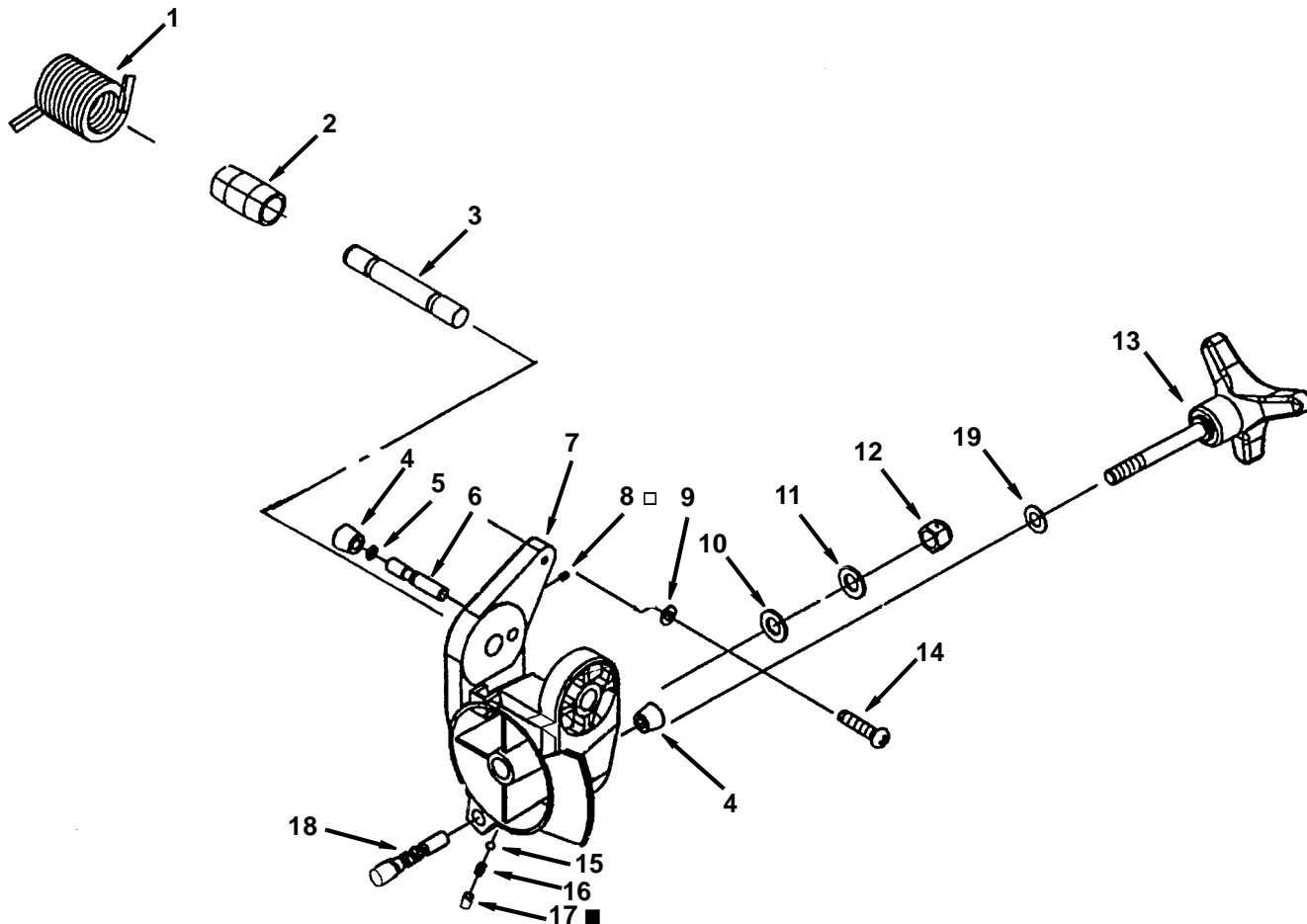
WARNING: For your safety, this miter saw is specially insulated. To reduce the risk of electrical shock, fire or injury, use only parts identical to those identified in the parts list. Reassemble exactly as originally assembled.

Repair Parts

Parts List For RIDGID 12" Compound Miter Saw Model No. MS12501

RIDGID parts are available on-line at www.ridgidparts.com

Figure 4 - Pivot Assembly



Always order by Part Number - Not by Key Number

Key No.	Part No.	Description
1	828066	‡Spring Torsion
2	823320	Spacer Torsion Spring
3	823344	Shaft Arm Pivot
4	828034	Cap Rubber
5	821421-2	Ring "O"
6	828035	Pin Locking
7	828107-1	Pivot
8	828120	Screw Set Lock M4 x 0.7-5
9	821063-1	*Washer 8 x 16 x 0.5
10	828117	Washer 12.5 x 22 x 2

Key No.	Part No.	Description
11	819179	Washer Spring 12.7 x 22 x 0.3
12	818656	Nut Lock M12 x 1.75
13	827488	Knob Bevel
14	821875-4	Screw Shoulder M6 x 23
15	823742-2	Ball 5mm
16	828039	Spring
17	828040	Screw Set Lock M6 x 1.0-10
18	828041-1	Pin Bevel Index
19	828170	* Washer 10 x 20 x 2

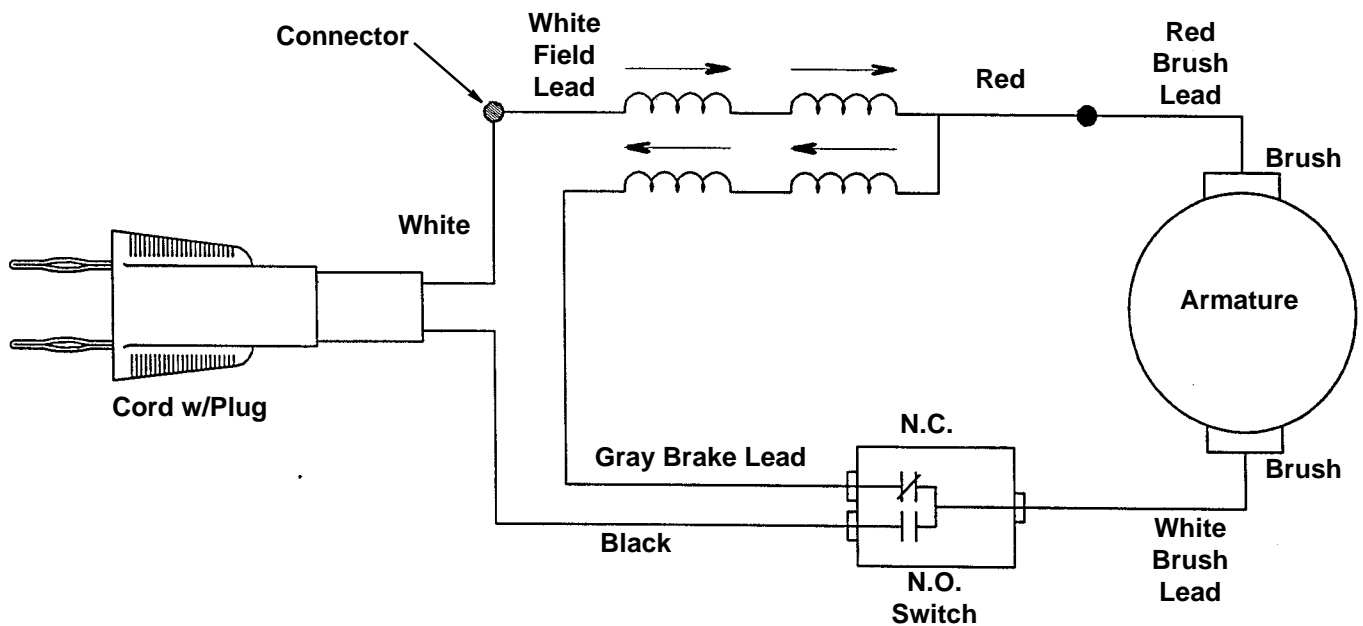
* Standard hardware item - May be purchased locally.

■ To remove this item use a 3mm hex "L" wrench.

□ To remove this item use a 2mm hex "L" wrench.

‡ CAUTION: See mechanical assembly caution on page 31.

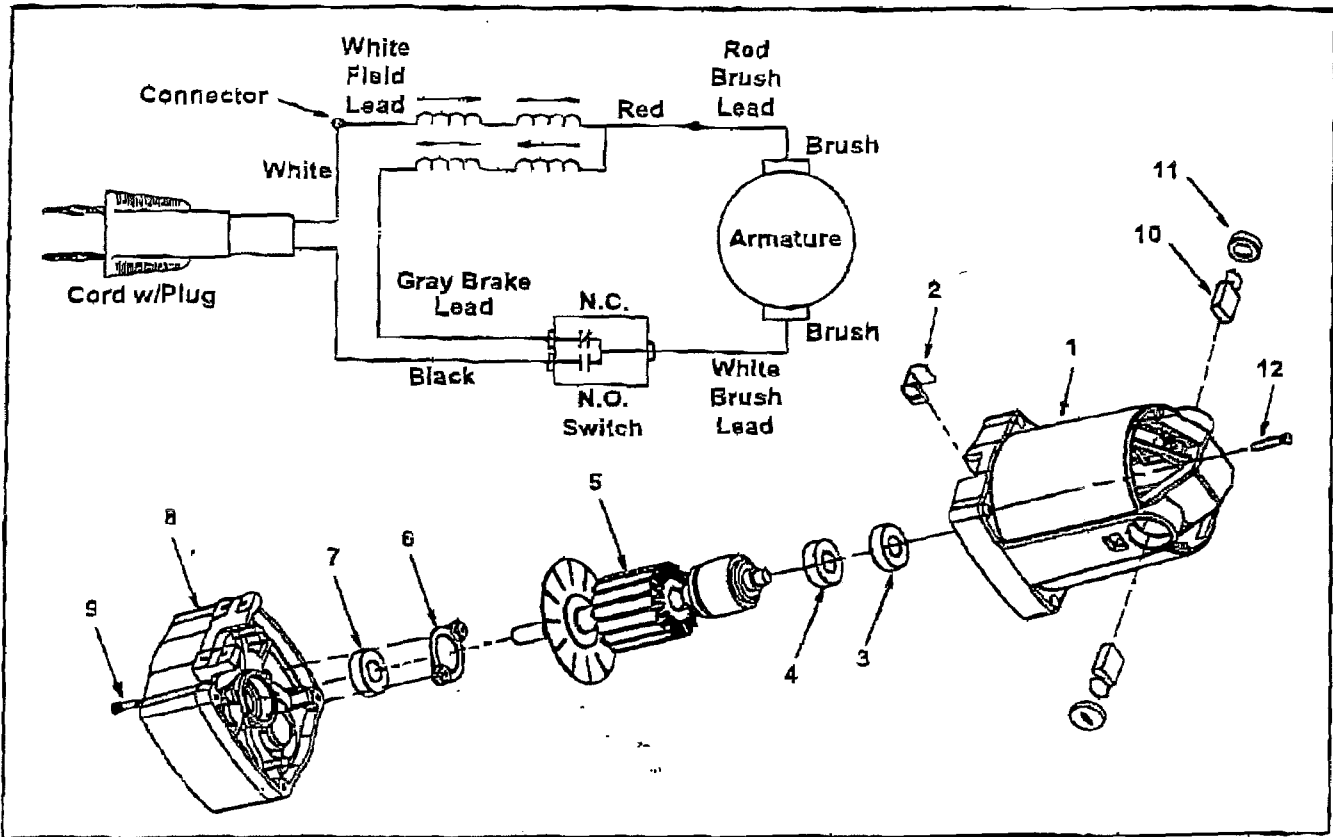
Wiring Diagram



Trouble Shooting of Brake by Qualified Service Person Only

1. Check commutation at no load. If there is a heavy sparking which follows the curvature of the commutator: replace the armature.
2. To continue trouble shooting, now unplug the power cord.
3. Install service brushes, especially if delayed come-in of brake has been noticed before failure.
4. Check brake circuit for continuity: remove brush caps and brushes. Use ohmmeter to check continuity from brass brush holder to brush holder. If open, locate exact place using ohmmeter. As indicated by test, tighten connection or replace field assembly or replace switch.
5. After repair, check direction of blade rotation vs. guard arrow.

**Motor Parts List for RIDGID 12 Inch Miter Saw
Model No. MS12500 and MS12501**



When ordering repair parts, always give the following information as shown in this list:

- | | |
|--------------------|---------------------|
| 1. The part number | 3. The model number |
| 2. The part name | 4. The name of item |

Always order by part number - Not by key number

Motor Assembly 828125

Key No.	Part No.	Description
1	828055	Field/Housing Asm.
2	828054	Protector Cork
3	817394	Retainer Bearing
4	820722-10	Bearing Ball
5	828053	Armature Asm.
6	823339	Retainer Plate Bearing

Key No.	Part No.	Description
7	816741	Bearing 6002ZZ
8	828108	Housing Gear
9	828118	Screw Sems M4-20
10	816768	Brush
11	816770	Cover Brush
12	828119	Screw Sems M5-25