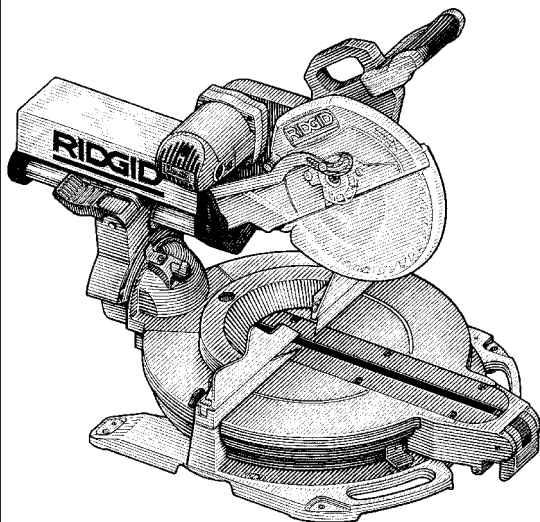


# RIGID®

## MS1290 Illustrated Parts List



## 12 INCH DUAL BEVEL SLIDE COMPOUND MITER SAW

**Call Us 1<sup>st</sup>**

For any questions about:

- Operation
- Warranty (See back cover)
- Technical Assistance
- Repair Parts

*Please have your Model Number and Serial Number on hand when calling.*

1-800-4-RIDGID

**RIDGID** Parts.com

POWER TOOL PARTS  
& ACCESSORIES

**For Your Safety:**  
Read all instructions carefully  
Save this manual for future  
reference

Part No. SP6463

Printed in Taiwan

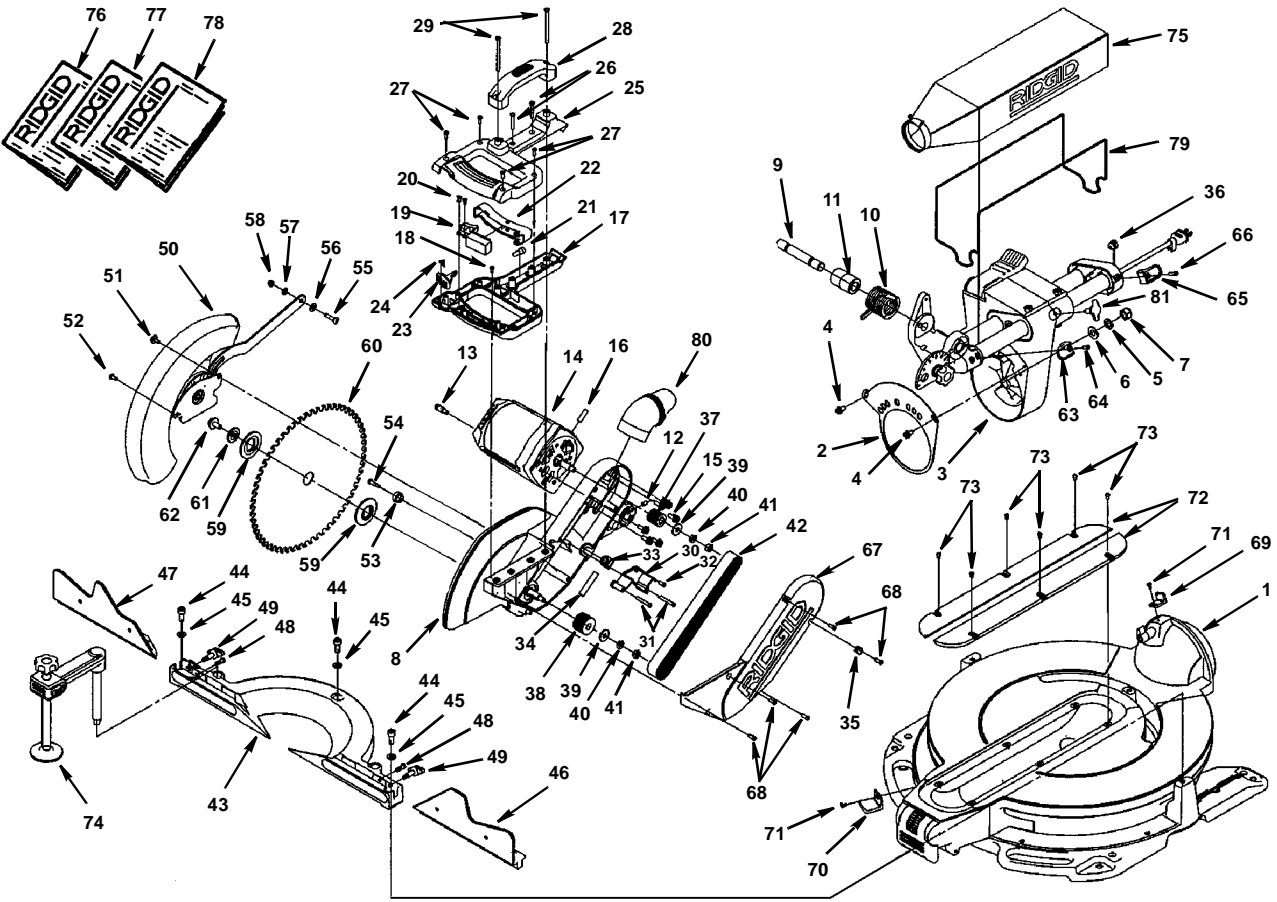
# Repair Parts

## Parts List For RIDGID 12" Slide Compound Miter Saw

Model No. MS12900

RIDGID parts are available on-line at [www.ridgidparts.com](http://www.ridgidparts.com)

Figure 1



# Repair Parts

## Parts List For RIDGID 12" Compound Miter Saw Model No. MS12900

RIDGID parts are available on-line at [www.ridgidparts.com](http://www.ridgidparts.com)

Figure 1

Always order by part number - not by key number

Key No.	Part No.	Description	Key No.	Part No.	Description
1	830122	Base/Table Asm (See Fig. 2)	42	830034	Belt, Poly, Vee
2	830008	Scale, Bevel	43	830002	Fence, Lower
3	830007	Pivot Asm (See Fig. 5)	44	830129	Screw, Soc Cap M8 x 1.25 x 20
4	830009	* Screw, M6 x 1.0 x 12	45	821063-6	* Washer 8 x 16 x 1.2
5	828117	* Washer, 12.2 x 22 x 2	46	830005	Fence, Right Sliding
6	819179	* Washer, Spring 12.7 x 22 x 0.33	47	830006	Fence, Left Sliding
7	818656	Nut, Lock	48	820244-6	* Screw, Pan Hd M6 x 20
8	830022	Arm Guard Asm (See Fig. 8)	49	830004	Knob, Fence Lock
9	823344	Shaft, Arm Pivot	50	830040	Guard Asm, Lower (See Fig. 9)
10	830131	‡ Spring, Torsion	51	821873	Screw, Shoulder 10-32 x 1/2
11	830111	Spacer, Spring	52	809372-3	* Screw, Pan Hd 10-32 x 1/2
12	828040	Screw, Set Lock M6 x 10	53	827498	Sleeve, Rubber
13	830023	Pin, Up Stop	54	821878	Screw, Shoulder, 10-32 x 7/8
14	830024	Motor Asm (See Fig. 10)	55	821875	Screw, Shoulder, M6 x 22
15	830025	* Screw M6 x 16	56	821063-1	* Washer 8 x 16 x 0.5
16	830164	Screw, Set Lock M8 x 25	57	820238-5	* Washer 6.5 x 13 x 0.8
17	830037	Handle, Lower	58	817449-1	* Nut, Hex Lock M6 x 1.0
18	813312	Screw, Pan Hd M4 x 10	59	823348	Collar, Blade
19	823494	• Switch	60	830000	Blade
20	828122-1	* Screw, Pan Hd Ty E M4 x 10	61	816720	Washer, Blade
21	803709-1	• Connector, Wire	62	823351	Screw, Blade
22	828059	Actuator, Switch	63	830016	Wrap, Cord Front
23	828060	Button, Lock	64	830124-2	* Screw, Pan Hd M5 x 15
24	828061	Spring, Torsion	65	830017	Wrap, Cord Rear
25	830039	Handle, Upper	66	830124-3	* Screw, Pan Hd M5 x 20
26	830123	Screw, Sems M5 x 32	67	830036	Cover, Belt
27	828122	Screw, Wash Hd Plastite M4-14	68	830124-2	* Screw, Pan Hd M5 x 15
28	828063	Handle, Carry	69	829994	Indicator, Bevel
29	830123-1	Screw, Sems M5 x 75	70	829995	Indicator, Miter
30	830035	Cover, Cord	71	830130-1	Screw, Sems Pn Cr L+F
31	830124	* Screw, Pan Hd M5 x 35	72		Wash M4 x 8
32	816755-3	* Screw, Pan Cr M5 x 0.8-12		829989	Insert, Table
33	816725	Clamp, Cord	73	816755-10	* Screw, Pan Cr M5 x 8
34	830264	Sleeve, Cord	74	830079	Clamp Asm
35	830125	Clip, Cord	75	830077	Bag Dust Asm
36	830148	Strain Relief	76	SP6463	Owners, Manual
37	830026	Pulley, Motor	77	SP6463S	Owners, Manual, Spanish
38	830033	Pulley, Pinion	78	SP6463F	Owners, Manual, French
39	821063	* Washer 8 x 23 x 2	79	830076	Frame, Dust Bag
40	813303-7	* Lockwasher, M8	80	830078	Elbow, Dust
41	820236-7	* Nut, Hex Lock M8 x 1.25 x 6.5	81	830015	Knob, Slide Lock

\* Standard Hardware Item - May be purchased locally.

**‡ CAUTION: See mechanical assembly caution on page 52.**

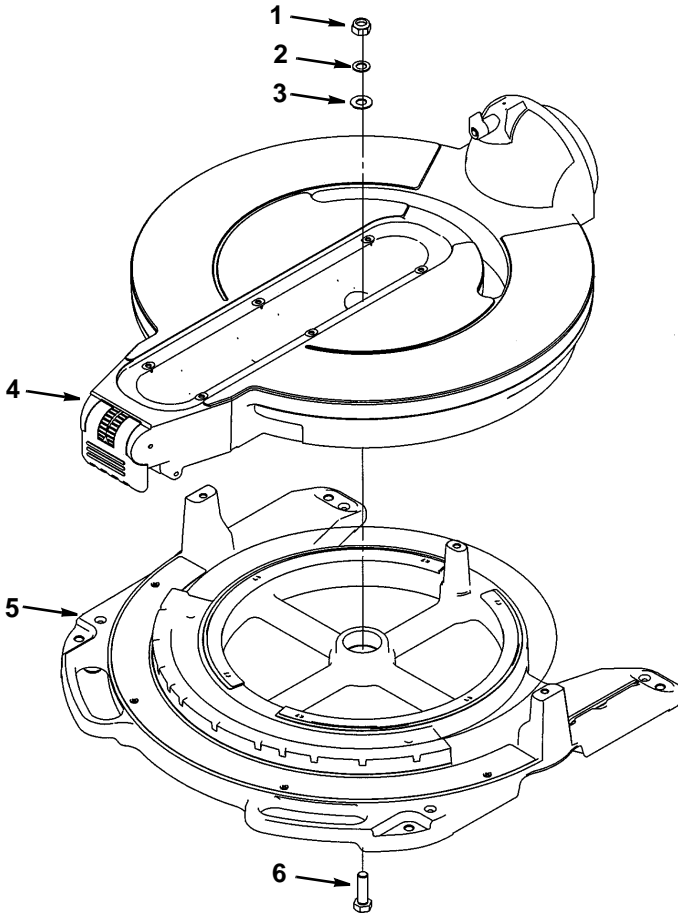
**• WARNING: See electrical warning on page 54.**

# Repair Parts

## Parts List For RIDGID 12" Compound Miter Saw Model No. MS12900

RIDGID parts are available on-line at [www.ridgidparts.com](http://www.ridgidparts.com)

Figure 2 - Base/Table Assembly



Always order by part number - Not by key number

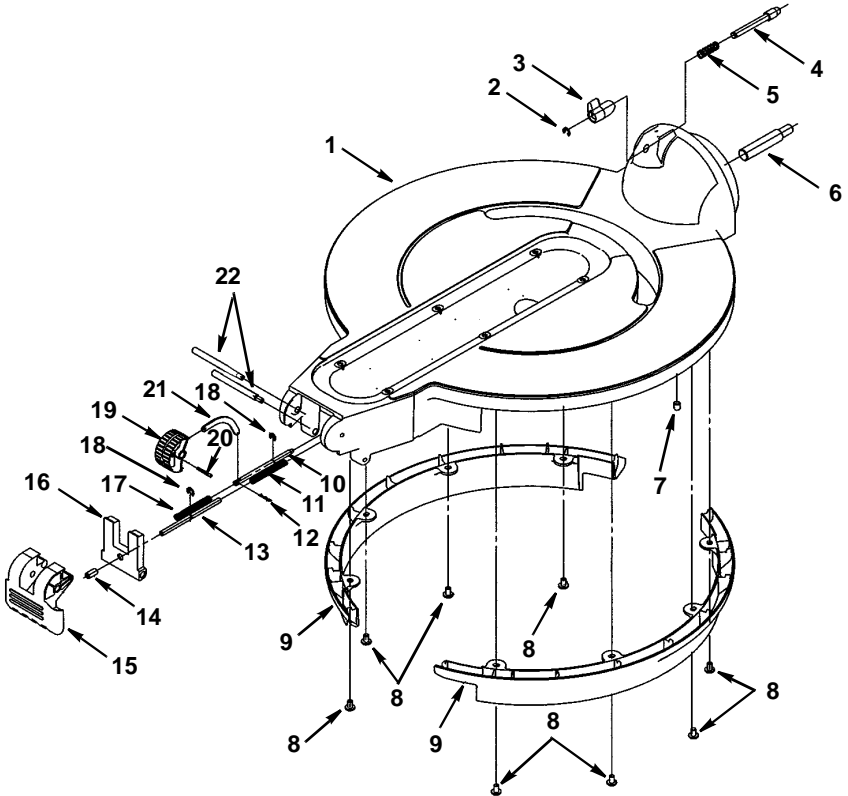
Key No.	Part No.	Description
1	818656	* Nut, Hex Lock M12 x 1.75
2	830137	* Washer, M12 x 20 x 1.5
3	830138	* Washer, M12 x 25 x 1.5
4	829981	Table Asm (See Fig. 3)
5	830136	Base Asm (See Fig. 4)
6	822072	* Screw Hx Hd M12 x 1.75-40

\* Standard Hardware Item - May be purchased locally.

# Repair Parts

## Parts List For RIDGID 12" Compound Miter Saw Model No. MS12900

RIDGID parts are available on-line at [www.ridgidparts.com](http://www.ridgidparts.com)  
Figure 3 - Table Assembly



Always order by part number - Not by key number

Key No.	Part No.	Description	Key No.	Part No.	Description
1	830280	Table Asm (Includes Key No. 6)	12	830141	Pin, Roll R6
2	829984-1	Ring, Retaining	13	829985	Pin, Miter Lock
3	829992	Lever, Bevel Index	14	827449	Screw, Set Lock
4	829990	Pin, Bevel Index	15	829988	Lever, Miter Lock
5	829991	Spring	16	829986	Plate, Miter Lock
6	—	Shaft, Pivot	17	829983	Spring
7	827449-1	Screw, Set Lock M8 x 1.25 x 10 Nylock	18	829984	Ring, Retaining
8	820244-2	* Screw, Pan Cr M6 x 1.0 x 10	19	830046	Wheel, Miter Index
9	829982	Skirt, Table	20	830140	Pin, Roll 3 x 25.2
10	830044	Pin, Miter Index	21	830045	Link, Miter Index
11	829983	Spring	22	829987	Screw, Shoulder M6 x 8 x 91

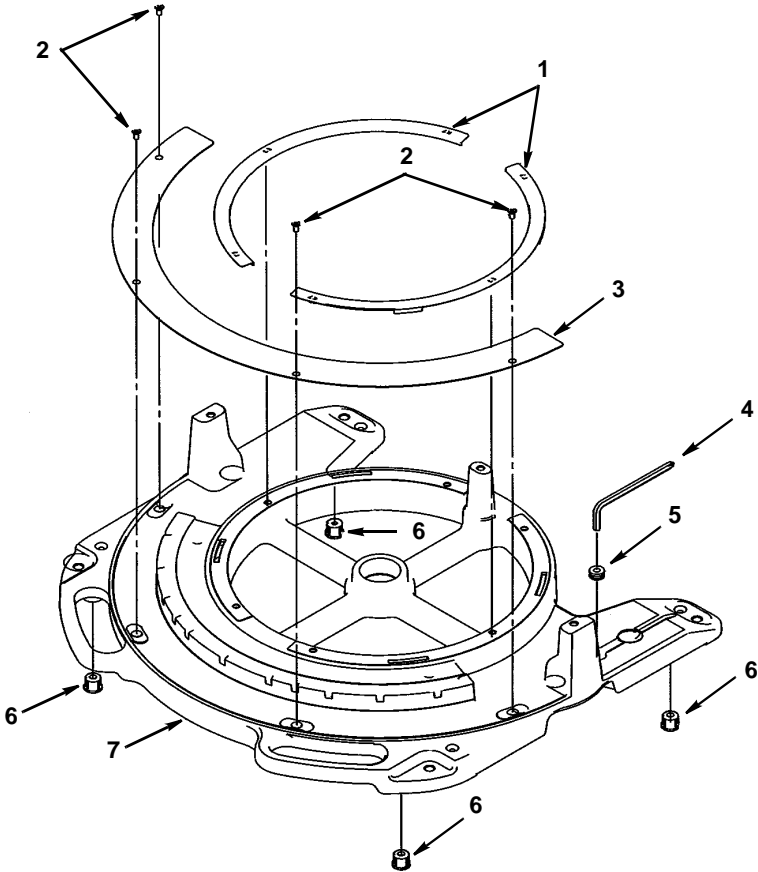
\* Standard Hardware Item - May be purchased locally.

# Repair Parts

## Parts List For RIDGID 12" Compound Miter Saw Model No. MS12900

RIDGID parts are available on-line at [www.ridgidparts.com](http://www.ridgidparts.com)

### Figure 4 - Base Assembly



Always order by part number - Not by key number

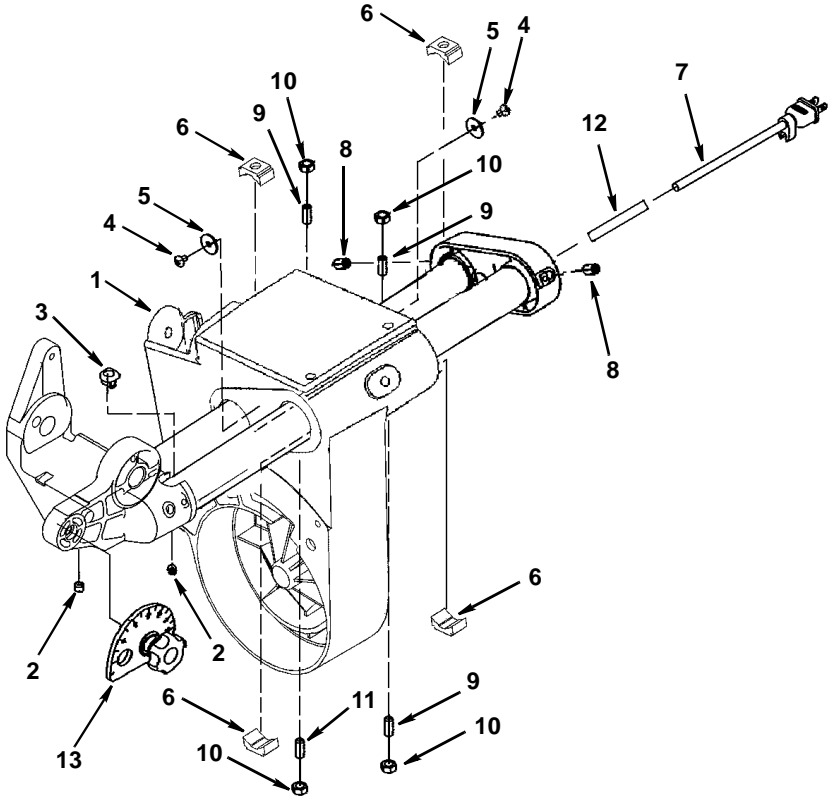
Key No.	Part No.	Description
1	829997	Shim, Table
2	830166	* Screw, Flat M5 x 0.8 x 10
3	829999	Scale, Miter
4	823492	Wrench Hex "L" .25 x 120mm
5	823335	Grommet, Wrench
6	829998	Foot, Rubber
7	829996	Base

\* Standard Hardware Item - May be purchased locally.

**Parts List For RIDGID 12" Compound Miter Saw  
Model No. MS12900**

RIDGID parts are available on-line at [www.ridgidparts.com](http://www.ridgidparts.com)

**Figure 5 - Pivot Assembly**



**Always order by part number - Not by key number**

Key No.	Part No.	Description
1	830262	Pivot Asm Only (Other Items Listed on Chart Not Included)
2	830146	Screw, Set Lock M8 x 1.25 x 6 Nylock
3	830147	Guard, Cord
4	830145	Screw, Shoulder M5
5	830053	Washer, Rubber
6	830048	Glide Tube
7	830038	• Cord w/Plug

Key No.	Part No.	Description
8	830146-1	Screw, Set Lock M8 x 1.25 x 14 Nylock
9	830144-1	Screw, Set Lock M8 x 1.25 x 20
10	824026-7	* Nut, Hex M8 x 1.25
11	830144	Screw, Set Lock M8 x 1.25 x 25
12	830264-1	Sleeve, Cord
13	—	Tube Pivot Asm (See Fig. 6)

\* Standard Hardware Item - May be purchased locally.

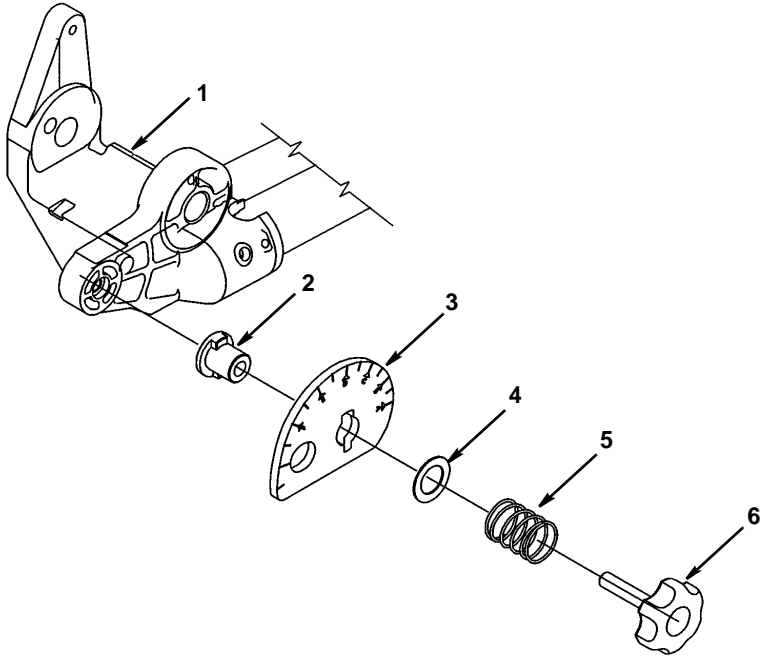
**• WARNING: See electrical warning on page 54.**

# Repair Parts

## Parts List For RIDGID 12" Compound Miter Saw Model No. MS12900

RIDGID parts are available on-line at [www.ridgidparts.com](http://www.ridgidparts.com)

### Figure 6 - Tube Pivot Assembly



**Always order by part number - Not by key number**

Key No.	Part No.	Description
1	—	Pivot Asm. (See Fig. 5)
2	830018	Bearing, Flange Down Stop
3	830019	Eccentric, Plate
4	830149	* Washer, 0.63 x 25 x 1/32
5	830020	Spring
6	830021	Knob, Down Stop

\* Standard Hardware Item - May be purchased locally.

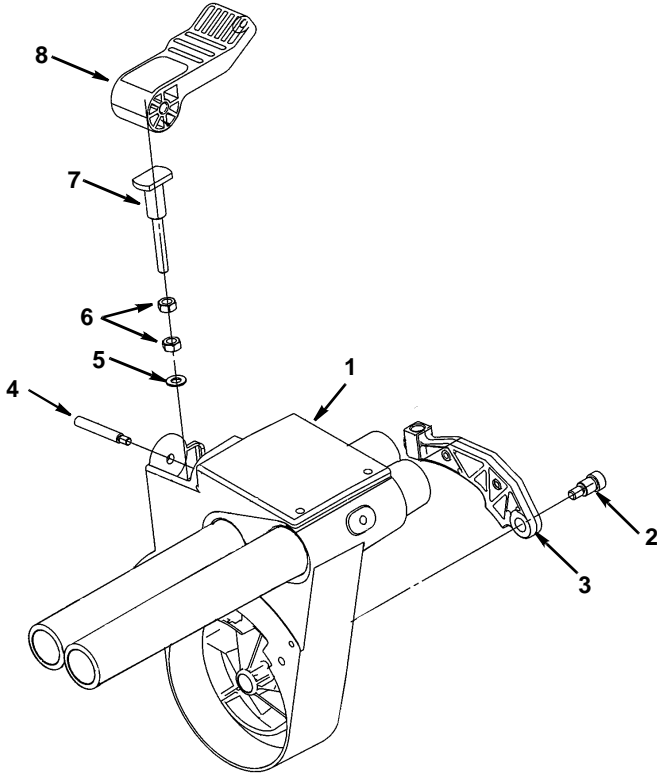


# Repair Parts

## Parts List For RIDGID 12" Compound Miter Saw Model No. MS12900

RIDGID parts are available on-line at [www.ridgidparts.com](http://www.ridgidparts.com)

### Figure 7 - Pivot Sub Assembly



**Always order by Part Number - Not by Key Number**

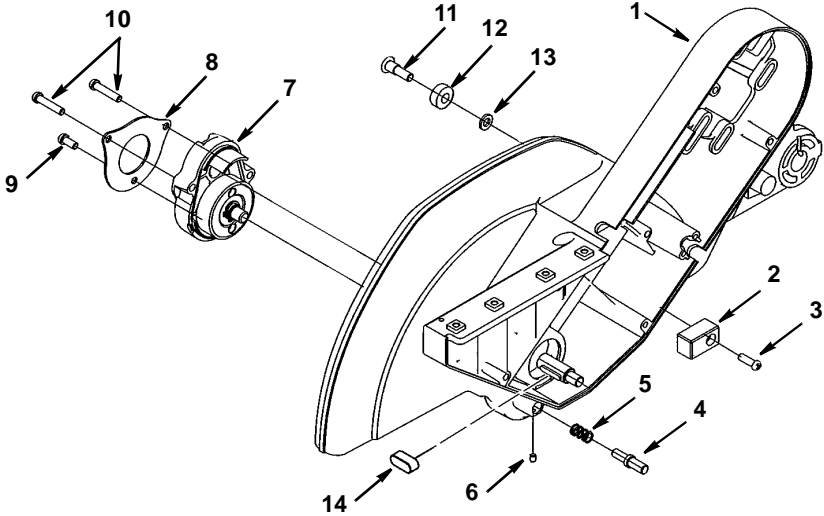
Key No.	Part No.	Description
1	—	Pivot Asm. (See Fig. 5)
2	830151	Screw, Shoulder M6
3	830010	Clamp, Bevel
4	830011	Screw, Shoulder M8 x 1.25 x 58.5
5	821063-7	* Washer, 8 x 16 x 1.2
6	820236-7	* Nut, Hex M8 x 1.25
7	830012	Plunger, Bevel Lock
8	830013	Lever, Bevel Lock

\* Standard hardware item - May be purchased locally.

# Repair Parts

## Parts List For RIDGID 12" Compound Miter Saw Model No. MS12900

RIDGID parts are available on-line at [www.ridgidparts.com](http://www.ridgidparts.com)  
Figure 8 - Arm Guard Assembly ‡



Always order by part number - Not by key number

Key No.	Part No.	Description
1	830225	Arm Guard Asm
2	823360	Bumper, Lower Guard
3	816755-6	Screw, Pan Cr M5 x 16
4	830029	Pin, Arbor Lock
5	830030	• Spring
6	830155	Screw, Set Lock M4 x 5 Nylock
7	830031	Arbor Asm

Key No.	Part No.	Description
8	830032	Retainer Bearing
9	830154-1	Screw, Sems M5 x 12
10	830154	Screw, Sems M5 x 25
11	821875-1	* Screw M6 x 1.0-14
12	821862	Bearing
13	820238-2	* Washer M6 x 12 x 1.6
14	830027	Key 4 x 4 x 20

\* Standard hardware item - May be purchased locally.

‡ CAUTION: See Mechanical Assembly Caution below.

• WARNING: Uncontrolled spring release or misinstallation of these parts may create a Hazard unless repair is done by a qualified service technician.

CAUTION: Mechanical Assembly, to qualified service technician.

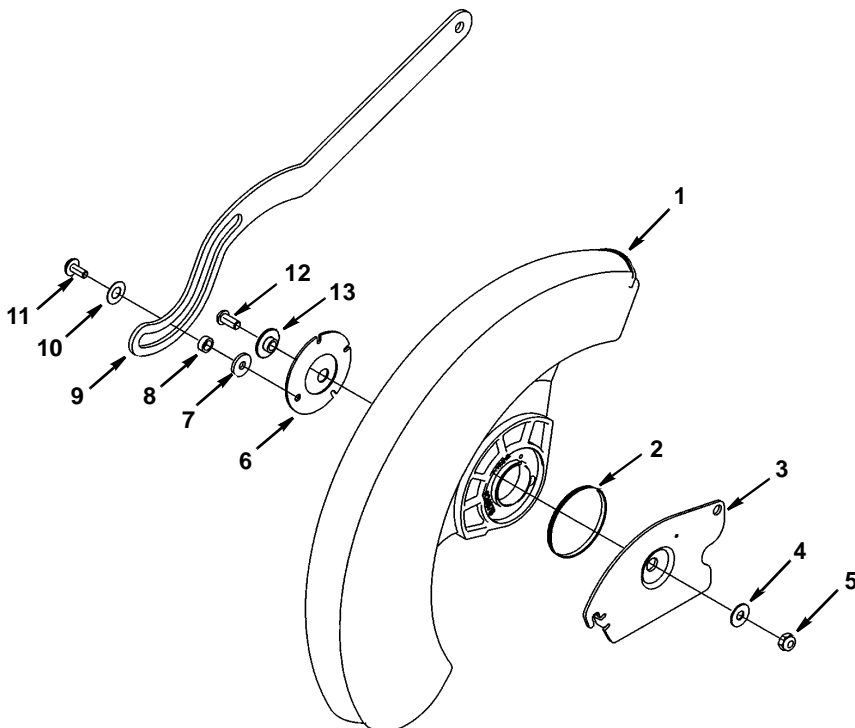
1. Wear approved eye protection when working with coil springs including spring, arbor lock 830030.
2. Incorrect re-assembly of torsion spring 830111 can cause an unsafe condition because cutting head fails to rise fully to stop, or because spring fails through over-stress.
3. Improper reassembly of mechanisms controlling movement of lower guard 830059 can cause an unsafe condition because guard fails to operate freely as cutting head is moved up and down.

## Repair Parts

### Parts List For RIDGID 12" Compound Miter Saw Model No. MS12900

RIDGID parts are available on-line at [www.ridgidparts.com](http://www.ridgidparts.com)

#### Figure 9 - Lower Guard Assembly ‡ •



Always order by part number - Not by key number

Key No.	Part No.	Description	Key No.	Part No.	Description
1	830059	• Guard, Lower	8	820725-01	Spacer
2	816677	• Spring, Guard	9	830041	Link, Actuator
3	830058	Pivot, Lower Guard	10	820732-1	* Washer 7.5 x 16 x 0.6
4	820238-8	Washer 1/4 x 16	11	820724	Screw, Shoulder M5
5	817449-1	* Nut, Hex Lock M6 x 1.0	12	828142	* Screw, Flat Cr M6 x 13
6	826879	Retainer, Guard	13	827409	Bearing, Retainer
7	820732-2	* Washer 5.5 x 16 x 0.8			

\* Standard Hardware Item - May be purchased locally.

**‡ CAUTION: See mechanical assembly caution on page 52.**

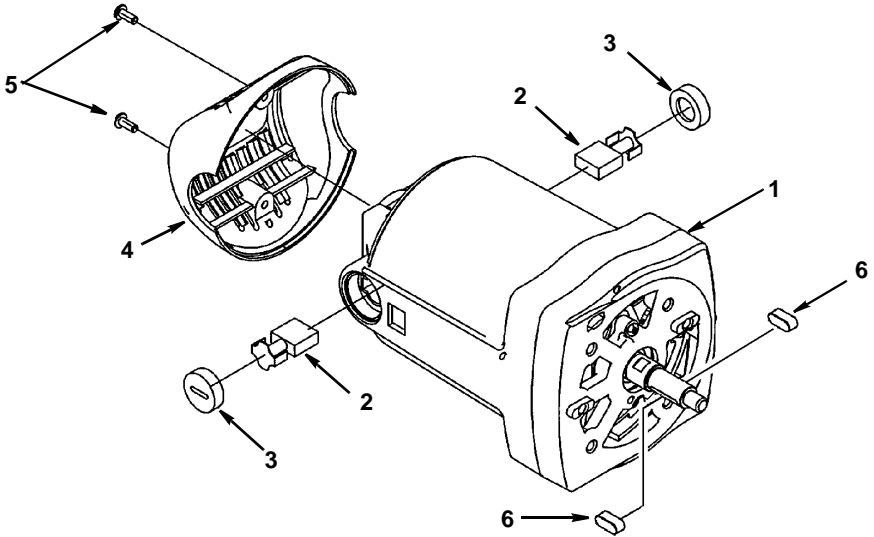
**• WARNING: See warning on page 52.**

## Repair Parts

### Parts List For RIDGID 12" Compound Miter Saw Model No. MS12900

RIDGID parts are available on-line at [www.ridgidparts.com](http://www.ridgidparts.com)

Figure 10 - Motor Assembly •



Always order by part number - Not by key number

Key No.	Part No.	Description
1	830253	Motor (Includes Key Nos. 2, 3, 4, 5)
2	816768	Brush
3	830250	Cover, Brush
4	828064	Cover, Rear Motor
5	828122-1	Screw, Wash Hd Cr M4-10
6	830027	Key 4 x 4 x 20

• **WARNING:** Any attempt to repair or replace electrical parts on this unit may create a hazard unless repair is done by a qualified service technician.

**WARNING:** For your safety, this miter saw is specially insulated. To reduce the risk of electrical shock, fire or injury, use only parts identical to those identified in the parts list. Reassemble exactly as originally assembled.

