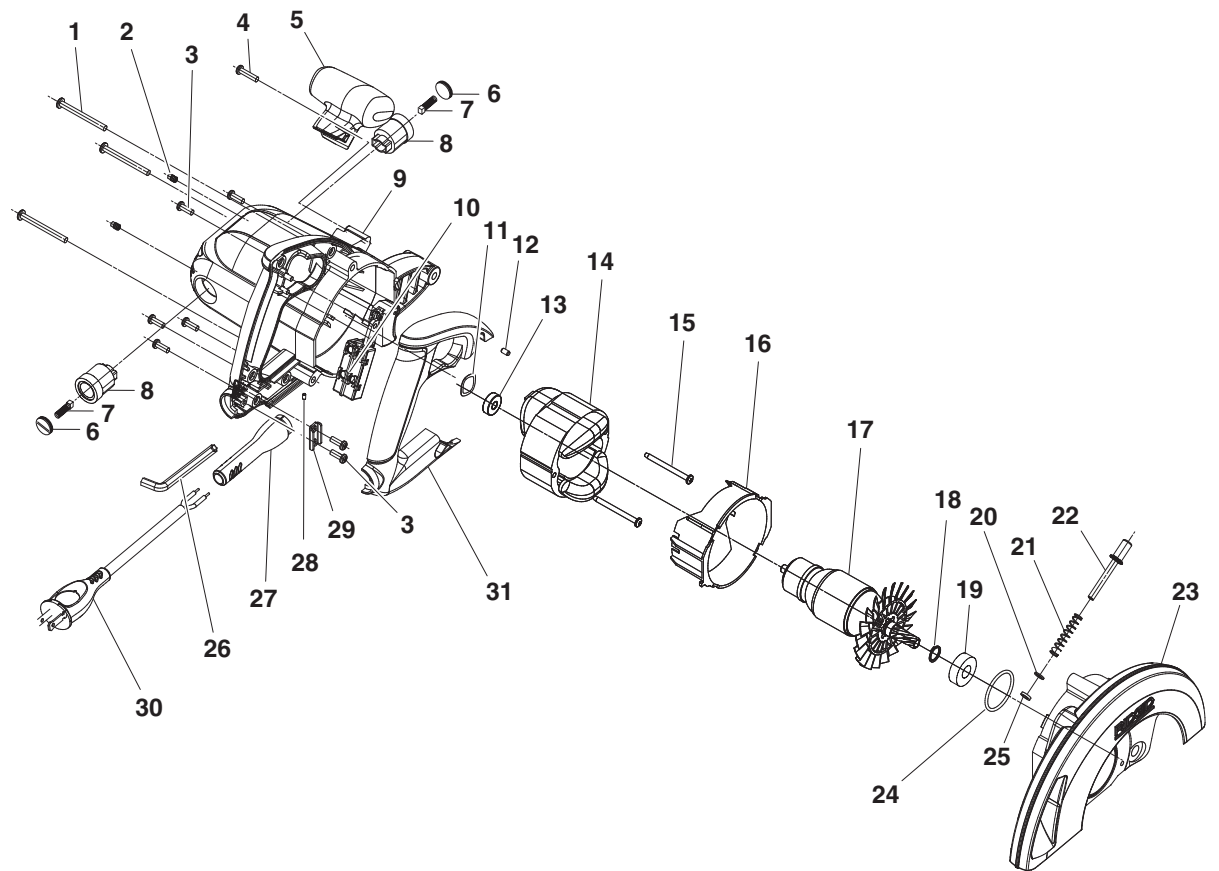


RIDGID R3200

KEY	P/N	QTY
1	660061003	3
2	660067001	2
3	660065001	7
4	660065002	1
5	511125001	1
6	511767001	2
7	290204001	2
8	511766001	2
9	511122001	1
10	760245002	1
11	680662002	1
12	550339001	1
13	680141007	1
14	740545001	1
15	660062001	2
16	511124001	1
17	200214003	1
18	690293003	1
19	680273002	1
20	690002002	1
21	680958002	1
22	690088003	1
23	300294030	1
24	560986001	1
25	560987001	1
26	690214002	1
27	560988001	1
28	560984001	1
29	690339002	1
30	730387006	1
31	511121001	1



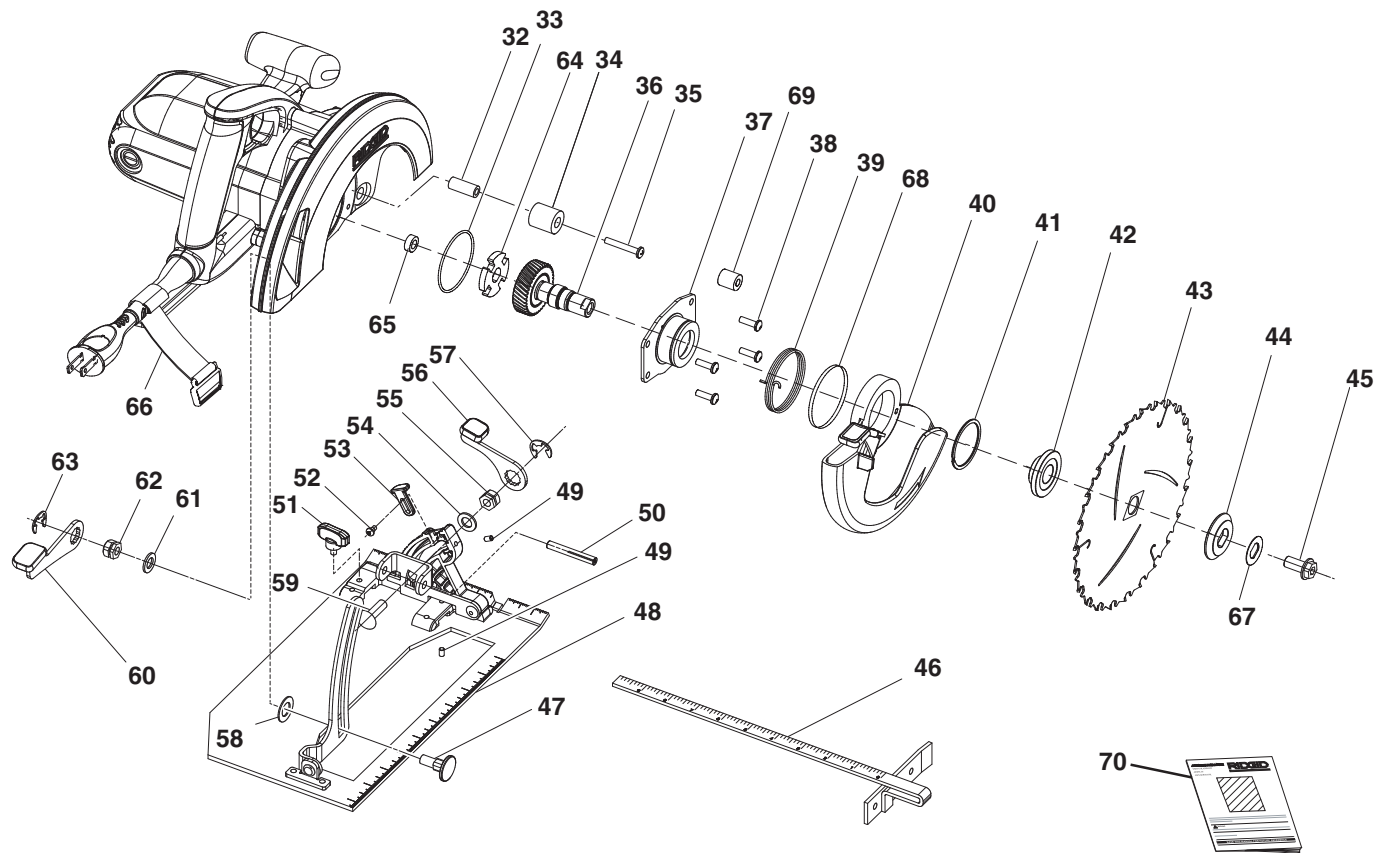
▲ WARNING: The assembly shown represents an important part of the Double Insulated System. To avoid the possibility of alteration or damage to the System, service should be performed by your nearest authorized service center.

▲ AVERTISSEMENT : L'ensemble illustré représente une partie importante du système à isolation double. Afin d'éviter la possibilité de modification ou de dommage au système, la réparation ne doit être effectuée que par votre centre de réparation commerciale autorisé.

▲ ADVERTENCIA: El conjunto que se ilustra representa una parte importante del Sistema de Aislamiento Doble. Para evitar la posibilidad de alteración o daño del sistema, la reparación debe ser efectuada en su centro de servicio autorizado.

RIDGID R3200

KEY	P/N	QTY.
32	690500001	1
33	560985001	2
34	560844002	1
35	660011002	1
36	300003050	1
37	300516021	1
38	660061004	4
39	690723002	1
40	300516019	1
41	690293002	1
42	680798002	1
43	690954002	1
44	680775003	1
45	660057001	1
46	690119003	1
47	660364001	1
48	300530009	1
49	660066002	2
50	680930002	1
51	511129001	1
52	660063001	1
53	511123001	1
54	671115001	1
55	660365001	1
56	301003001	1
57	680374002	1
58	660364002	1
59	690002004	1
60	301004001	1
61	690002003	1
62	660365001	1
63	680374002	1
64	690951001	1
65	680928003	1
66	300904003	1
67	623547002	1
68	630109001	1
69	671043001	1
70	983000-301	1



▲ WARNING: The assembly shown represents an important part of the Double Insulated System. To avoid the possibility of alteration or damage to the System, service should be performed by your nearest authorized service center.

▲ AVERTISSEMENT : L'ensemble illustré représente une partie importante du système à isolation double. Afin d'éviter la possibilité de modification ou de dommage au système, la réparation ne doit être effectuée que par votre centre de réparation commerciale autorisé.

▲ ADVERTENCIA: El conjunto que se ilustra representa una parte importante del Sistema de Aislamiento Doble. Para evitar la posibilidad de alteración o daño del sistema, la reparación debe ser efectuada en su centro de servicio autorizado.

**REPLACEMENT PARTS PRICING SHEET
RIDGID**

MODEL: R3200

Description of Tool: 7 1/4" CIRCULAR SAW

KEY	PART #	DESCRIPTION
1	660061003	M SCREW, #10-24x2" TORX PH
2	660067001	SET SCREW, #8-16x1/4 TORX
3	660065001	SCREW, #8-16x1/2" TORX
4	660065002	SCREW, #8-16x3/4" TORX
5	511125001	POMMEL
6	511767001	BRUSH CAP
7	290204001	BRUSH W/SPRING
8	511766001	BRUSH HOLDER
9	511122001	MOTOR HOUSING
10	760245002	SWITCH, ON/OFF 22A 125V
11	680662002	WAVE WASHER BWW-608
12	550339001	RUBBER PLUG
13	680141007	BALL BEARING 608
14	740545001	FIELD ASSEMBLY
15	660062001	SCREW, #10-24x2-1/4" TORX
16	511124001	BUFFLE
17	200214003	ARMATURE ASSEMBLY
18	690293003	RETAIN RING, STW-15
19	680273002	BALL BEARING 6202
20	690002002	WASHER, OD10.5xID5.75x1.0
21	680958002	SPRING, DIA 0.029"OD0.314"xL1.6"
22	690088003	SPINDLE LOCK PIN
23	300294030	UPPER BLADE GUARD ASSLY
24	560986001	O-RING, DIA 2.5xID 34.0
25	560987001	SEAL, OD10.5xID5.4xT5.0
26	690214002	WRENCH, ALLEN
27	560988001	BEND RELIEF
28	560984001	PLUG, RUBBER DIA 2.8x4.8PH
29	690339002	CORD CLAMP
30	730387006	POWER CORD
31	511121001	HANDLE COVER
32	690500001	BUMPER SUPPORT
33	560985001	O-RING, DIA 1.8xID 50.5
34	560844002	BUMPER
35	660011002	M SCREW, #10-24x1-1/4" TORX
36	300003050	OUTPUT SHAFT ASSEMBLY

**REPLACEMENT PARTS PRICING SHEET
RIDGID**

MODEL: R3200

Description of Tool: 7 1/4" CIRCULAR SAW

37	300516021	LWR BLADE GRD SUPPORT ASSY	
38	660061004	M SCREW, #10-24x5/8" TORX PH	
39	690723002	TORSION SPRING	
40	300516019	LOWER BLADE GUARD ASSEMBLY	
41	690293002	RETAINING RING - OUTER	
42	680798002	INNER BLADE WASHER	
43	690954002	BLADE, 24T TCT THIN KERF	
44	680775003	OUTER BLADE WASHER	
45	660057001	BOLT, ALLEN 3/8"-16UNC x3/4"	
46	690119003	RIP GUIDE	
47	660364001	CARRIAGE BLT 5/16"-18UNCxL29/32"	
48	300530009	BASE ASSEMBLY	
49	660066002	SET SCREW, #8-32x1/4" FLAT TRIP	
50	680930002	ROLL PIN	
51	511129001	RIP GUIDE KNOB	
52	660063001	SHOULD BOLT	
53	511123001	ADJUSTMENT LEVER	
54	671115001	WASHER	
55	660365001	NUT, 5/16"-18 UNC	
56	301003001	LEVER - BEVEL	
57	680374002	BOWED E-RING, BETW-10	
58	660364002	WASHER (OD22 X ID12.25)	
59	690002004	CARRIAGE BOLT, 5/16"-18UNCx1"	
60	301004001	LEVER - ELEVATION	
61	690002003	WASHER	
62	660365001	NUT, 5/16"-18 UNC	
63	680374002	BOWED E-RING, BETW-10	
64	690951001	SPINDLE LOCK PLATE	
65	680928003	ROLLER BEARING HK1010	
66	300904003	CORD WRAP	
67	623547002	WASHER	
68	630109001	RING, STEAL WEAR	
69	671043001	SPECIAL WASHER	
70	983000301	OPERATORS MANUAL - R3200	
	Jul-03		