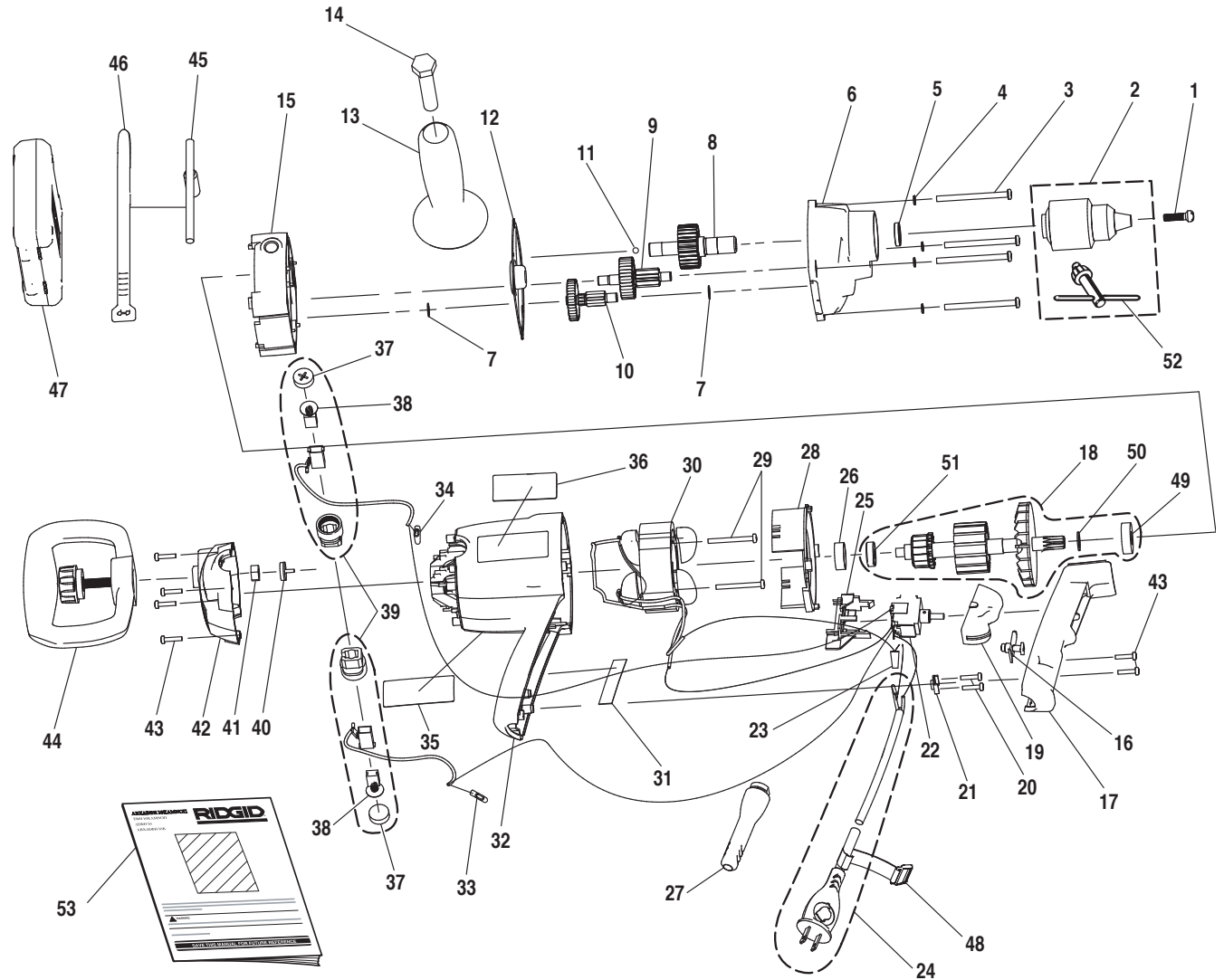


KEY	P/N	QTY	KEY	P/N	QTY
1	660134002	1	28	590974001	1
2	985011001	1	29	660259003	2
3	660299003	4	30	740522001	1
4	670960002	4	31	940140031	1
5	680323002	1	32	590978001	1
6	300114016	1	33	290061044	1
7	670037003	2	34	290116022	1
8	300003055	1	35	940304019	1
9	300460005	1	36	940301008	1
10	300460006	1	37	511534001	2
11	670219001	1	38	690162003	2
12	900860001	1	39	290069030	2
13	590986001	1	40	590984001	1
14	660361003	1	41	690551001	1
15	300926003	1	42	590983001	1
16	300997002	1	43	660054001	6
17	400979001	1	44	300067099	1
18	300998001	1	45	680883004	1
19	590975001	1	46	560989001	1
20	660182006	2	47	300730074	1
21	690337002	1	48	300904001	1
22	760330001	1	49	680393003	1
23	870126001	1	50	690396001	1
24	290086012	1	51	680141004	1
25	590977001	1	52	680883005	1
26	560881002	1	53	983000-305	1
27	560963001	1		9-03	



▲ **WARNING:** The assembly shown represents an important part of the Double Insulated System. To avoid the possibility of alteration or damage to the System, service should be performed by your nearest authorized service center.

▲ **AVERTISSEMENT :** L'ensemble illustré représente une partie importante du système à isolation double. Afin d'éviter la possibilité de modification ou de dommage au système, la réparation ne doit être effectuée que par votre centre de réparation centre commercial autorisé.

▲ **ADVERTENCIA:** El conjunto que se ilustra representa una parte importante del Sistema de Aislamiento Doble. Para evitar la posibilidad de alteración o daño del sistema, la reparación debe ser efectuada en su centro de servicio autorizado.

**REPLACEMENT PARTS PRICING SHEET****RIDGID****MODEL:** R7120**Description of Tool:** 12" SPADE HANDLE DRILL

<b>KEY</b>	<b>PART #</b>	<b>DESCRIPTION</b>	<b>LIST PRICE</b>
1	660134002	SCREW (M6X1.0X27MM) LH	
2	985011001	WEIDA CHUCK KEY ASSY	
3	660299003	SCREW (M5X65MM)	
4	670960002	SPRING WASHER	
5	680323002	SPACER	
6	300114016	GEAR HSG. W/BRGS. ASSY	
7	670037003	WASHER	
8	300003055	OUTPUT GEAR & SPINDLE ASSY	
9	300460005	GEAR AND SPINDLE ASSY # 3	
10	300460006	GEAR AND SPINDLE ASSY #2	
11	670219001	BALL (DIA 5)	
12	900860001	GASKET	
13	590986001	AUXILARY HANDLE	
14	660361003	BOLT - (AUX. HANDLE)	
15	300926003	BEARING PLATE ASSEMBLY	
16	300997002	LOCK ON BUTTON ASSEMBLY	
17	400979001	HOUSING HNDLE COVER	
18	300998001	ARMATURE ASSEMBLY	
19	590975001	TRIGGER	
20	660182006	SCREW (#6X12MM)	
21	690337002	CORD CLAMP (STAMPING)	
22	760330001	SWITCH, ON/OFF	
23	870126001	TERMINAL CONNECTOR	
24	290086012	RECEPTICLE & POWER CORD	
25	590977001	SWITCH SEAT	
26	560881002	BEARING CAP	
27	560963001	BEND RELIEF	
28	590974001	BAFFLE	
29	660259003	SCREW (M4X41MM)	
30	740522001	FIELD W/LEADS	
31	940140031	LABEL	
32	590978001	MOTOR HOUSING	
33	290061044	RECEPTICLE & WIRE ASSY (B)	
34	290116022	RECEPTICLE & WIRE ASSY(W)	
35	940304019	LABEL	

