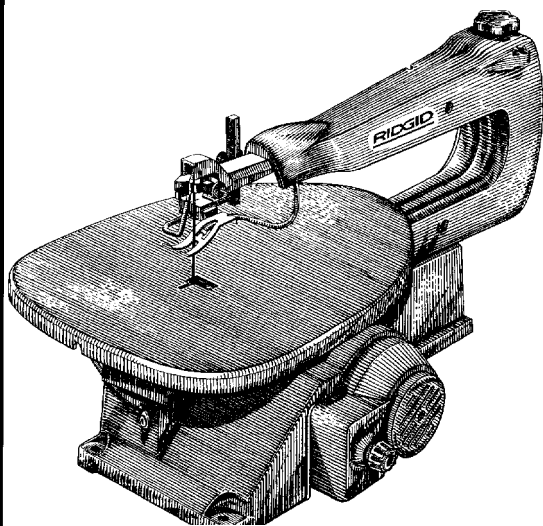


RIDGID®

SS1650 OWNERS MANUAL



16 INCH VARIABLE SPEED SCROLL SAW

- **Assembly**
- **Operation**
- **Repair Parts**

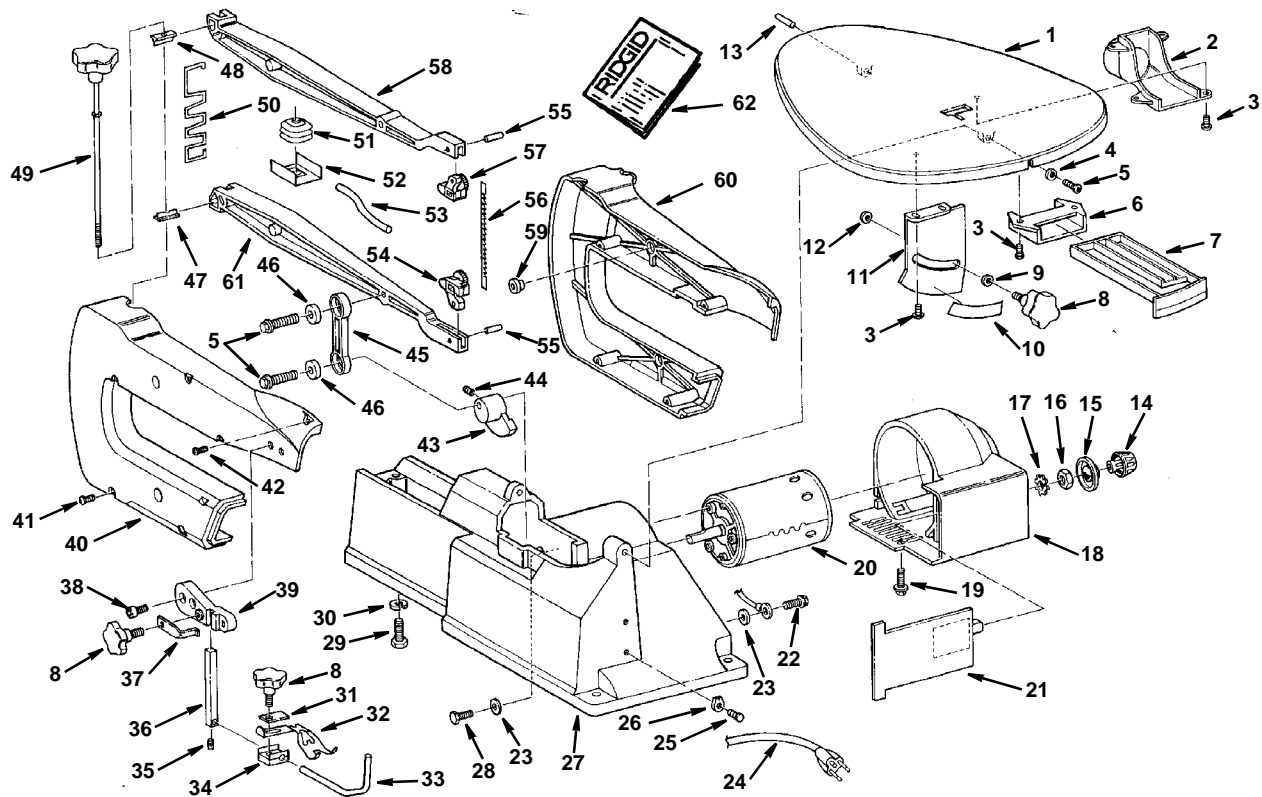
**QUESTIONS OR COMMENTS?
CALL 1-800-4-RIDGID
www.ridgidwoodworking.com**

**For Your Safety:
Read all instructions carefully**

Part No. SP6141

Printed in U.S.A.

Parts List For RIDGID 16" Variable Speed Scroll Saw Model No. SS16500



Repair Parts
 RIDGID parts are available on-line at www.ridgidparts.com

Parts List for RIDGID 16" Variable Speed Scroll Saw Model No. SS16500

Always Order By Part Number-Not By Key Number

Key No.	Part No.	Description
1	826177	Table
2	826257	Chute Sawdust
3	*	Screw Pan Hd Ty "T" 10-32 x 3/8
4	821532	Washer Curved Spring
5	821521	Screw Hex Wash Shldr Ty "T" 1/4-20 x 1/2
6	823808-1	Guide Drawer
7	826254	Drawer
8	826252	Knob Bevel
9	*	Washer 17/64 x 5/8 x 1/16
10	821510	Label Bevel Scale
11	826256	Scale Bevel
12	*	Washer 17/64 x 3/4 x 7/64
13	60326	Pin Roll .219 x 3/4
14	826298	Knob On/Off
15	826299	Guard Finger
16	*	Nut Hex Jam 3/8-32
17	*	Lockwasher 3/8
18	826201	Housing Motor
19	822016	Screw Hex Washer Hd Ty "T" #10 x 5/8
20	823634	• Motor
21	826867	Board, Control
22	823168	Screw Hex Washer Hd Ty "T" 10-32x3/8 Green
23	*	Lockwasher #10
24	823801-1	Cord w/Plug
25	809492	Screw Pan Hd Ty "T" 8-32 x 5/16
26	826057	Pointer
27	826136	Base
28	813094-1	Screw Hex Hd 10-32 x 7/8
29	*	Screw Hex Hd 1/4-20 x 1-1/2
30	*	Lockwasher 1/4
31	823830-1	Support Plate

Key No.	Part No.	Description
32	823827-1	Spring Hold Down
33	823806	Guard, Blade
34	823800-1	Clamp Hold Down
35	*	Screw, Soc Set, 10-32 x 3/16
36	823828	Support Bar
37	826255	Plate Clip
38	*	Screw Soc Hd Cap 1/4-20 x 3/8
39	826175	Support, Hold Down
40	826198	Housing Left
41	66072	Screw Pan Hd Ty "T" 8-32 x 1-3/8
42	*	Screw Pan Hd Ty "T" 8-32 x 1/2
43	823802	Coupling Eccentric
44	*	Screw Soc Set 1/4-20 x 3/8
45	826171	Link
46	815200	Bearing Ball
47	821529	Nut, Tension
48	821530	Wedge, Tension
49	826758	Knob, Tension
50	821531	Spring Tension
51	823791-1	Bellows
52	824646	Cover Bellows
53	823812	Hose
54	823810-1	Holder Blade Lower
55	*	Pin Roll 3/16 x 9/16
56	*	† Blade
57	823811-1	Holder Blade Upper
58	826278	Arm Upper
59	821416	Bearing Flanged
60	826199	Housing Right
61	826277	Arm Lower
62	SP6141	Owner's Manual

* Standard hardware item - may be purchased locally

† These replacement parts are available where you purchased your scroll saw.

• Any attempt to repair this motor may create a hazard unless repair is done by a qualified service technician. Repair service is available at your nearest Authorized Service Center.

Wiring Diagram

WARNING: To reduce the risk of fire or shock, use only recommended service parts and reassemble exactly as originally assembled.

