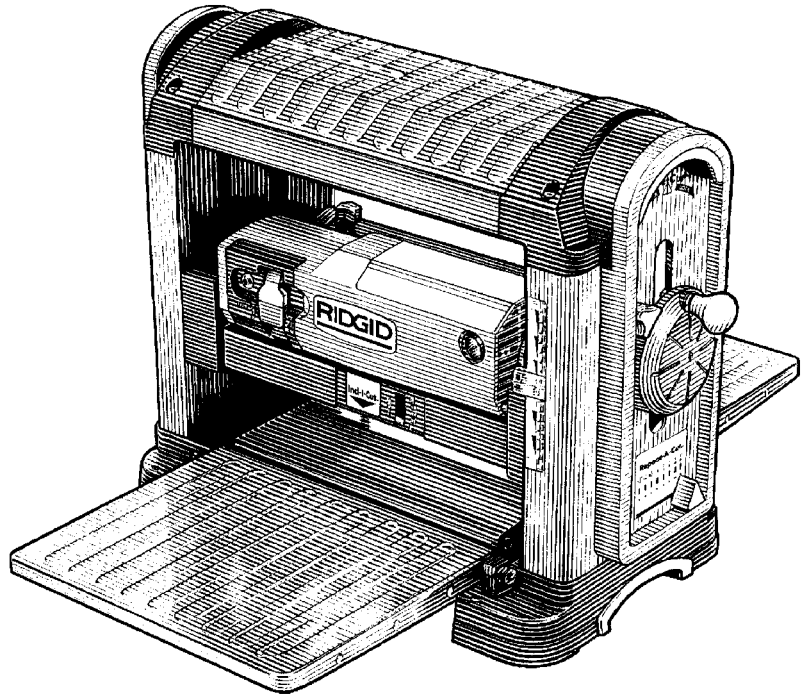


TP1300 OWNER'S MANUAL



13 INCH THICKNESS PLANER

- **Assembly**
- **Operation**
- **Repair Parts**

For Your Safety:

Read all instructions carefully

QUESTIONS OR COMMENTS?

CALL 1-800-4-RIDGID

www.ridgidwoodworking.com

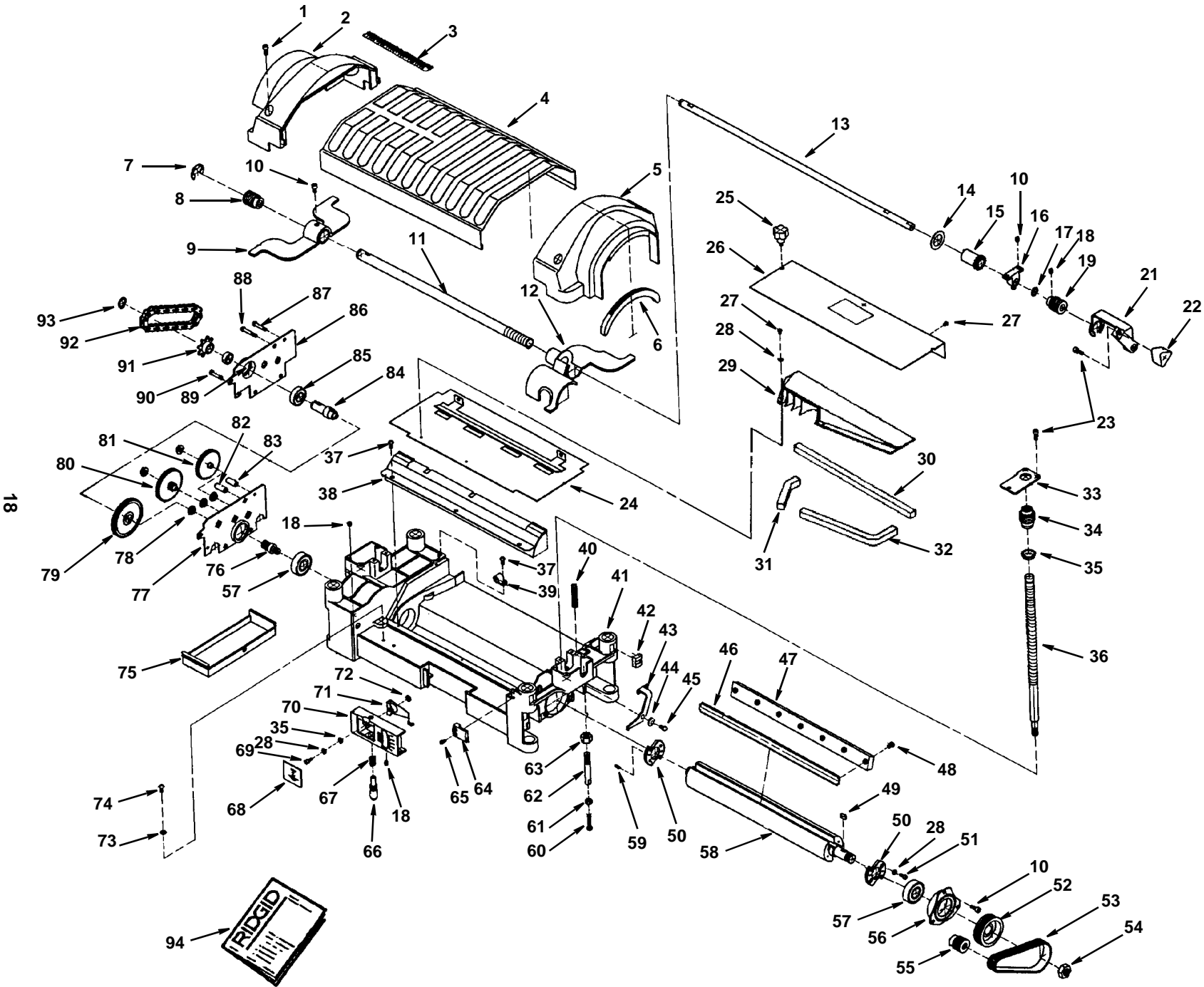
Repair Parts

Parts List for 13" Thickness Planer

Model No. TP13000

RIDGID parts are available on-line at www.ridgidparts.com

Figure 1



Repair Parts

Parts List for 13" Thickness Planer

Model No. TP13000

RIDGID parts are available on-line at www.ridgidparts.com

Figure 1

Always order by Part Number - Not by Key Number

Key No	Part No.	Description	Key No	Part No.	Description
1	820380-4	Scr Hex Soc Butt Hd M6 x 1.0-16	49	*	Key 5 x12mm
2	827681	Cap Left	50	827714	Collar Knife
3	827713	Scale Length	51	*	Scr Hex Soc Cap M4 x 0.75-8
4	827841	Cover Upper	52	827787	Pulley Cutter head
5	827682	Cap Right	53	827793	Belt Drive
6	827741	Pad Upper	54	827788	Nut Hex M6 x 2.0 L.H.
7	820632-4	Ring Retaining E15	55	827798	Pulley Motor
8	827769	Worm Gear L.H.	56	827786	Retainer Bearing
9	827720	Plate Lock Left	57	820722-5	Bearing Ball 6203ZZ
10	*	Scr Hex Soc Cap M5 x 0.8-12	58	827680	Head Cutter (Includes Collar knife, Retainer Bearing, Bearing Ball and Gear Pinion)
11	827717	Sleeve	59	813249-76	Pin Spring 3 x 8mm
12	827719	Plate Lock Right	60	*	Screw Hex Hd M5 x 0.8-26
13	827726	Shaft Transmission	61	*	Nut Hex M5 x 0.8
14	827766	Washer 21.5 x 24 x 1	62	827729	Rod Step
15	827724	Nut Lock M17 x 2.0	63	827817	Nut Special M10 x 1.5
16	827754	Support	64	827739	Indicator Depth
17	*	Washer 12 x 16 x 1	65	820401-2	Scr Pan Hd M3 x 0.5-16
18	*	Scr Soc Set Cup Pt M5 x 0.8-8	66	827733	Rod Pointer Elevating
19	827723	Worm Elevation	67	827734	Spring Coil 8.5X19X0.8
20			68	827746	Cover Pointer
21	827699	Handle	69	*	Scr Pan Cr M4 x 0.75-10
22	827716	Knob Snipe	70	827701	Housing Pointer
23	*	Scr Hex Soc Cap M5 x 0.8-10	71	827732	Pointer
24	827695	Chute Dust	72	*	Nut M4 x 0.75
25	827753	Knob Chute	73	*	Lockwasher Ext Tooth M5
26	827926	Cover Shroud	74	*	Scr Pan Hd TY TT M5 x 0.8-8
27	*	Scr Pan Hd M4 x 0.75-6	75	827783	Cover Gear Box
28	*	Washer 4.2 x 10 x 0.9	76	827784	Gear Pinion
29	827697	Manifold Air	77	827782	Cover Gearbox Inside
30	827932	Gasket Rear	78	827776	Bushing Gear
31	827930	Gasket Right	79	827779	Gear Large
32	827931	Gasket Left	80	827778	Gear Intermediate
33	827750	Cover	81	827777	Gear Small
34	827770	Worm Gear R.H.	82	827780	Spacer Undercut
35	827759	Bushing 4.2 x 11 x 3	83	827781	Spacer 9 x 20 x 5.5
36	827768	Screw Elevating R.H.	84	827775	Shaft Gear
37	*	Scr Pan Hd M5 x 0.8-6	85	820722-21	Bearing Ball 6002ZZ
38	827704	Plate Dust Chute	86	827774	Cover Gearbox Outside
39	827767	Clamp Cord	87	*	Scr Hex Soc Cap M5 x 0.8-25
40	827738	Spring Coil 9.14x44.45x0.8	88	*	Scr Hex Soc Cap M5 x 0.8-35
41	827678	Frame Upper	89	*	Scr Hex Soc Cap M5 x 0.8-30
42	827725	Block Support	90	827773	Spacer 15 x 20 x 7
43	827737	Spacer Cutter head Lock	91	827772	Sprocket
44	827751	Lock Cutter head	92	827794	Chain
45	*	Scr Pan Hd M5 x 0.8-12	93	817453-4	Ring Retaining Ext STW15
46	AC8630	† Knife Planer	94	SP6230	Owners Manual
47	827711	Bar Knife Lock			
48	827785	Screw Knife Lock			

* Standard Hardware Item - May be purchased locally.

† These replacement parts are available where you purchased your Planer.

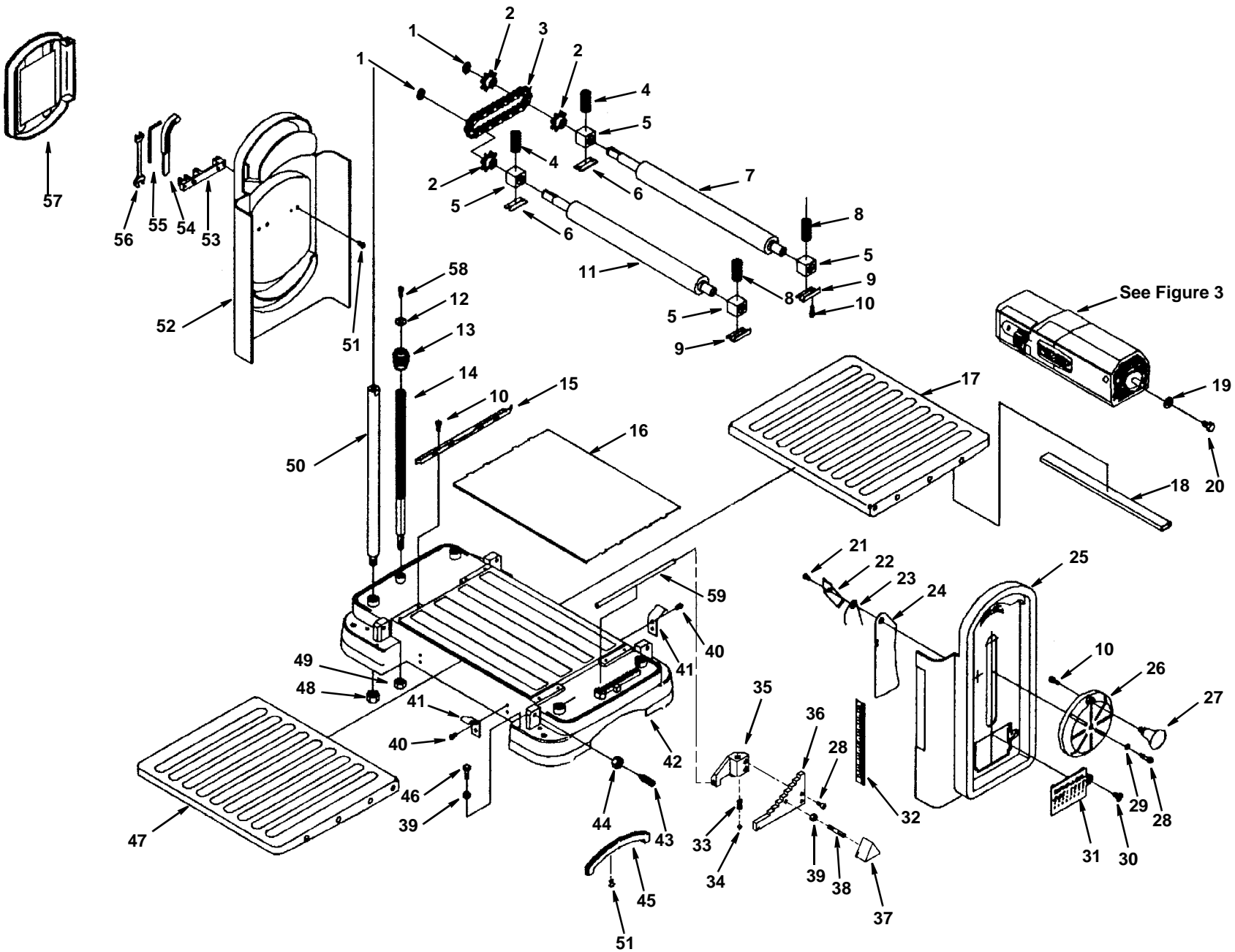
Repair Parts

Parts List for 13" Thickness Planer

Model No. TP13000

RIDGID parts are available on-line at www.ridgidparts.com

Figure 2



**Parts List for 13" Thickness Planer
Model No. TP13000**

RIDGID parts are available on-line at www.ridgidparts.com

Figure 2

Always order by Part Number - Not by Key Number

Key No	Part No.	Description
1	817453-4	Ring Retaining
2	827772	Sprocket
3	827794	Chain
4	827758	Spring Coil Left
5	827790	Block Bearing
6	827791	Plate Retainer Left
7	827693	Roller Outfeed
8	827755	Spring Coil Right
9	827792	Plate Retainer Right
10	*	Scr Hex Soc Cap M5 x 0.8-10
11	827692	Roller Infeed
12	*	Washer 5.5 x 19 x 2
13	827722	Worm Gear R.H.
14	827735	Screw Elevating L.H.
15	827705	Rail Guide
16	827694	Plate Wear
17	827688	Table Rear
18	827764	Case Knife (Knives not included)
19	*	Washer M8 x 23 x 2
20	*	Screw Hex Hd M8 x 1.25-25
21	*	Scr Pan Hd Ty "TT" M5 x 0.8-6
22	827928	Plate Stiffener
23	827744	Spring Torsion
24	827731	Plate Side Guard
25	827679	Cover Side Right
26	827696	Hub Handwheel
27	827749	Knob Handwheel
28	*	Scr Hex Soc Cap M5 x 0.8-15
29	*	Lockwasher M5
30	827929	Screw Hex Soc.FI Hd M6 x 1.0-12

Key No	Part No.	Description
31	827703	Cover Side RH
32	827715	Scale Thickness
33	827760	Spring Coil 7.62x15.75x0.7
34	823742-1	Ball Steel
35	827698	Block Guard
36	827700	Block Step
37	827743	Knob Step
38	827730	Pin Step Block
39	*	Nut Hex M6 x 1.0
40	*	Scr Pan Hd M5 x 0.8-10
41	827736	Spring Flat
42	827677	Base
43	827752	Bolt Adjustment
44	827817	Nut Hex Special M10 x 1.5
45	827742	Pad Base
46	*	Scr Hex M6 x 1.0-25
47	827685	Table Front
48	*	Nut Hex M12 x 1.75
49	817449-4	Nut Lock M10 x 1.5
50	827718	Rod Support
51	*	Scr Pan Hd Ty "TT" M5 x 0.8-8
52	827684	Cover Side Left
53	827771	Holder Tool
54	827748	Tool Knife
55	*	Wrench Hex "L" 4mm
56	827756	Wrench Box M8 & M10
57	827927	Cover Tool Box
58	*	Scr Hex Soc Cap M5x0.8-8
59	827728	Rod Pivot

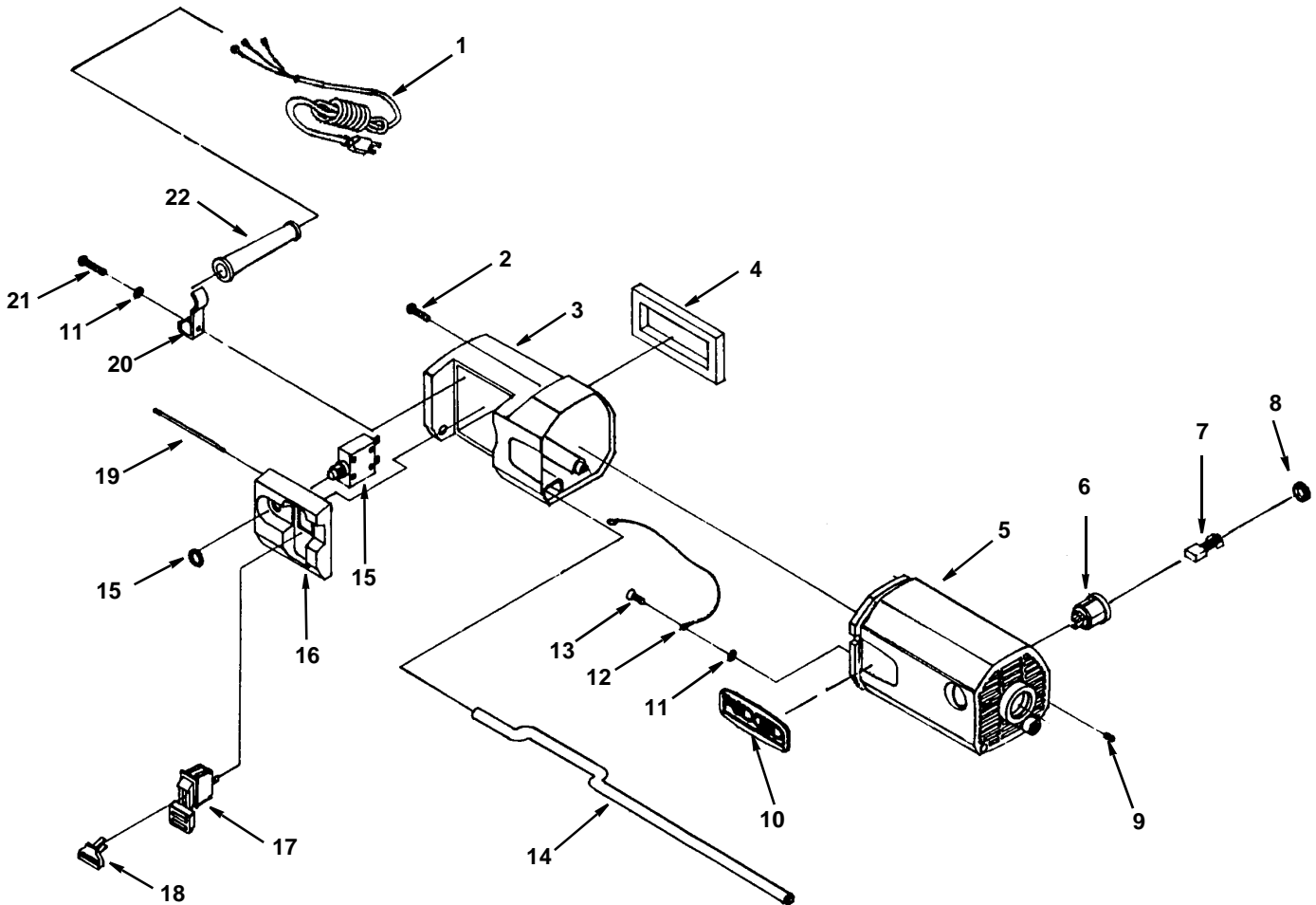
* Standard Hardware Item - May be purchased locally.

Parts List for 13" Thickness Planer

Model No. TP13000

RIDGID parts are available on-line at www.ridgidparts.com

Figure 3



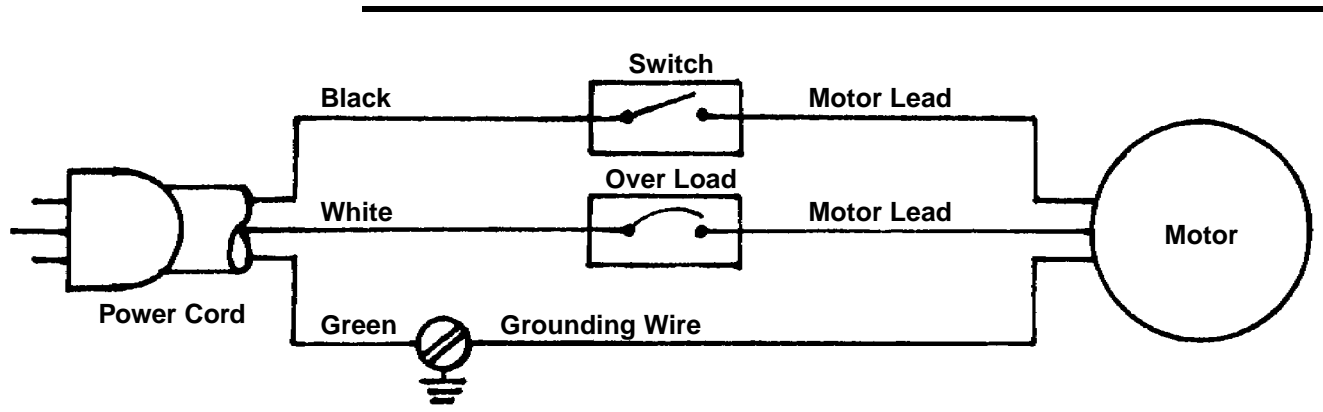
Always order by Part Number - Not by Key Number

Key No.	Part No.	Description
1	827808	Cord w/plug
2	*	Screw Pan Hd M5 x 0.8-20
3	827689	Housing Switch
4	827740	Gasket Foam
5	827890	Motor (Includes Brushes)
6	827809	Holder Brush
7	827811	Brush
8	827810	Cap Brush
9	*	Screw Hex Soc Set M5 x 0.8-12
10	826463-4	Label 3D RIDGID
11	*	Lockwasher M5

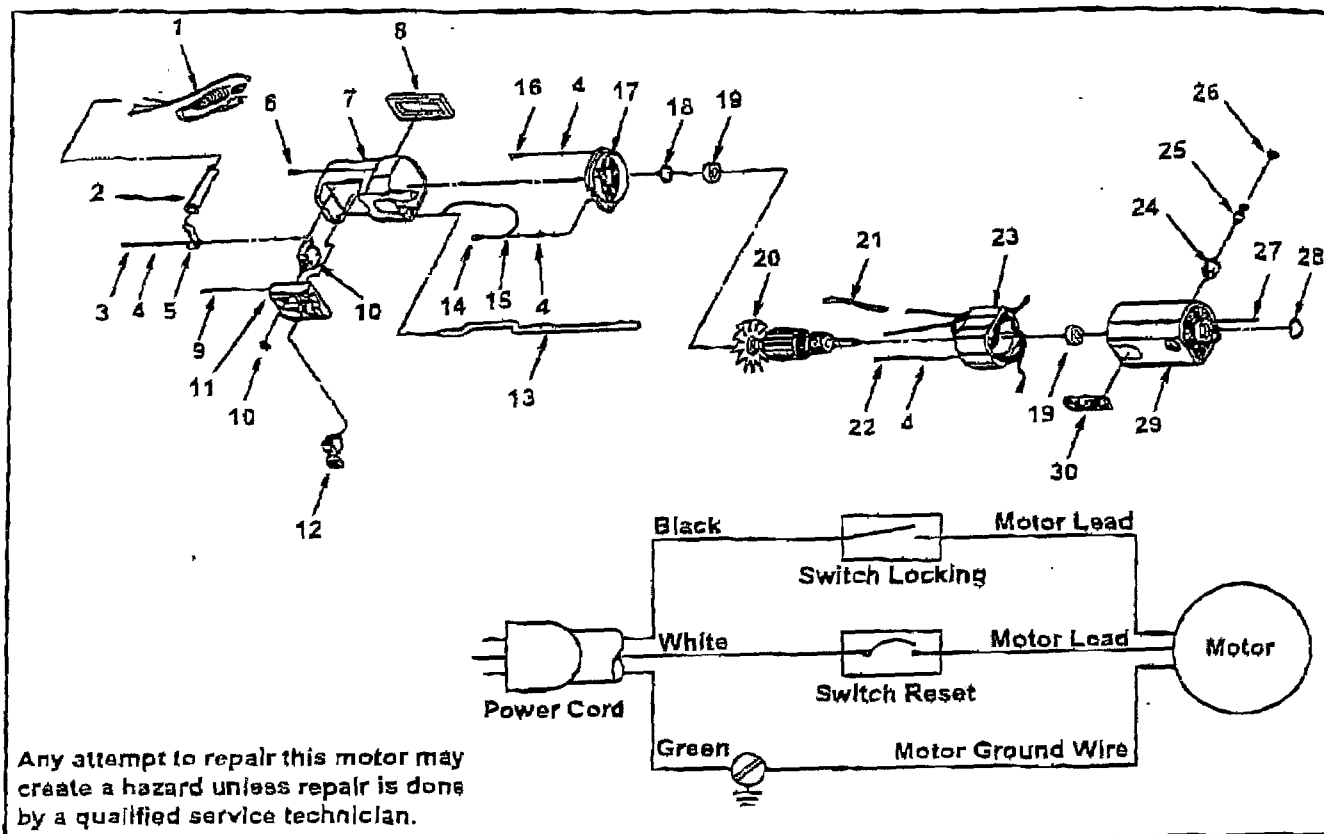
Key No.	Part No.	Description
12	827812	Lead Ground
13	*	Screw Pan Hd Ty "TT" M5 x 0.8-8
14	827807	Rod Motor Pivot
15	827806	Switch Reset (Includes Nut)
16	827708	Bezel Switch
17	826347	Switch Locking
18	AC1000	†Key Switch
19	827797	Screw Special
20	827798	Clamp Cord
21	*	Screw Pan Hd. M5 x 0.8-30
22	827799	Guard Cord

* Standard Hardware Item - May be purchased locally.

† These replacement parts are available where you purchased your Planer.



**Motor Parts List for RIDGID 13 Inch Thickness Planer
-Model No. TP13000**



When ordering repair parts, always give the following information as shown in this list:

1. The part number
2. The part name
3. The model number
4. The name of item

Always order by part number - Not by key number

Motor Number 827890

Key No.	Part No.	Description
1	827808	Cord W/Plug
2	827799	Guard Cord
3	820240-5	* Screw Pan Hd. M5 x 0.8-30
4	820383-4	* Lockwasher M5
5	827798	Clamp
6	820240-7	* Screw Pan Hd. M5 x 0.8-20
7	827689	Housing Switch
8	827740	Gasket Foam
9	827797	Screw Special
10	827806	Switch Reset w/Nut
11	827708	Bezel Switch
12	826347	Switch Locking
13	827807	Rod Motor Pivot
14	820257-1	* Screw Pan Hd. Ty TT M5-0.8-8
15	827812	Lead

Key No.	Part No.	Description
16	820248-6	Screw Pan Hd Ty AB M4 x 1.6-20
17	827707	Cap Motor End
18	820510-6	Washer Spring Wavy
19	820722-3	Bearing Ball 6201 LLB
20	827803	Armature -
21	827706	Sleeve
22	827933	Screw Pan Hd. Ty AB M4 .8-70
23	827801	Field Asm
24	827809	Holder Brush
25	827811	Brush
26	827810	Cap Brush
27	821065-3	* Screw Soc Set M5 x .0-12
28	826551-1	Ring Retaining RTW 32
29	827690	Housing Motor
30	826463-4	Label RIDGID