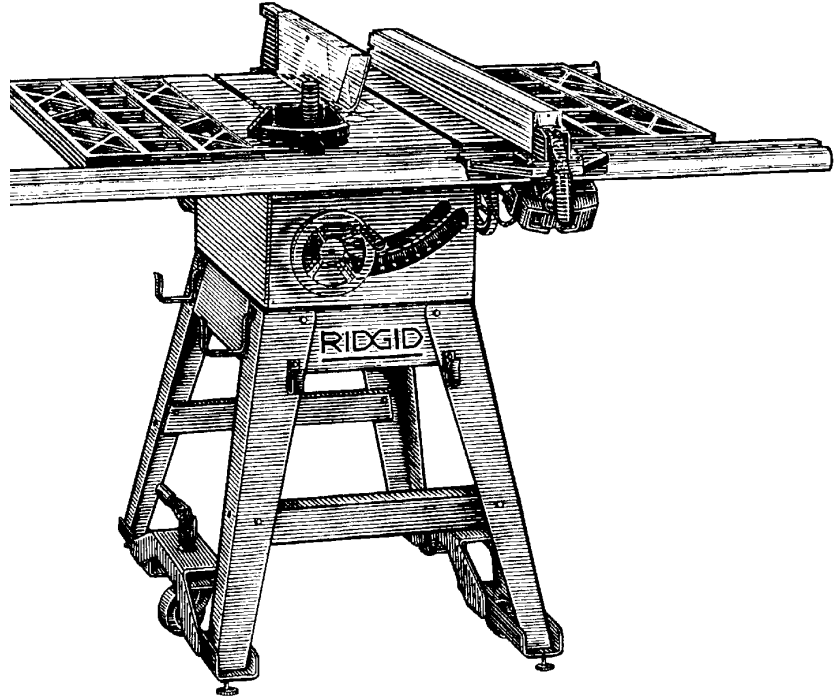


**RIDGID**®

# **TS2424 OWNER'S MANUAL**



## **10 INCH CONTRACTOR SERIES BELT DRIVE SAW**

- **Assembly**
- **Operation**
- **Repair Parts**

**For Your Safety:**

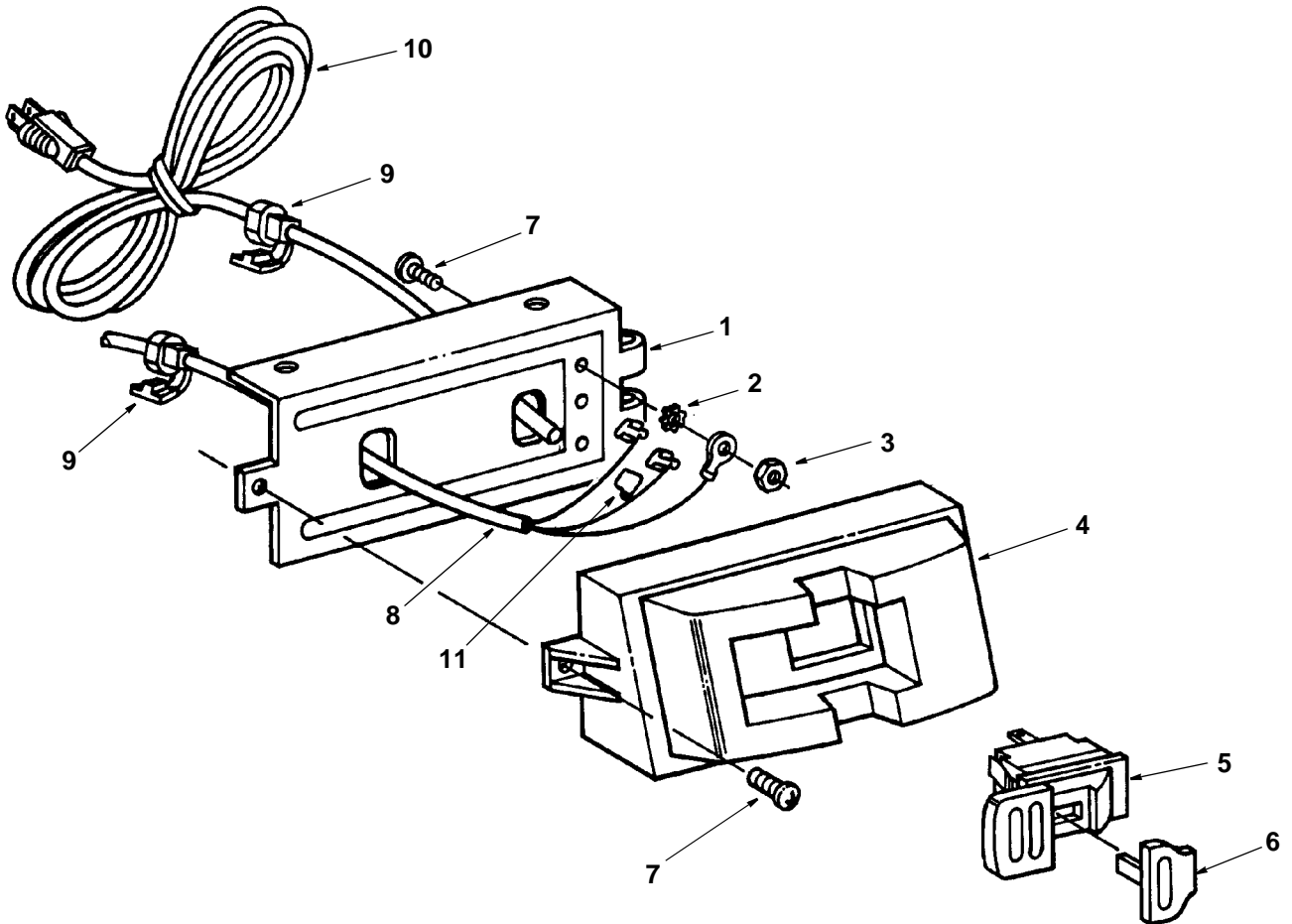
**Read all instructions carefully**

**QUESTIONS OR COMMENTS?**

**CALL 1-800-4-RIDGID**

## Parts List for RIDGID 10 Inch Table Saw Model TS24240

### Figure 1 - ON-OFF Power Outlet

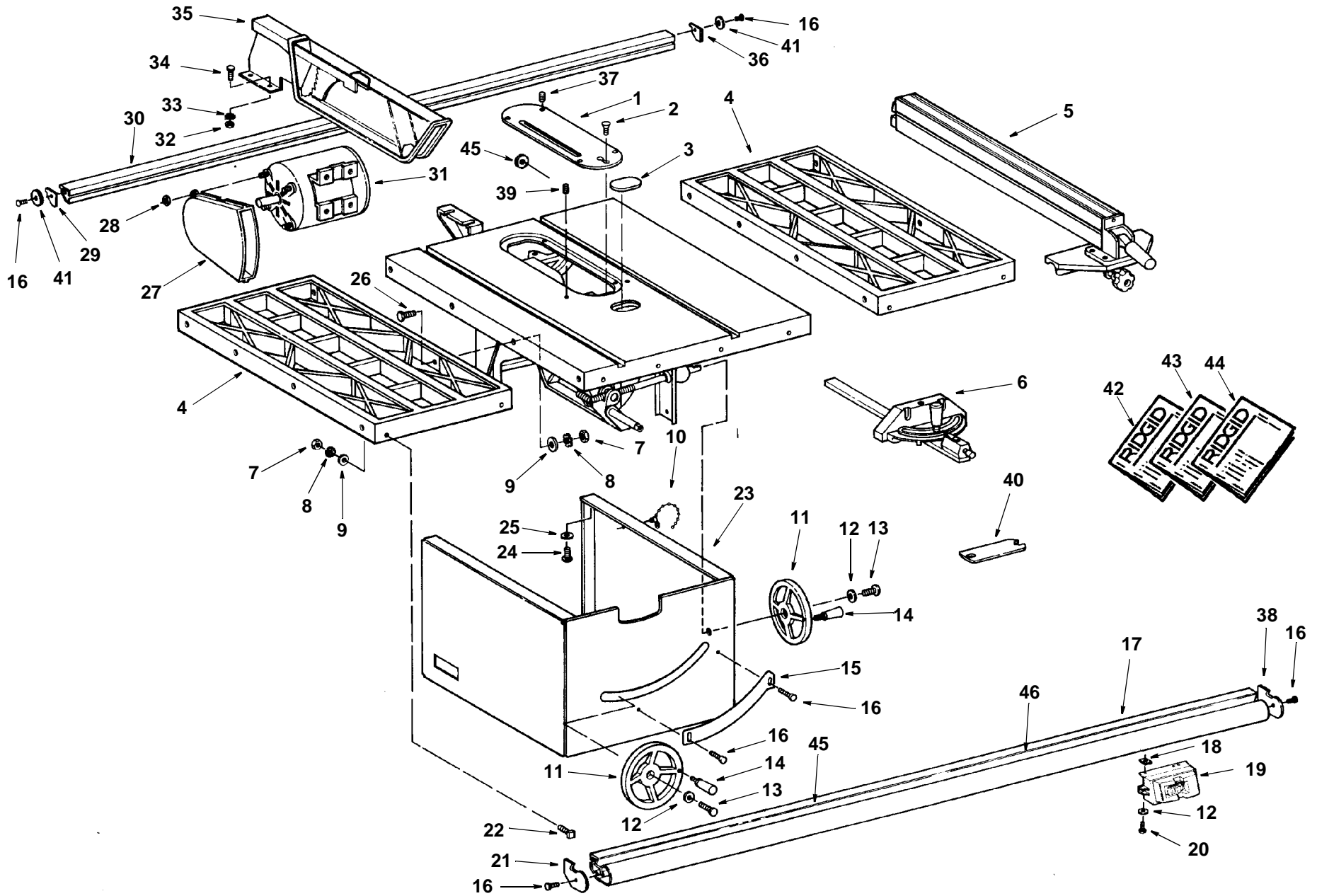


Always Order by Part Number - not by Key Number

Key No.	Part No.	Description
1	822150-1	Bracket, Switch Housing
2	*	Lockwasher #10
3	*	Nut Hex 10-32
4	826121	Box Switch
5	826123	Switch Locking
6	826122	Key Switch
7	*	Screw, Pan Hd. Ty "T" 10-32 x 3/8"
8	826452	Cord
9	826450	Strain Relief
10	826451	Cord w/Plug
11	63467	Cap, Insulator

\* Standard Hardware Item - May be purchased locally

Parts List for RIDGID 10 Inch Table Saw  
 Model No. TS24240  
 Figure 2



**Parts List for RIDGID 10 Inch Table Saw  
Model No. TS24240**

**Figure 2**

Always Order by Part Number - not by Key Number

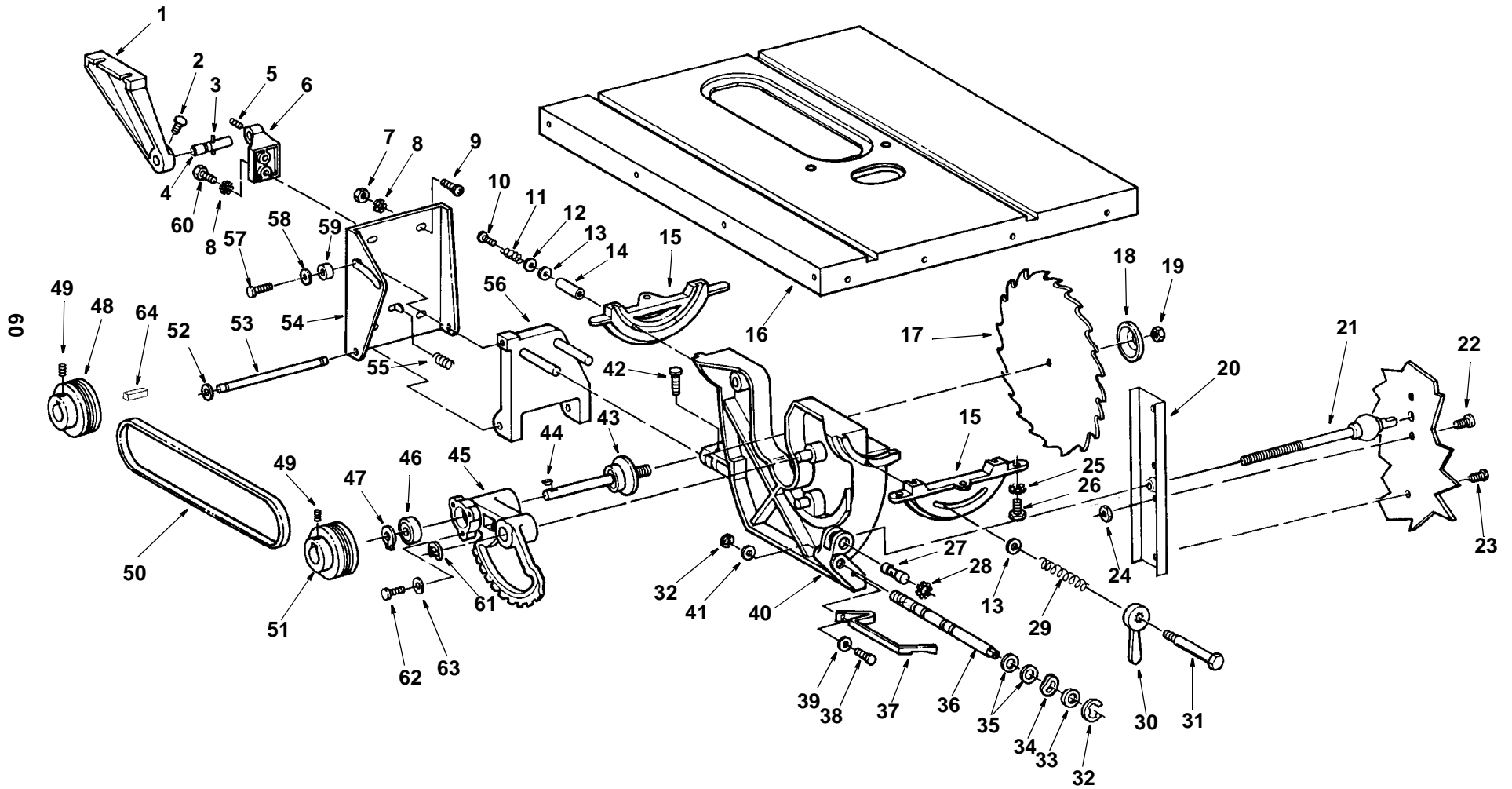
Key No.	Part No.	Description
1	509492	Insert (Includes Key #37)
2	*	Screw Flat Hd 10-32 x 1
3	826390	Insert Ind-I-Cut
4	824609-2	Extension Table
5	— — —	Fence Asm (See Fig 4)
6	— — —	Miter Gauge (See Fig 5)
7	*	Nut Hex 5/16-18
8	*	Lockwasher 5/16
9	*	Washer 21/64 x 5/8 x 1/16
10	71165	Tie Wire
11	824572	Wheel Hand
12	*	Lockwasher #10
13	*	Screw Pan Hd 10-32 x 5/8
14	826505	Knob Handwheel
15	826518	Scale Adjustable Bevel
16	*	Screw Pan Hd Ty "AB" 8 x 1/2
17	824345	Rail Front w/Scales
18	822138-1	Nut Sq 10-32
19	— — —	Switch Box (See Fig 1)
20	*	Screw Pan Hd 10-32 x 3/8
21	824341-1	Cap Front Rail Left
22	159653-38	Bolt Sq. Hd 5/16-18 x 1
23	826465	Base

\* Standard Hardware Item - May be purchased locally

Key No.	Part No.	Description
24	*	Screw Hex Hd 3/8-16 x 1/2
25	*	Lockwasher 3/8
26	*	Screw Hex Hd 5/16-18 x 1-1/4
27	824360-1	Guard Belt
28	*	Nut 10-32
29	824373-1	Cap Rear Rail Left
30	824340-6	Rail Rear
31	826187	• Motor
32	*	Nut Hex 1/4-20
33	*	Lockwasher 1/4
34	*	Screw Hex Hd 1/4-20 x 5/8
35	— — —	Guard Assembly (See Fig 6)
36	824372-1	Cap Rear Rail Right
37	104879	Screw Lock Set 10-32 x 3/16
38	824339-1	Cap Front Rail Right
39	818463	Screw Soc Set Oval 3/8-16 x 3/4
40	3540	Wrench, Arbor
41	805548-11	Washer 3/16 x 1 x 1/16
42	SP6127	Owners Manual
43	SP6163A	Owners Manual-Spanish
44	SP6163B	Owners Manual-French
45	818309	Washer Shim
46	824357	Tape Fence 24"

• Any attempt to repair this motor may create a hazard unless repair is done by a qualified service technician. Repair service is available at your nearest Authorized Service Center.

Parts list for RIDGID 10 Inch Table Saw  
Model No. TS24240  
Figure 3



**Parts List for RIDGID 10 Inch Table Saw  
Model TS24240**

**Figure 3**

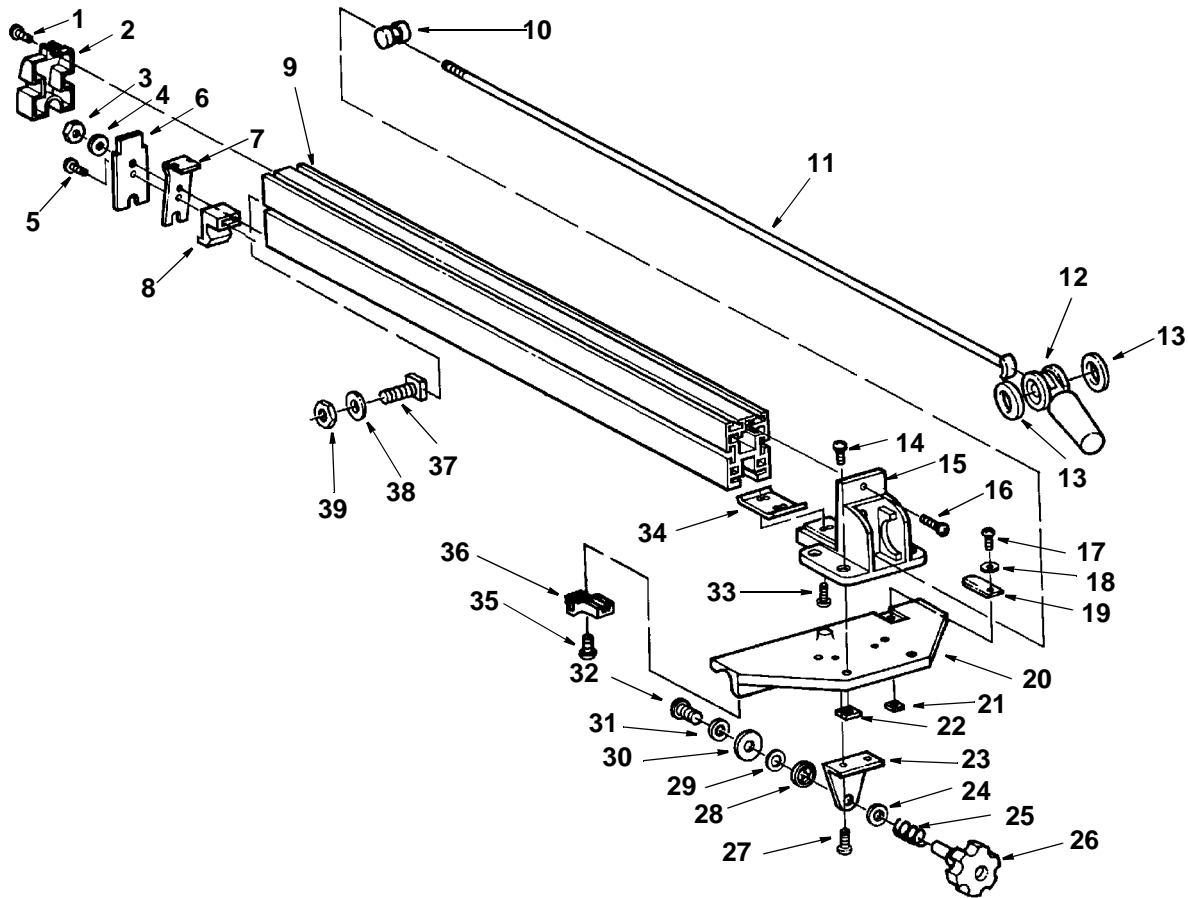
Always Order by Part Number - not by Key Number

Key No.	Part No.	Description
1	804846-1	Support, Spreader
2	60204	Screw, Thumb 5/16-18 x 1
3	*	Pin, Roll 3/16 x 1-1/4
4	62585	Rod Spreader
5	*	Screw, Socket Set 5/16-18 x 1/2
6	825914-2	Support, Guard
7	*	Nut, Hex 5/16-18
8	*	Lockwasher, External 5/16
9	*	Bolt, Carriage 5/16-18 x 3/4
10	*	Screw, Hex Ind. Wash. Hd. 1/4-20 x 1-1/2
11	60205	Spring
12	*	Washer, .380 x 47/64 x 3/32
13	63011	Washer, Knob Clamp
14	62295	Spacer
15	810867-1	Table, Trunnion
16	826454-1	Table, 10 In. Saw
17	826482	Blade, Saw 10" 40T Carbide
18	804667-1	Collar, Blade
19	6362	Nut, Arbor
20	824637-1	Stiffener Base
21	826392	Screw, Tilt
22	*	Screw, Pan Hd. 10-32 x 3/8
23	*	Screw, Pan Hd. Ty AB #10 x 1/2
24	*	Nut, Lock 10-32
25	*	Lockwasher, External 3/8
26	*	Screw, Hex Hd. 3/8-16 x 1
27	826391	Nut, Tilt
28	63054	Ring, Retaining 3/4
29	37828	Spring, Clamp Screw
30	162000-1	Handle Clamp Screw
31	37829	Screw, Clamp
32	*	Ring, Retaining

Key No.	Part No.	Description
33	37838	Washer, .629 x 7/8 x 1/64
34	60178	Washer, Spring
35	*	O-Ring
36	62697	Screw, Lift
37	62699	Pointer
38	*	Screw, Pan Hd. Ty "T" 10-32 x 3/8
39	*	Lockwasher, External No. 10
40	509495	Cradle
41	30767	Washer, End Play (.010 Thick)
42	*	Screw, Hex Hd. 5/16-18 x 5/8
43	508511	Arbor
44	*	Key, Woodruff #9
45	826464	Housing, Arbor (Includes Keys 43 thru 47 & 62, 63)
46	820015	Bearing, Saw Arbor
47	*	Ring Retaining 5/8
48	826475	Pulley, Poly-V 2.2
49	*	Screw, Soc Set Oval 5/16-18 x 5/16
50	816439-3	Belt, Poly-V 41.7
51	826476	Pulley, Poly-V 2.5
52	*	Ring, Retaining 3/8
53	37823	Pin Hinge
54	509494	Base, Motor
55	818527	Spring
56	509491	Support, Motor Base
57	30628	Screw, Hex Lock 1/4-20 x 5/8
58	*	Washer, 17/64 x 47/64 x 1/16
59	818528	Spacer
60	*	Screw Hex Hd 5/16-18 x 1
61	6527	Ring Retaining 3/4
62	*	Screw Ty "T" 8-32 x 3/8
63	*	Washer 3/16 x 5/8 x 1/16
64	*	Key Square 3/16 x 1-1/4

\* Standard Hardware Item - May be purchased locally

## Parts List for RIDGID 10 Inch Table Saw Model No. TS24240 Figure 4 - Fence Assembly



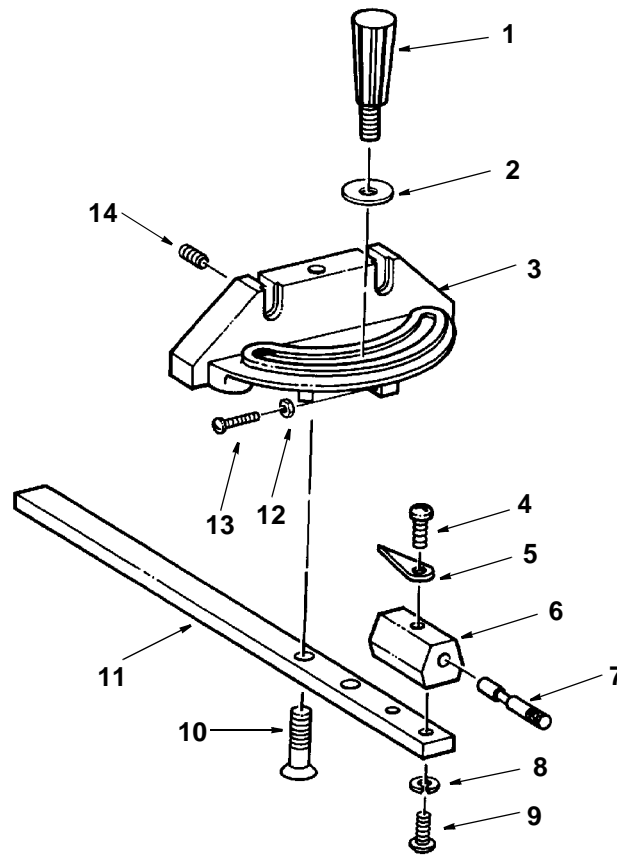
Always Order by Part Number - not by Key Number

Key No.	Part No.	Description
1	809492-7	Screw Pan Hd. Ty "T" 8-32 x 1
2	824350-1	Cap Channel Rear
3	*	Nut Lock 5/16-18
4	*	Washer 21/64 x 5/8 x 1/16
5	*	Screw Pan Hd. Ty "T" 10-32 x 5/8
6	824328-1	Plate Lock
7	824332	Spring Lock
8	824349-1	Slide Rear Fence
9	824346	Channel Fence
10	824329	Pin Cam
11	824342	Rod Fence Lock
12	824353-1	Handle Cam
13	824326	Bearing Ball Angular Contact
14	824347-2	Scr Hex Soc Butt Hd 1/4-20 x 3/4
15	824279-1	Housing Rip Fence
16	*	Screw Pan Hd Ty "T" 8-32 x 1/2
17	*	Screw Pan Hd 10-32 x 1/2
18	*	Washer 13/64 x 5/8 x 1/32
19	824334-1	Indicator
20	826032	Head
21	822138-1	Nut Sq 10-32

Key No.	Part No.	Description
22	62636	Nut Sq 1/4-20
23	824325-1	Bracket Micro Adjust
24	824282	Bushing
25	824356	Spring Compression
26	824355-1	Knob Micro Adjust
27	*	Screw Pan Hd. Ty "T" 10-32 x 1/2
28	802612-13	Nut Push 7/16
29	*	Washer 13/64 x 3/8 x 1/32
30	826196	Bumper Rubber
31	*	Lockwasher #10
32	*	Screw Pan Hd 10-32 x 3/4
33	9422329	Screw Hex Wash Hd Ty "T" 1/4-20 x 3/4
34	824330-1	Plate Fence Channel
35	*	Screw Pan Hd. Ty "T" 8-32 x 3/8
36	825823	Slide Fence Hd.
<b>Hardware For Attaching Wood Facing</b>		
37	159653-3	Bolt Sq. Hd. 1/4-20 x 3/4
38	*	Washer 17/64 x 5/8 x 1/16
39	*	Nut Hex 1/4-20

\* Standard Hardware Item - May be purchased locally

**Parts List for RIDGID 10 Inch Table Saw  
Model No. TS24240  
Figure 5 - Miter Gauge Assembly**



Always Order by Part Number - not by Key Number

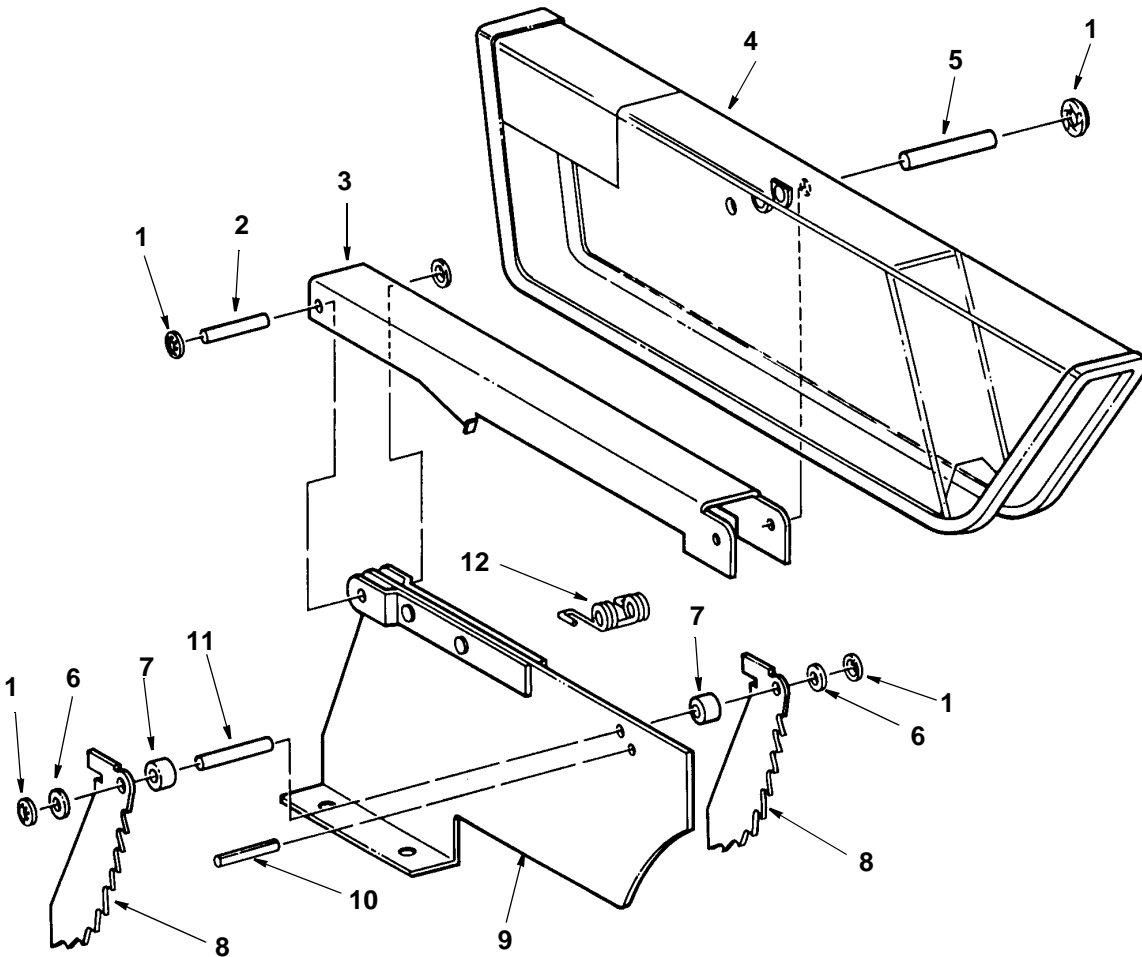
Key No.	Part No.	Description
—	826661	Miter Gauge, Complete
1	826506	Knob
2	*	Washer 8 x 23 x 1.8
3	826663	Gauge, Miter
4	*	Screw, Pan Hd. 8/32 x 5/16
5	123069-1	Indicator
6	824573-1	Block, Miter Gauge Indicator
7	824570	Pin, Miter
8	*	Lockwasher #8
9	*	Screw, Pan Hd 8-32 x 5/8
10	818470-4	Screw Flat Hd. M6 x 1.0-16
11	826662	Rod, Miter Gauge
12	*	Nut Hex 6-32
13	*	Screw Pan Hd. 6-32 x 5/8
14	818471-6	Screw, Set 5 x 0.8-5



## Parts List for RIDGID 10 Inch Table Saw

Model No. TS24240

Figure 6 - Guard Assembly

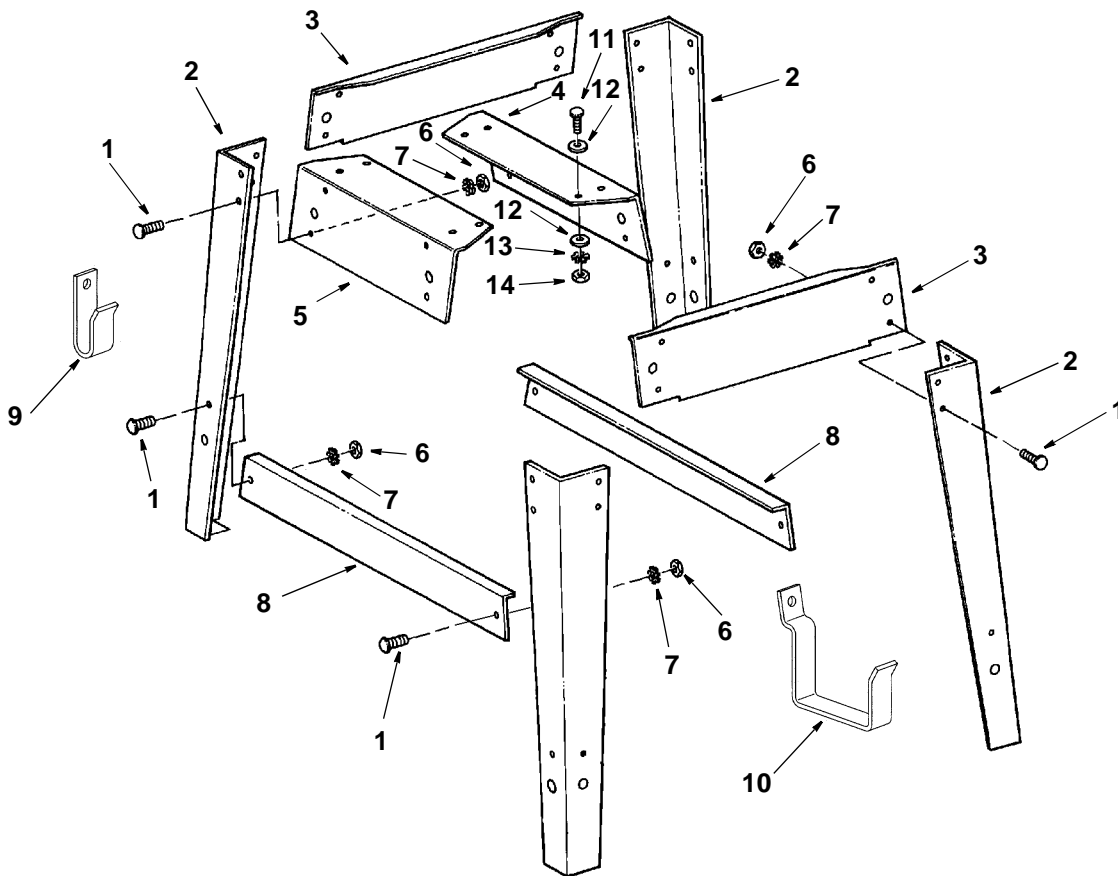


Always Order by Part Number - not by Key Number

Key No.	Part No.	Description
—	826519	Guard Asm. Complete
1	60208	Nut Push
2	62391	Pin 1/4 x 1-1/2
3	803528-1	Support, Guard
4	826466	Guard, Saw
5	62390	Pin, 1/4 x 1-3/4
6	*	Washer, 17/64 x 5/8 x 1/16
7	62520	Spacer, Pawl
8	813146-1	Pawl
9	804845-1	Spreader Blade
10	62410	Pin, 1/4 x 1
11	*	Pin, Roll 3/16 x 15/16
12	62519	Spring, Pawl

\* Standard Hardware Item - May be purchased locally

## Parts List for RIDGID 10 Inch Table Saw Model No. TS24240 Figure 7 - Leg Set

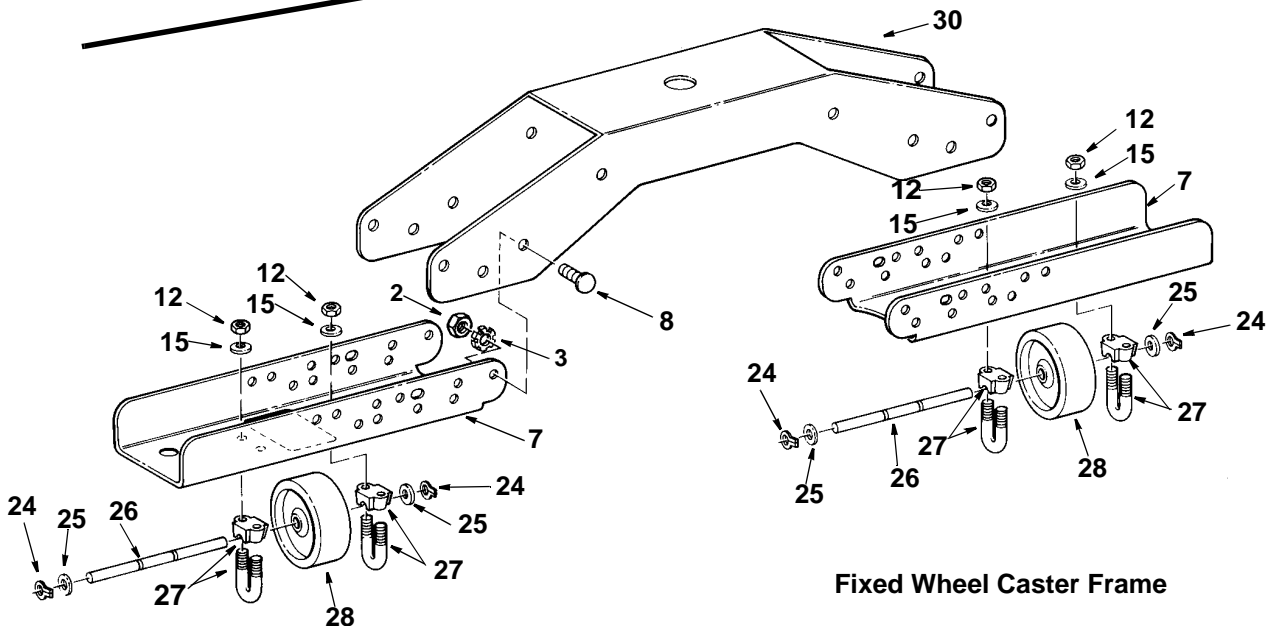
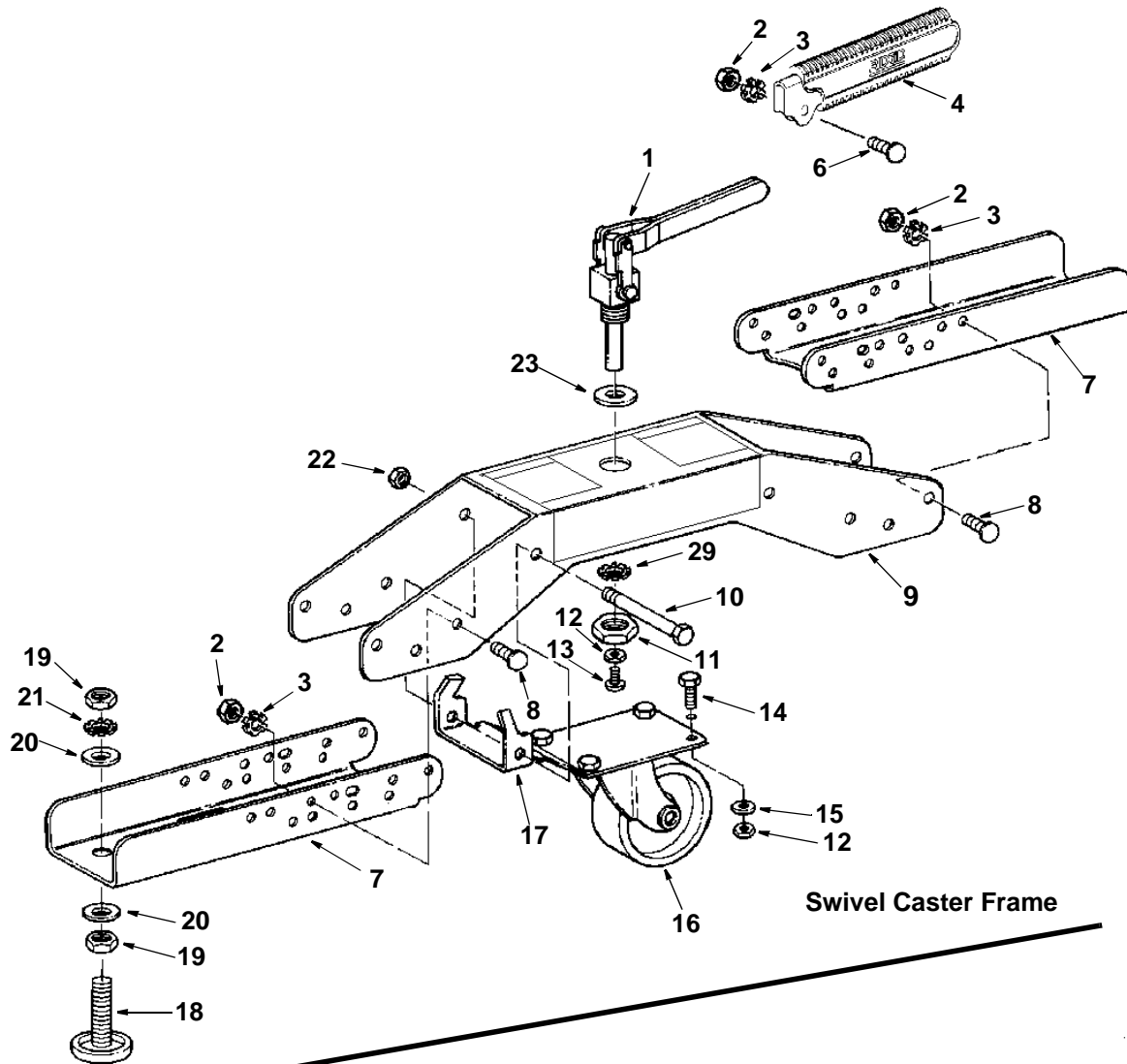


Key No.	Part No.	Description
1	805589-5	Screw, Serrated Truss Head. 1/4-20 x 1/2
2	826113	Leg
3	826116	Stringer, Side
4	826115	Stringer, End
5	509511	Stringer, End w/Label
6	*	Nut Hex, 1/4-20
7	*	Lockwasher 1/4
8	826114-1	Brace Leg (Short)
9	824832	Hanger, Miter Gauge
10	824833	Hanger, Rip Fence
<b>Hardware for Attaching Legs to Saw</b>		
11	*	Screw, Hex Hd. 5/16-18 x 1-1/4
12	*	Washer, 11/32 x 11/16 x 1/16
13	*	Lockwasher, Ext. 5/16
14	*	Nut, Hex 5/16-18

\* Standard Hardware Item - May be purchased locally

# Repair Parts

## Parts List for RIDGID Universal Caster System Model No. TS24240



## Parts List for RIDGID Universal Caster System Model No. TS24240

Always order by part number - Not by key number

Key No.	Part No.	Description
1	825899	Actuator Caster
2	*	Nut Hex 1/4-20
3	*	Lockwashers 1/4
4	826824	Handle Caster
5		
6	*	Screw Hex Hd. 1/4-20 x 3/4
7	825904-1	Frame Caster End
8	805589-5	Screw Truss Hd. 1/4-20 x 1/2
9	826594	Frame Caster w/Label
10	805466-13	Bolt Hex Hd. 5/16-18 x 4-1/4
11	60484	Nut Hex 3/4-16
12	*	Nut Hex 5/16-18
13	806481-1	Bolt Soc Button Hd. 5/16-18 x 1
14	*	Bolt Hex Hd. 5/16-18 x 5/8
15	*	Lockwasher 5/16
16	825898	Caster Swivel
17	825905-1	Hinge Caster
18	803835-2	Foot Leveling 3"
19	*	Nut Hex 3/8-16
20	*	Washer 3/8 x 7/8 x 5/64
21	*	Lockwasher 3/8
22	*	Nut Lock 5/16-18
23	*	Washer 3/4 x 1-15/32 x 3/32
24	*	Ring Retaining
25	*	Washer 17/64 x 5/8 x 1/32
26	825910	Shaft Caster
27	825902	Mount Axle Caster
28	825901	Wheel Rubber 2-1/2
29	*	3/4" External Tooth Lockwasher
30	825903-1	Frame Caster Center

\* Standard hardware item - may be purchased locally