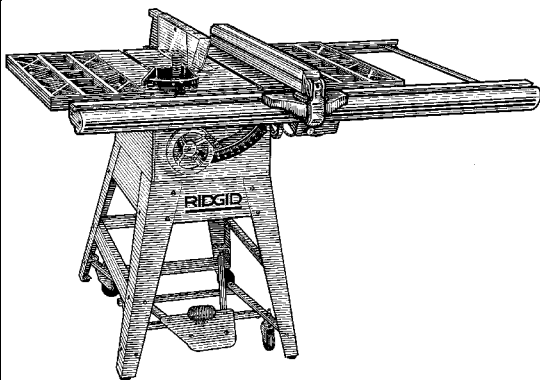


RIDGID®

TS3612 OWNERS MANUAL



10 INCH CONTRACTOR SERIES BELT DRIVE SAW

Call Us 1st

For any questions about:

- Operation
- Warranty (See back cover)
- Technical Assistance
- Repair Parts

*Please have your Model Number and
Serial Number on hand when calling.*

1-800-4-RIDGID

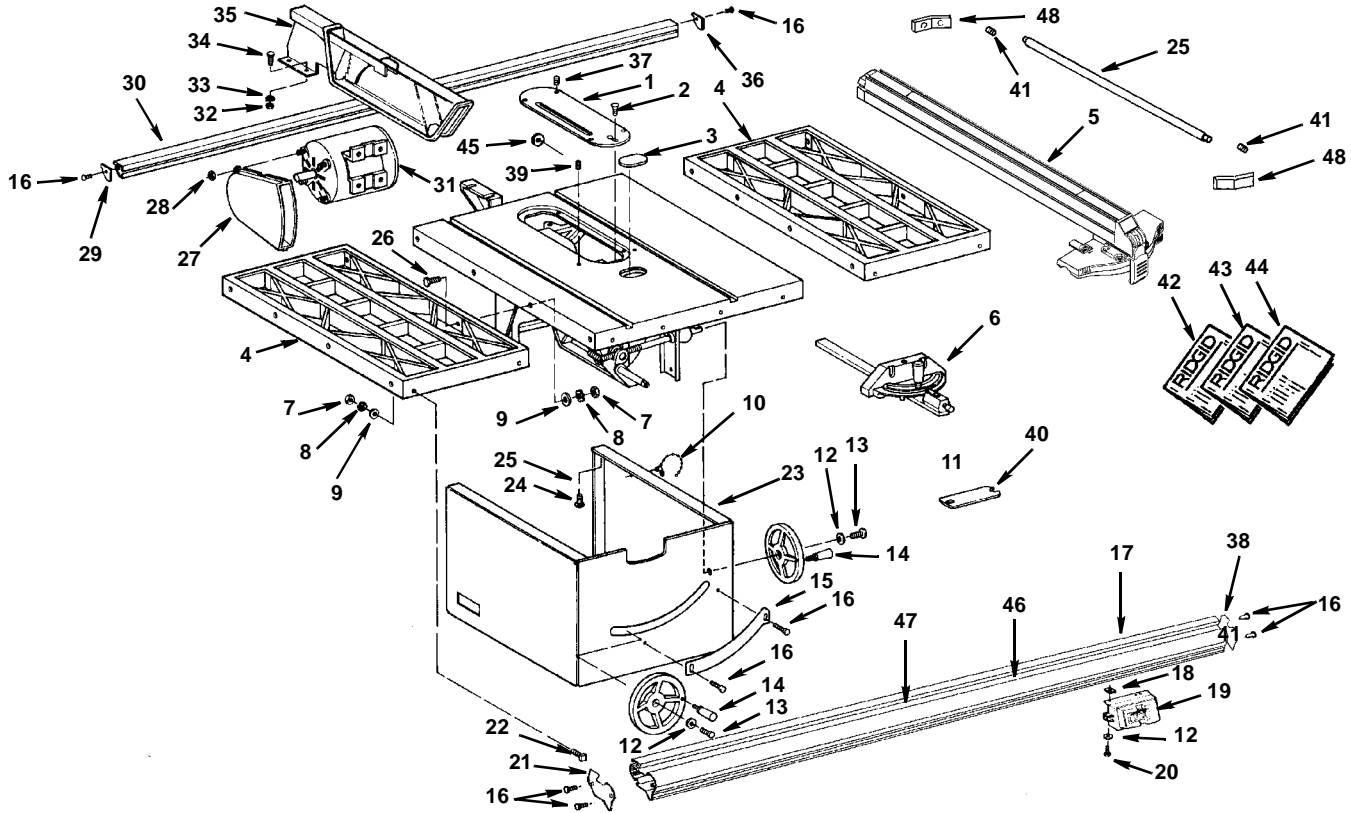
RIDGID Parts.com

POWER TOOL PARTS
& ACCESSORIES

For Your Safety:
Read all instructions carefully
Save this manual for future
reference

Parts List for RIDGID 10 Inch Table Saw Model No. TS36120
 RIDGID parts are available on-line at www.ridgidparts.com

Figure 1



Always Order by Part Number - not by Key Number

Key No.	Part No.	Description
1	829768	Insert (Includes Set Screws)
2	809374	*Screw, Flat Hd 10-32 x 1
3	826390	Insert, Ind-I-Cut
4	824609-2	Extension, Table
5	-----	Fence Asm (See Fig 4)
6	-----	Miter Gauge (See Fig 5)
7	805482	*Nut, Hex Jam 5/16-18
8	131201	*Lockwasher 5/16
9	118774	*Washer 11/32 x 11/68 x 1/16
10	71165	Tie, Wire
11	824572-1	Wheel, Hand
12	114603	*Lockwasher #10
13	809372-7	*Screw, Pan Hd 10-32 x 5/8
14	826505-1	Knob, Handwheel
15	826518	Scale, Adjustable Bevel
16	448013	*Screw, Pan Hd Ty "AB" 8 x 1/2
17	829708	Rail, Front w/Scales
18	822138-1	Nut, Sq 10-32
19	-----	Switch Box (See Fig 1)
20	808277-7	*Screw, Pan Hd 10-32 x 3/8
21	829696	Cap, Front Rail Left
22	159653-38	Bolt, Sq. Hd 5/16-18 x 1
23	826465-1	Base
24	423567	*Screw, Hex Hd 3/8-16 x 1/2
25	827583	Rod, Support
26	805467	*Screw, Hex Hd 5/16-18 x 1-1/4
27	824360-1	Guard, Belt

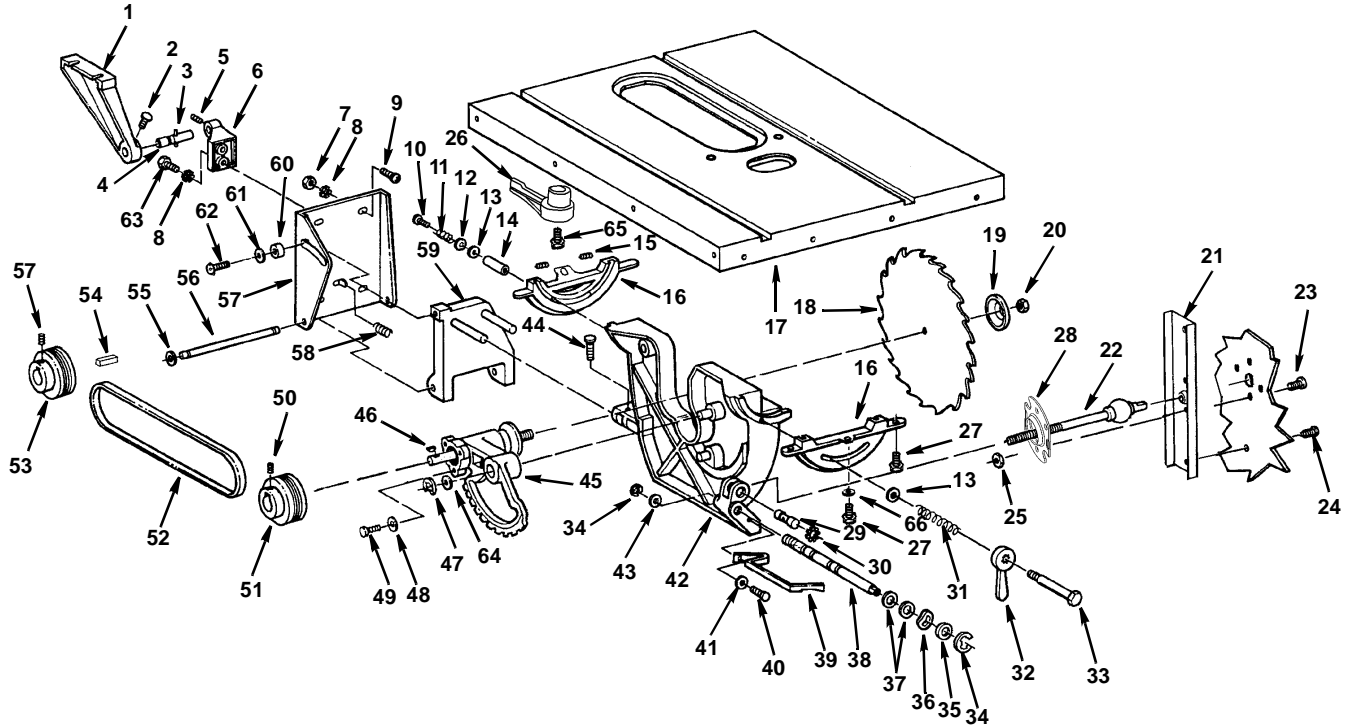
Key No.	Part No.	Description
28	120614	*Nut 10-32
29	824373-1	Cap, Rear Rail Left
30	827861	Rail, Rear
31	826187	•Motor
32	805478-1	*Nut, Hex 1/4-20
33	114604	*Lockwasher 1/4
34	805461-4	*Screw, Hex Hd 1/4-20 x 5/8
35	-----	Guard, Assembly (See Fig 6)
36	824372-1	Cap, Rear Rail Right
37	60462	Screw, Hex Sc 10-32 x 3/16
38	829695	Cap, Front Rail Right
39	818463	Screw, Soc Set Oval 3/8-16 x 3/4
40	822384-1	Wrench, Arbor
41	141669-35	Screw, Soc Set 10-32 x 7/16
42	SP6461	Owners Manual
43	SP6461S	Owners Manual-Spanish
44	SP6461F	Owners Manual-French
45	818309	Washer Shim
46	829697	Tape, Fence 12" Right
47	829698	Tape, Fence 36" Left
-	509787	Bag Asm, Guide Bars
-	509271	Bag Asm, Table Extensions
-	509791	Bag Asm, Miscellaneous
-	509790	Bag Asm, Trim
-	509789	Bag Asm - Includes Bag Asm Trim, Extensions and Miscellaneous
48	827585	Plate, Support Rod

* Standard Hardware Item - May be purchased locally

- Items Not Shown

• Any attempt to repair this motor may create a hazard unless repair is done by a qualified service technician. Repair service is available at your nearest Authorized Service Center.

Parts list for RIDGID 10 Inch Table Saw Model No. TS36120
RIDGID parts are available on-line at www.ridgidparts.com
Figure 2



Always Order by Part Number - not by Key Number

Parts List for RIDGID 10 Inch Table Saw

Model TS36120

RIDGID parts are available on-line at www.ridgidparts.com

Figure 2

Key No.	Part No.	Description
34	30442	* Ring, Retaining
35	37838	Washer, .629 x 7/8 x 1/64
36	60178	Washer, Spring
37	30653	* O-Ring
38	62697	Screw, Lift
39	62699	Pointer
40	448033	* Screw, Pan Hd. Ty "T" 10-32 x 3/8
41	114603	* Lockwasher, External No. 10
42	509495	Cradle
43	30767	Washer, End Play (.010 Thick)
44	805467-3	* Screw, Hex Hd. 5/16-18 x 5/8
45	826464	Housing and Arbor
46	106751	* Key, Woodruff #9
47	6527	Ring Retaining 3/4
48	9416712	* Washer 3/16 x 5/8 x 1/16
49	809169-3	* Screw Ty "T" 8-32 x 3/8
50	141669-31	* Screw, Soc Set Oval 5/16-18 x 1/2
51	826476	Pulley, Poly-V 2.5
52	816439-3	Belt, Poly-V 41.7
53	826475	Pulley, Poly-V 2.2
54	803744-3	* Key Square 3/16 x 1-1/4
55	60044	* Ring, Retaining 3/8
56	37823	Pin Hinge
57	509494	Base, Motor
58	818527	Spring
59	509491	Support, Motor Base
60	818528	Spacer
61	60005	* Washer, 17/64 x 47/64 x 1/16
62	829782	Screw, Soc Button 1/4-20
63	805467-6	Screw Hex Hd 5/16-18 x 1
64	60384	Washer .758 x 1-1/4 x .074
65	828328-1	Screw Hex Hd w/Washer 3/8-16 x 1-3/8
66	805557-5	* Washer 13/32 x 13/16 x 1/16

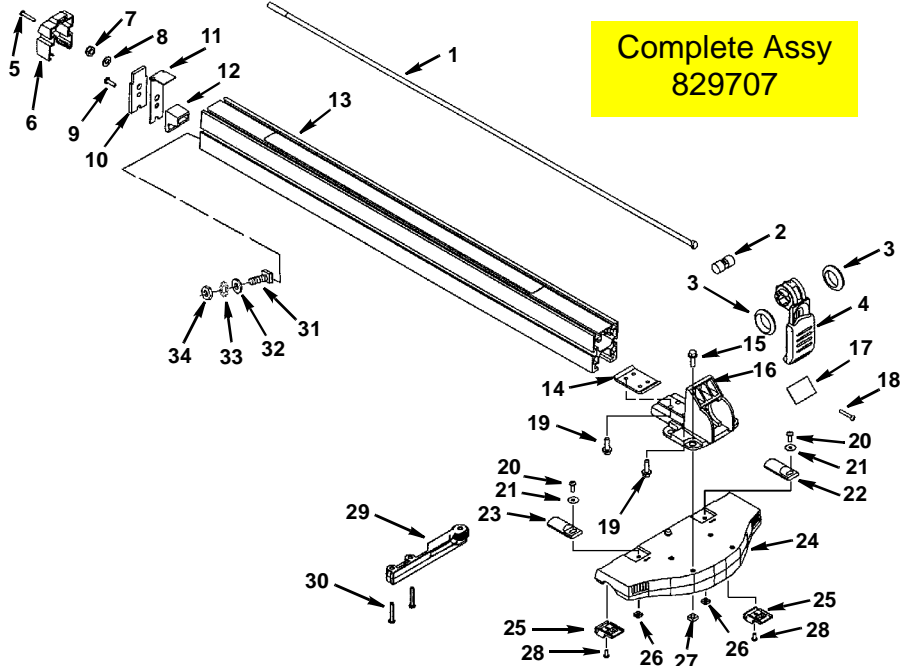
Key No.	Part No.	Description
1	804846-1	Support, Spreader
2	60204	Screw, Thumb 5/16-18 x 1
3	803422-166	* Pin, Roll 3/16 x 1-1/4
4	804966	Rod Spreader (Includes Roll Pin)
5	141669-31	* Screw, Socket Set 5/16-18 x 1/2
6	825914-2	Support, Guard
7	118614	* Nut, Hex 5/16-18
8	131201	* Lockwasher, External 5/16
9	126218	* Bolt, Carriage 5/16-18 x 3/4
10	60206	* Screw, Hex Ind. Wash. Hd. 1/4-20 x 1-1/2
11	60205	Spring
12	60014	* Washer, .380 x 47/64 x 3/32
13	63011	Washer, Knob Clamp
14	62295	Spacer
15	803309-2	* Screw Soc Set Lock 10-32 x 3/8
16	828081	Table, Trunnion
17	826454-1	Table, 10 In. Saw
18	826482	Blade, Saw 10" 40T Carbide
19	804667-1	Collar, Blade
20	6362	Nut, Arbor
21	824637-1	Stiffener Base
22	826392	Screw, Tilt
23	808277-7	* Screw, Pan Hd. 10-32 x 3/8
24	806752-13	* Screw, Pan Hd. Ty AB #10 x 1/2
25	60012	* Nut, Lock 10-32
26	829765	Eccentric Lever
27	828328	Screw, Hex. Wash. Hd. 3/8-16 x 1
28	829723	Retainer Bearing
29	826391	Nut, Tilt
30	63054	Ring, Retaining 3/4
31	37828	Spring, Clamp Screw
32	162000-1	Handle Clamp Screw
33	37829	Screw, Clamp

* Standard Hardware Item - May be purchased locally

Repair Parts

Parts List for RIDGID 10 Inch Table Saw Model No. TS36120

RIDGID parts are available on-line at www.ridgidparts.com
Figure 3 - Fence Assembly



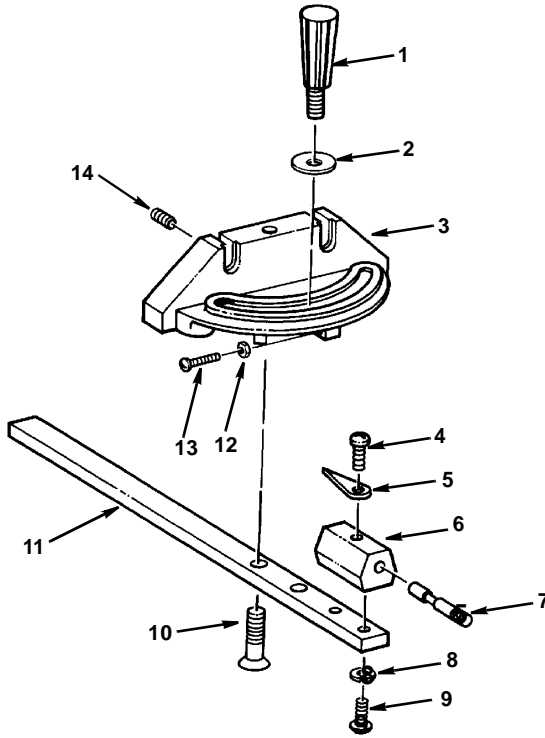
Always Order by Part Number - not by Key Number

Key No.	Part No.	Description	Key No.	Part No.	Description
1	824342	Rod, Fence Lock	19	9422329	Screw Hex Ty "T" 1/4-20 x 3/4
2	824329	Pin, Cam	20	809372-3	* Screw Pan Hd 10-32 x 1/2
3	824326	Bearing, Ball Angular Contact	21	60136	* Washer 13/64 x 3/8 x 1/32
4	829703	Level, Fence Lock	22	829702	Indicator, Rip Right
5	809492-5	* Screw Pan Cr Ty T 8-32 x 1	23	829702-1	Indicator, Rip Left
6	824350-1	Cap, Channel Rear	24	829700	Head Rip Fence
7	820129	* Nut Lock 5/16-18	25	827532	Slide Fence Head
8	274865	* Washer 21/64 x 5/8 x 1/16	26	822138-1	Nut Sq 10-32
9	9416390	* Screw Pan Hd. Ty "T" 10-32 x 5/8	27	62636	Nut Sq 1/4-20
10	824328-1	Plate, Lock	28	809169-3	* Screw Pan Hd Ty "T" 8-32 x 3/8
11	824332	Spring, Lock	29	829706	Micro Adjust Asm.
12	824349-1	Slide Rear Fence	30	806752-2	Screw Pan Cr Ty "T" 10-32 x 1-1/4
13	829898	Channel Fence w/Label	Hardware for Attaching Wood Facing		
14	824330-1	Plate Fence Channel	31	159653-3	Bolt Sq Hd 1/4-20 x 3/4
15	828173	Screw, Hex Wash Hd 1/4-20 x 3/4	32	805552	* Washer 17/64 x 5/8 x 1/16
16	829699	Housing, Rip Fence	33	114604	* Lockwasher, Ext 1/4
17	827876	Label RIDGID	34	115120	* Nut, Hex 1/4-20
18	809492-5	* Screw Hex Ty "T" 8-32 x 1			

* Standard Hardware Item - May be purchased locally

**Parts List for RIDGID 10 Inch Table Saw
Model No. TS36120**

RIDGID parts are available on-line at www.ridgidparts.com
Figure 4 - Miter Gauge Assembly



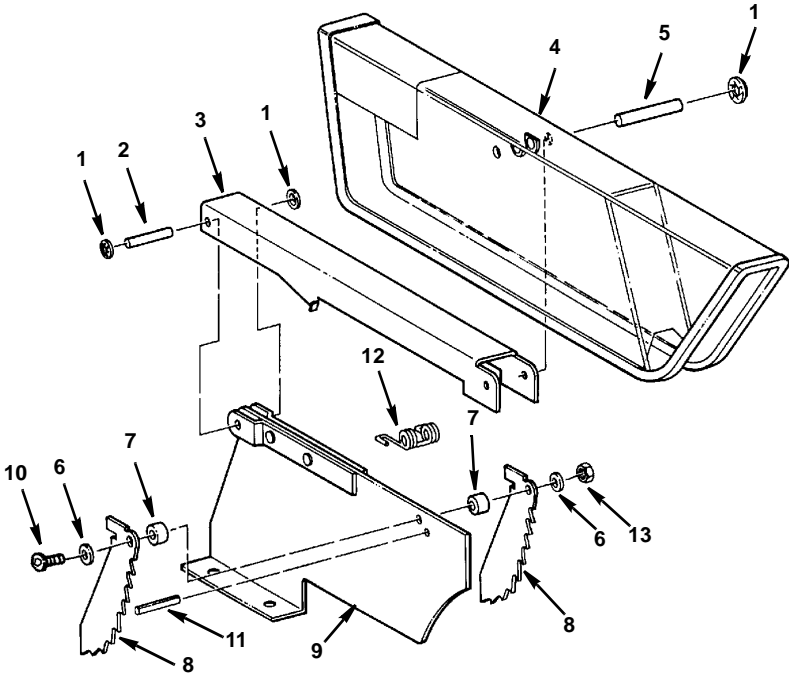
Always Order by Part Number - not by Key Number

Key No.	Part No.	Description
—	AC1021	Miter Gauge, Complete
1	826506	Knob
2	821063-5	* Washer 8mm x 23mm x 1.8mm
3	826663	Gauge, Miter
4	824723-1	* Screw, Pan Hd. 8-32 x 5/16
5	123069-1	Indicator
6	824573-1	Block, Miter Gauge Indicator
7	824570	Pin, Miter
8	140755-15	Lockwasher #8
9	824723	* Screw, Pan Hd 8-32 x 5/8
10	818470-4	Screw Flat Hd. M6 x 1 X 20
11	826662	Rod, Miter Gauge
12	134530	* Nut Hex 6-32
13	809813-4	* Screw Pan Hd. 6-32 x 5/8
14	818471-6	Screw, Hex Socket Set M5 x 0.8 X 5

**Parts List for RIDGID 10 Inch Table Saw
Model No. TS36120**

RIDGID parts are available on-line at www.ridgidparts.com

Figure 5 - Guard Assembly



Always Order by Part Number - not by Key Number

Key No.	Part No.	Description
-	829781	Guard Asm. Complete
1	60208	Nut, Push
2	62391	Pin 1/4 x 1-1/2
3	827649	Support, Guard
4	829899	Guard, Saw
5	62390	Pin, 1/4 x 1-3/4
6	805549	* Washer, 13/64 x 9/16 x 1/32
7	827646	Spacer, Pawl
8	827648-1	Pawl
9	804845-2	Spreader, Blade
10	806214-3	Screw, Soc Button Cap 10-32 x 7/8
11	803422-163	* Pin, Roll 3/16 x 15/16
12	62519	Spring, Pawl
13	60012	Nut, Lock 10-32
-	509507	Bag Asm, Guard

* Standard Hardware Item - May be purchased locally

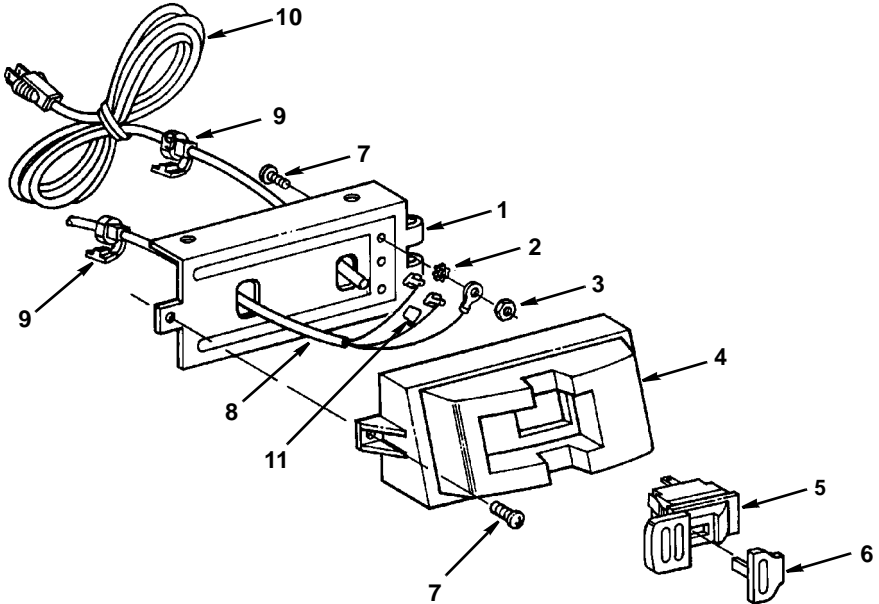
- Items Not Shown

Parts List for RIDGID 10 Inch Table Saw

Model TS36120

RIDGID parts are available on-line at www.ridgidparts.com

Figure 6 - ON-OFF Power Outlet



Always Order by Part Number - not by Key Number

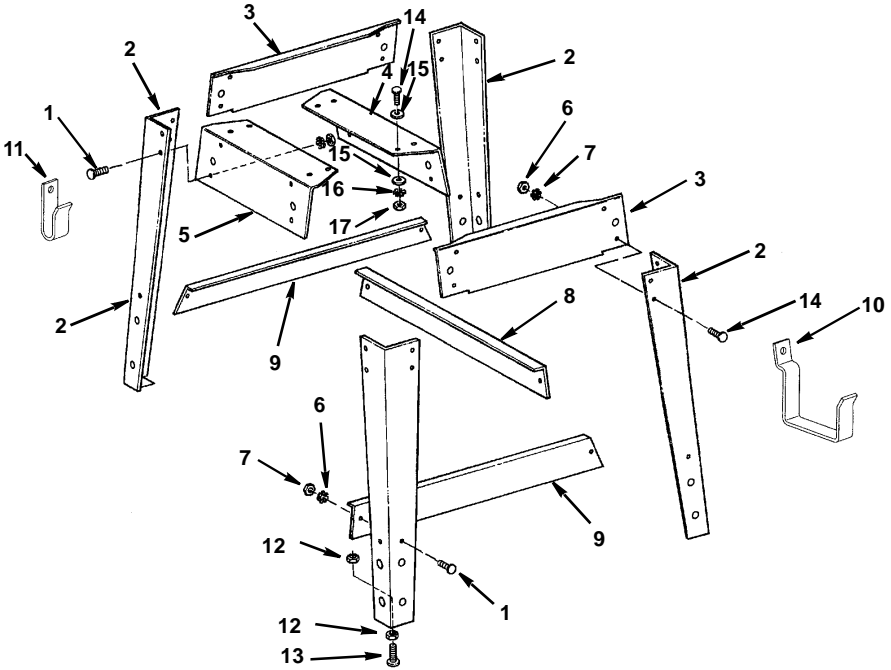
Key No.	Part No.	Description
1	822150-1	Bracket, Switch Housing
2	114603	* Lockwasher #10
3	120614	* Nut Hex 10-32
4	826121	Box Switch
5	826123	Switch Locking
6	826122	Key Switch
7	816333-2	* Screw, Pan Hd. Ty "T" 10-32 x 3/8"
8	826452-1	Cord
9	826450	Strain Relief
10	826451	Cord w/Plug
11	63467	Cap, Insulator

* Standard Hardware Item - May be purchased locally

Repair Parts

Parts List for RIDGID 10 Inch Table Saw Model No. TS36120

RIDGID parts are available on-line at www.ridgidparts.com
Figure 7 - Leg Set



Always Order by Part Number - not by Key Number

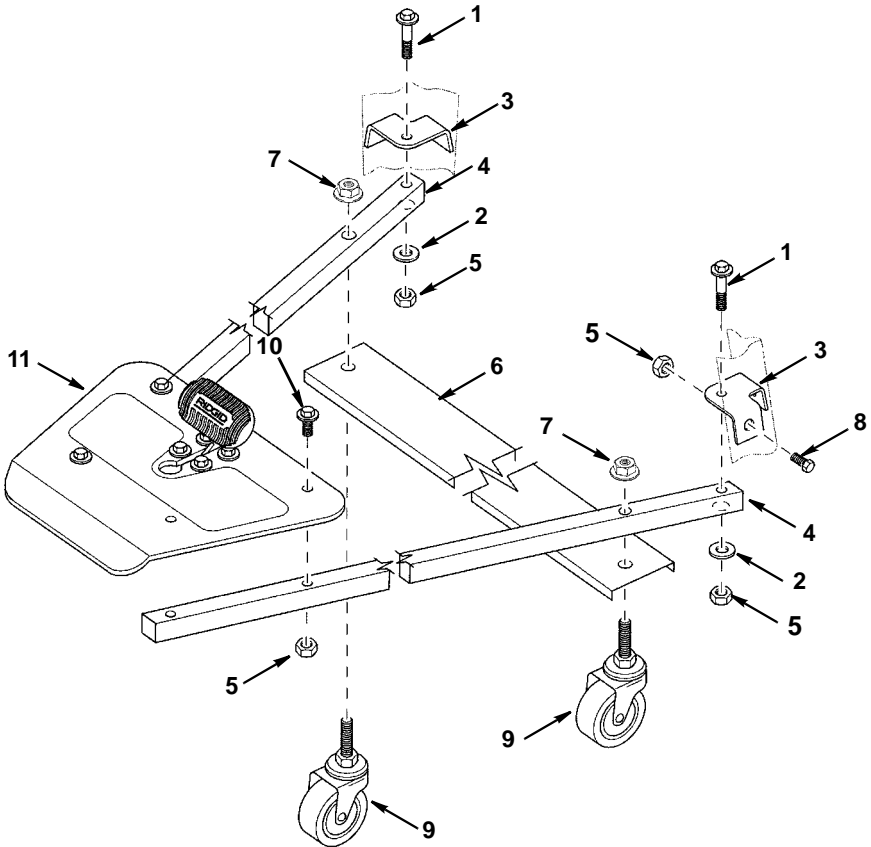
Key No.	Part No.	Description
1	805589-5	Screw, Serrated Truss Head. 1/4-20 x 1/2
2	826113-1	Leg
3	826116	Stringer, Side
4	826115	Stringer, End
5	509511	Stringer, End w/Label
6	115120	* Nut Hex, 1/4-20
7	114604	* Lockwasher 1/4
8	826114-1	Brace Leg (Short)
9	826114	Brace Leg (Long)
10	824832	Hanger, Miter Gauge
11	824833	Hanger, Rip Fence
12	118645	* Nut Hex 3/8-16
13	803835-3	Foot Leveling
Hardware for Attaching Legs to Saw		
14	60038	* Screw, Hex Hd. 5/16-18 x 1-1/4
15	118774	* Washer, 11/32 x 11/16 x 1/16
16	131201	* Lockwasher, Ext. 5/16
17	118614	* Nut, Hex 5/16-18
-	509589	Bag Asm, Legs

* Standard Hardware Item - May be purchased locally
- Items Not Shown

Repair Parts

Parts List for RIDGID 10 Inch Table Saw Model No. TS36120

RIDGID parts are available on-line at www.ridgidparts.com
Figure 8 - Upper Assembly



Always order by Part Number - Not by Key Number

Key No.	Part No.	Description
1	828793-3	Screw w/Washer 1/4-20 x 1-5/8
2	147579	* Washer 1/4 x 9/16 x 1/16
3	827843	Bracket Leg
4	827829	Tube Rear; 27" Long
5	161255-6	Nut Lock 1/4-20
6	827844	Channel Rear

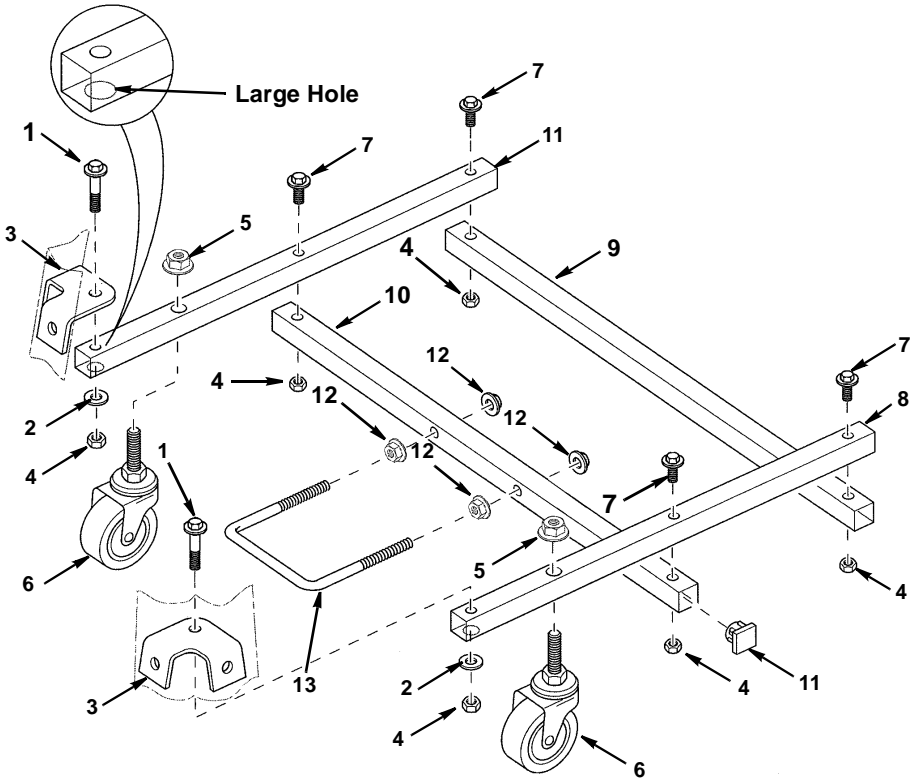
Key No.	Part No.	Description
7	828794-1	Nut Hex Flange 7/16-14
8	805461-2	* Screw Hex Hd 1/4-20 x 1/2
9	827851	Caster Swivel 3"
10	828793-1	* Screw w/Washer 1/4-20 x 1-1/2
11	—	Plate Asm (See Fig 3)

* Standard Hardware Item - May be purchased locally.

Repair Parts

Parts List for RIDGID 10 Inch Table Saw Model No. TS36120

RIDGID parts are available on-line at www.ridgidparts.com
Figure 9 - Lower Assembly



Always order by Part Number - Not by Key Number

Key No.	Part No.	Description
1	828793-3	Screw w/Washer 1/4-20 x 1-5/8
2	147579	* Washer 1/4 x 9/16 x 1/16
3	827843	Bracket Leg
4	161255-6	Nut Lock 1/4-20
5	828794-1	Nut Hex Flange 7/16-14
6	827851	Caster Swivel 3"
7	828793-2	* Screw w/Washer 1/4-20 x 2
8	827834	Tube Front; 13-7/8" Long

Key No.	Part No.	Description
9	827835	Tube Support; 17-1/4" Long
10	827836	Tube U Bolt; 19-5/8" Long
11	827850	Plug
12	828794	Nut Hex Flange 5/16-18
13	827837	Bolt U
-	827838	Bag Asm, (Nuts, Screws & Washers)
-	827853	Bag Asm, Loose Parts Contains 827838 Bag

* Standard Hardware Item - May be purchased locally.

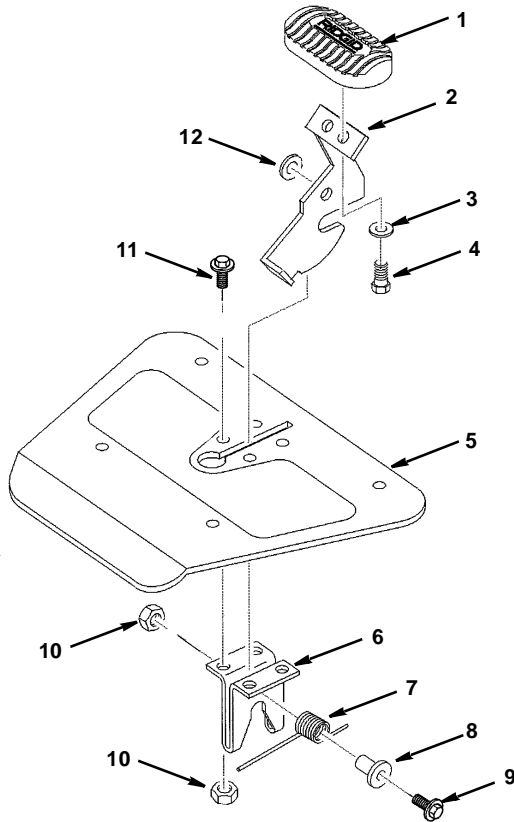
- Items Not Shown

Parts List for RIDGID 10 Inch Table Saw

Model No. TS36120

RIDGID parts are available on-line at www.ridgidparts.com

Figure 10 - Plate Assembly



Always order by Part Number - Not by Key Number

Key No.	Part No.	Description
1	827848	Foot Pedal
2	829516	Latch Cam
3	805550-2	* Washer 7/32 x 7/16 x 1/16
4	806742	* Screw Pan Hd Ty AB N10 x 1/2
5	827845	Plate Foot
6	827846	Bracket Latch

Key No.	Part No.	Description
7	827832	Spring Torsion
8	827833	Bushing Mandrel
9	828793-3	Screw w/Washer 1/4-20 x 1-5/8
10	161255-6	Nut Lock 1/4-20
11	828793-0	* Screw w/Washer 1/4-20 x 5/8
12	147579	* Washer 1/4 x 9/16 x 1/16

* Standard Hardware Item - May be purchased locally.