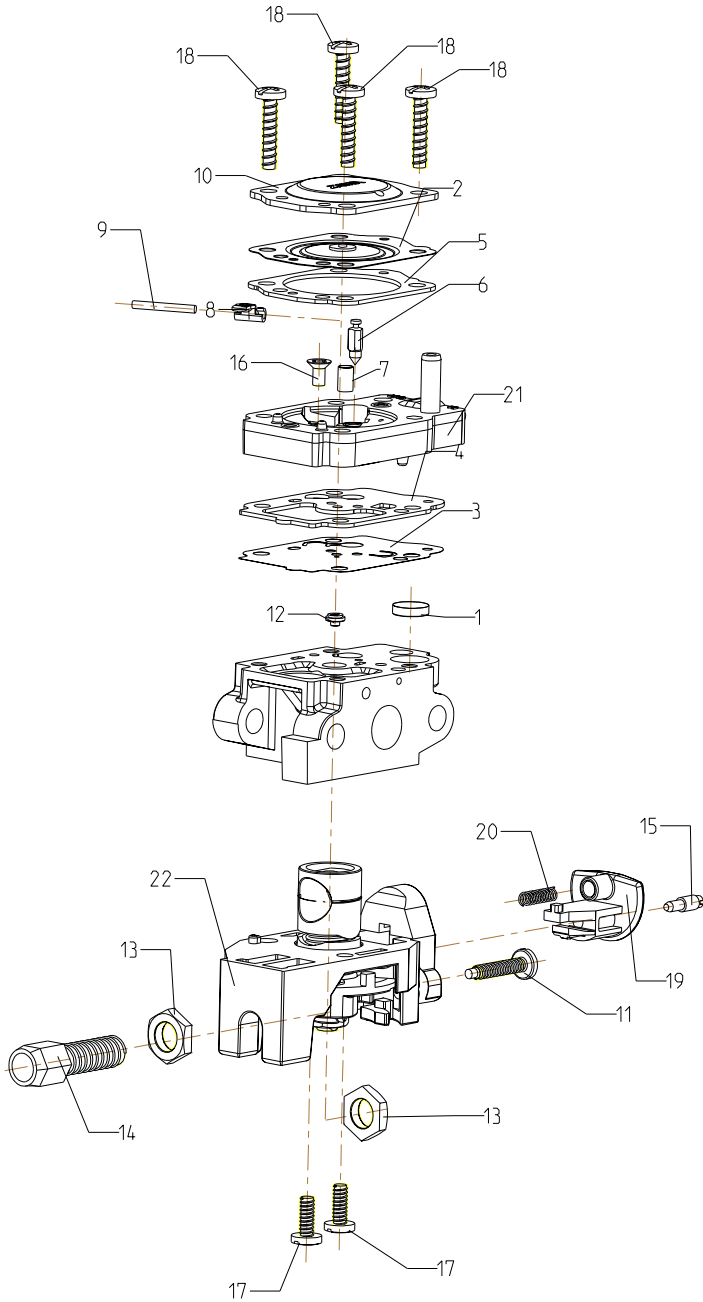


# PARTS LIST



RC1 TYPE

# RC1 TYPE



REF.NO	PART NAME
1	STRAINER
2	DIAPHRAGM ASS'Y, METERING
3	DIAPHRAGM, PUMP
4	GASKET, PUMP
5	GASKET, METERING CHAMBER
6	VALVE, INLET NEEDLE
7	SPRING, METERING LEVER
8	LEVER, METERING
9	PIN
10	COVER, METERING CHAMBER
11	SCREW, THROTTLE ADJUST
12	REMOTE JET
13	NUT, CABLE
14	SCREW, WIRE ADJUST
15	SCREW, LIFT ADJUST
16	SCREW (PIN)
17	SCREW
18	SCREW (METERING COVER)
19	ROD STARTER
20	SPRING
21	PUMP BODY ASS'Y
22	COVER SET, ROTOR

# PARTS LIST

# RC1 TYPE

REF	PART NAME		RC1 M45																
	Venturi		9 mm																
★	Rebuild Kit		RB-135																
●	Gasket & Diaphragm Kit		GND-74																
1	Strainer	★	0004033																
2	Diaphragm Ass'y, Metering	★●	A015043																
3	Diaphragm, Pump	★●	0015104																
4	Gasket, Pump	★●	0016092																
5	Gasket, Metering Chamber	★●	0016080																
6	Valve, Inlet Needle	★	0018004																
7	Spring, Metering Lever	★	0019002																
8	Lever, Metering	★	0020012																
9	Pin	★	0021001																
10	Cover, Metering Chamber		0028043																
11	Screw, Throttle Adjust		0035080																
12	Remote Jet		0070112																
13	Nut, Cable		0077001																
14	Screw, Wire Adjust		0080009																
15	Screw, Lift Adjust		0058022																
16	Screw (Pin)		149025055																
17	Screw		17103008																
18	Screw (Metering Cover)		17203015																
19	Rod Starter		0089004																
20	Spring		0054059																
21	Pump Body Ass'y		A049029																
22	Cover Set, Rotor		S078001																